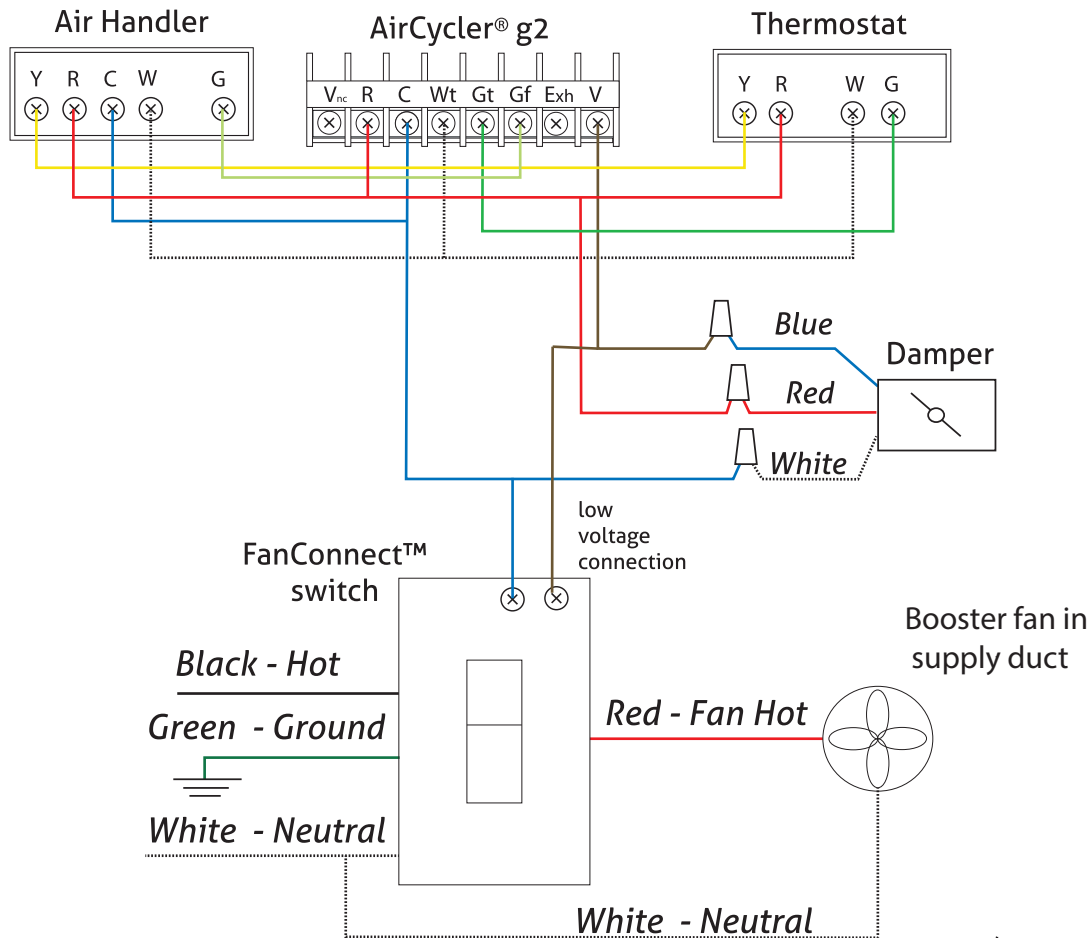


# AIRCYCLER® WIRING for adding a booster fan

USING A FANCONNECT SWITCH



Booster fan will come on anytime damper is open.

## KEY

R - 24VAC Power

C - Common

W - Heating

Gt - Fan From Thermostat

Gf - Fan To Furnace

V - Vent

Ex - Exhaust Fan

Vnc - Normal Closed Vent

(To power spring-return dampers that are normally open)