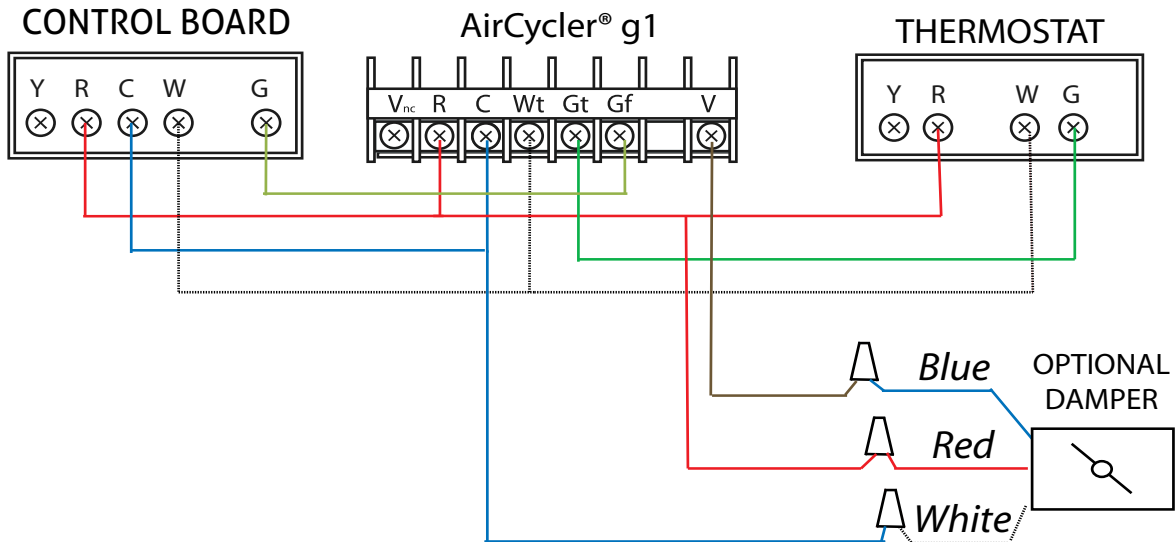


AIRCYCLER® G1 WIRING DIAGRAM

DUCTED MINI SPLIT WIRING



KEY
R - 24VAC Power
C - Common
W - Heating
G _t - Fan From Thermostat
G _f - Fan To Furnace
V - Vent
V _{nc} - Normal Closed Vent