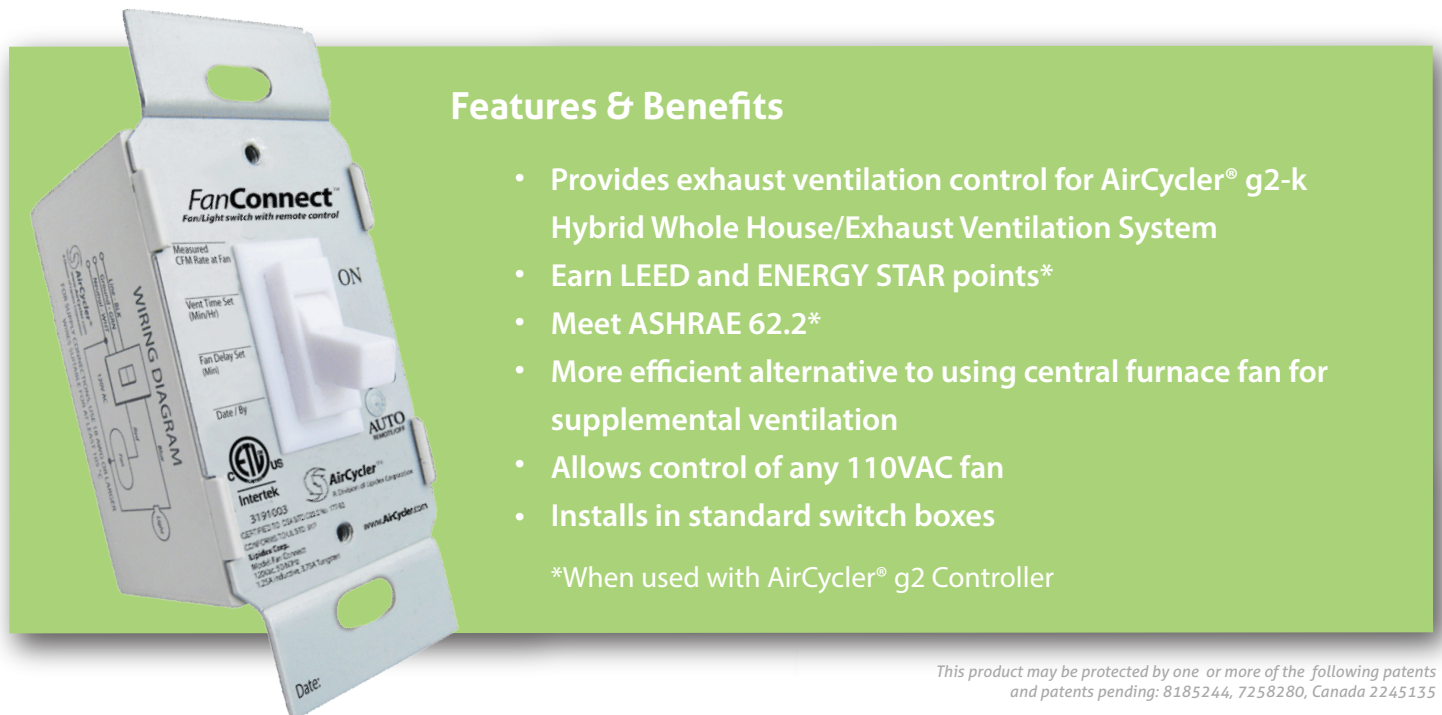


# FanConnect™

## Bath Fan/Light Switch for use with AirCycler® g2 Controller

Designed for use with the AirCycler® g2-k Whole House Ventilation System, the FanConnect™ Bath Fan/Light Switch is a simple on/off switch to control the bath fan and light and also serves as a connector between the AirCycler® g2 and bath fan to provide whole house exhaust ventilation when needed.



### Features & Benefits

- Provides exhaust ventilation control for AirCycler® g2-k Hybrid Whole House/Exhaust Ventilation System
- Earn LEED and ENERGY STAR points\*
- Meet ASHRAE 62.2\*
- More efficient alternative to using central furnace fan for supplemental ventilation
- Allows control of any 110VAC fan
- Installs in standard switch boxes

\*When used with AirCycler® g2 Controller

*This product may be protected by one or more of the following patents and patents pending: 8185244, 7258280, Canada 2245135*

### Product Details

The FanConnect™ switch can be wired to both a bath fan and light to control both functions with one simple switch and is designed to communicate with the AirCycler® g2 controller to allow for “remote” bath fan control.

As part of the AirCycler® g2-k Hybrid Whole House/Exhaust Ventilation System, the FanConnect™ communicates with the AirCycler® g2 to log how many minutes per hour the bath fan is run, and powers the bath fan to turn on if whole house ventilation requirements for the hour are not met. By utilizing the FanConnect™ as a communicator between the bath fan and the AirCycler® g2, supplemental ventilation can be achieved without use of the larger furnace fan and any regular use of the bath fan is counted toward ventilation requirements.

Additionally, when the FanConnect™ is used as part of the AirCycler® g2-k System the fresh air damper is opened any time the bath fan is on, providing a known source of fresh air. There is also the option to set a delay fan run time after the FanConnect™ has been turned off.

### Specifications

- Light:**  
450 Watts @ 120VAC
- Fan:**  
150 Watts @ 120VAC
- Operation:**  
120 VAC 60hz ± 10%



[www.AirCycler.com](http://www.AirCycler.com) | 1.877.FAN.CONTROL

# The Complete AirCycler® g2 with FanConnect™ Electrical Diagram

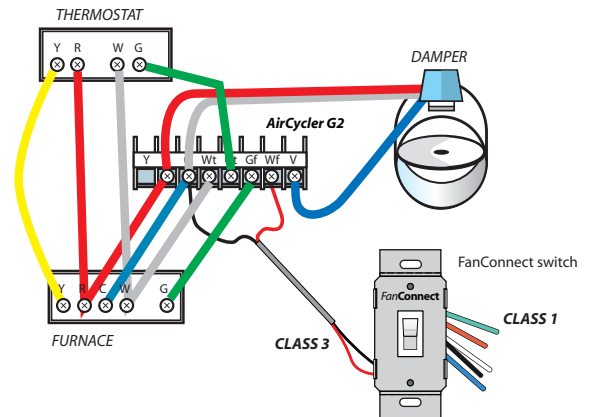


Power for the g2 controller, damper and FanConnect™ switch comes from the 24VAC supply in the furnace.

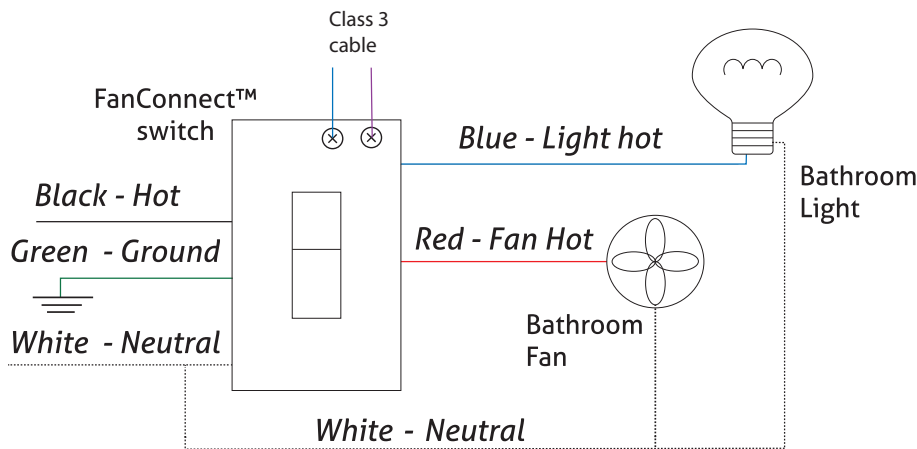
The damper draws only 35mA during the 15 seconds it takes to open or close.

The relay in the FanConnect™ switch draws 100mA when the controller is activating the bath fan.

All can be wired with standard Class 3 cable\*.



## FanConnect™ Switch Wiring

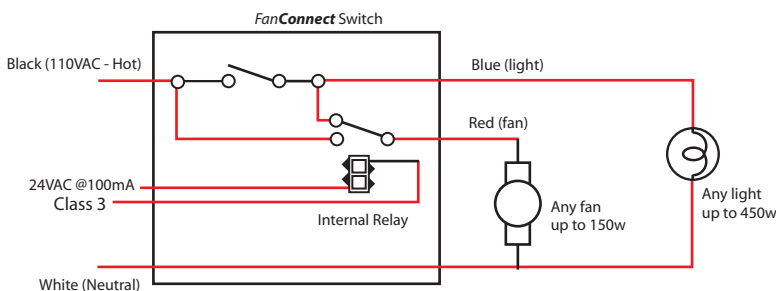


The switch requires an always hot 110VAC feed. (Black wire & White neutral wire)

The Blue 110VAC switch leg (load) powers the light circuit. It is a simple mechanical contact within the toggle switch. It can handle up to 450 Watts.

The Red 110VAC switch leg (load) powers the fan. This is also a mechanical contact within the internal relay. It can handle up to 150 Watts. Works fine with DC fans.

## Inside the FanConnect™ Switch



Inside the FanConnect™ switch is a 24VAC relay to control the 110VAC bath fan.

Anytime the light switch is turned on, the fan circuit is energized supplying power to the fan.

The AirCycler® g2 controller can:

- Read when the bath fan is on and track that time.
- Turn fan on for a delay time after bathroom is used.
- Turn fan on for a programmed amount of time every hour to meet ventilation requirements.



Clock-Operated Switches (UL 917 5th Ed., Rev. October 7, 2009) & Clock-Operated Switches (CAN/CSA C22.2 No. 177-92, Rev. October, 2000)

\*NEC 725.136(D)2