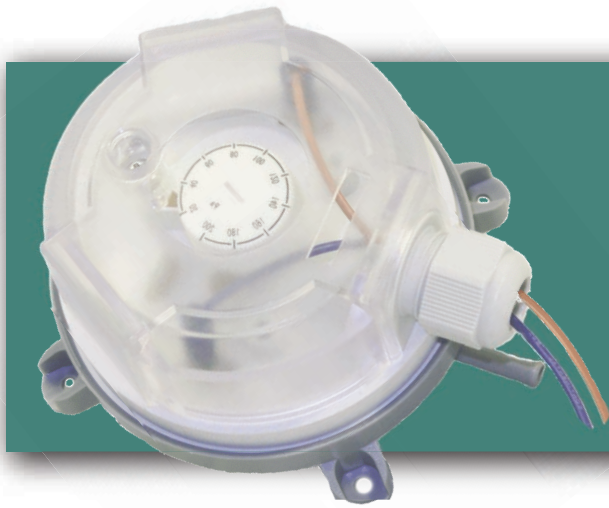


RangeRelief™

Rangehood Pressure Relief Control Switch

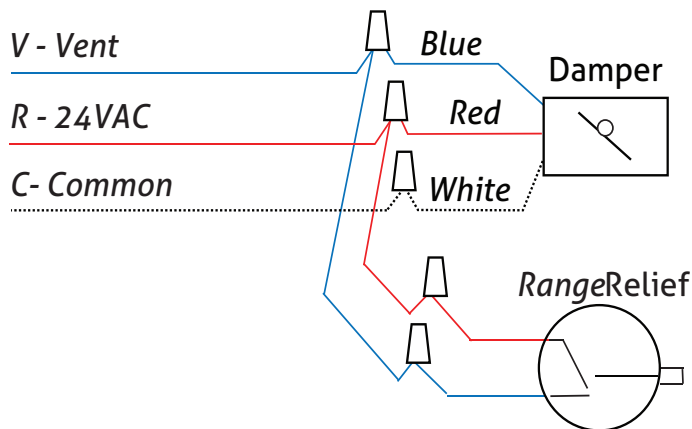
The RangeRelief™ Rangehood Pressure Relief Control Switch works with any AirCycler® motorized damper-based system to provide automatic rangehood pressure relief. By simply installing the RangeRelief™ Pressure Switch with the already existing motorized damper, RangeRelief will open the damper allowing make up air to enter, as soon as the rangehood is turned on.



Features & Benefits

- Simple, low cost solution for solving depressurization issues
- Compatible with any AirCycler® motorized damper-based system
- Adjustable over a wide-range of pressure, 20-200 Pa
- Easy two wire installation

Wiring Diagram



Specifications

Max Operating Pressure
10kPa

Pressure Range
20 ~ 200 Pa ±15%

Operating Temperature
-40°C to 85°C

Electrical Rating
1.5A (0.4A) / 250V

Mounting
Diaphragm in any vertical plane

Part No:	Description:
ACRR	RangeRelief Rangehood Pressure Relief Control Switch

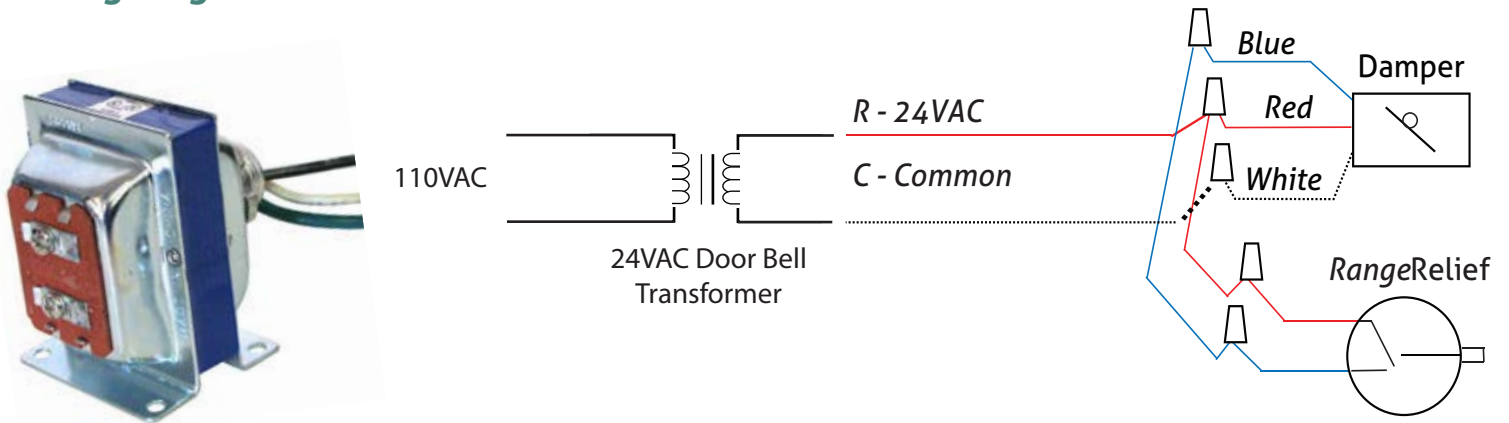


Optional Wiring for Use Without AirCycler® Furnace Fan Controller

Typically, the *RangeRelief* is installed with the full AirCycler® motorized damper-based system, which includes a motorized damper and AirCycler® furnace fan controller. The controller supplies the power to the motorized damper.

If you are installing the *RangeRelief* without an AirCycler® furnace fan controller, we recommend using a doorbell transformer to power the motorized damper. See wiring diagram below.

Wiring Diagram



Purchase the *RangeRelief* and AirCycler® motorized damper in one convenient kit (doorbell transformers should be purchased separately)

Part No:	Description:
ACRR-6	<i>RangeRelief</i> Rangehood Pressure Relief Control Switch & AirCycler® 6" motorized damper
ACRR-4	<i>RangeRelief</i> Rangehood Pressure Relief Control Switch & AirCycler® 4" motorized damper
ACRR-8	<i>RangeRelief</i> Rangehood Pressure Relief Control Switch & AirCycler® 8" motorized damper
ACRR-10	<i>RangeRelief</i> Rangehood Pressure Relief Control Switch & AirCycler® 10" motorized damper

