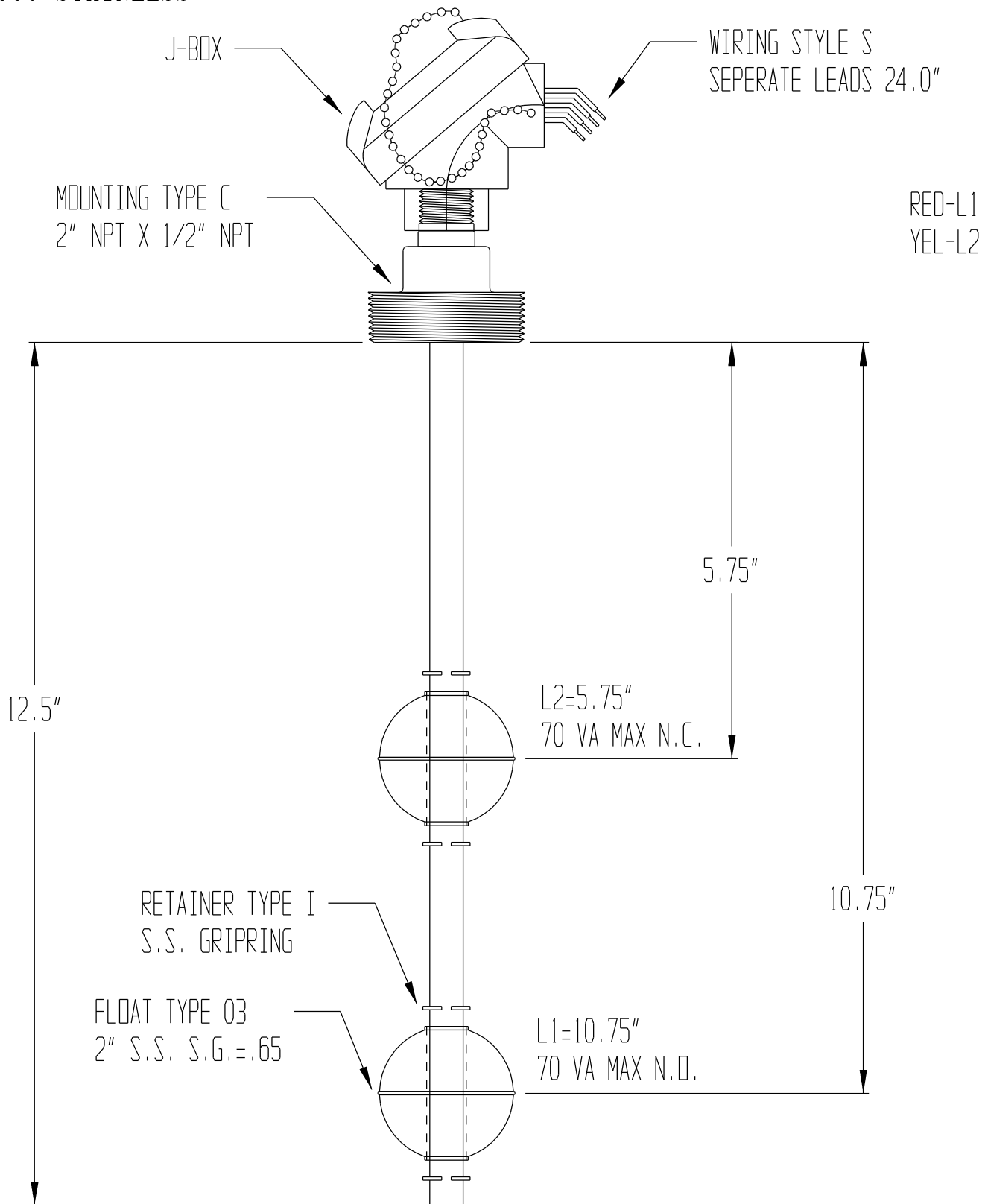


SERIES 2000 STAINLESS



PLEASE NOTE:

THIS DRAWING AND SPECIFICATION IS THE PROPERTY OF INNOVATIVE COMPONENTS, LLC. AND IS TO BE USED SOLELY AS A TECHNICAL REFERENCE BY INNOVATIVE COMPONENTS' CUSTOMERS. ANY REPRODUCTION OR DISTRIBUTION TO THE CONTRARY IS PROHIBITED.

SIGNATURE OF APPROVAL _____ DATE _____
 PRINT: _____
 SIGN: _____

	INNOVATIVE COMPONENTS	
	384 OLD TURNPIKE ROAD, P.O. BOX 294 SOUTHINGTON, CT. 06489	

TITLE: **STAINLESS STEEL MULTILEVEL**

MODEL: 21-C-0312	DRAWN BY: F. J. K.
-------------------------	---------------------------

STOCK: 92272	SHEET: 1 OF 1
---------------------	----------------------

FILENAME: C:\CK7\PRN\CLUST\92272	REV: _____
---	------------

STANDARD TOLERANCES
 .000 = ± .010
 .00 = ± .050
 .0 = ± .100
 0 = ± .200
 ANGLES ± 5°
 TEMP ± 5°C