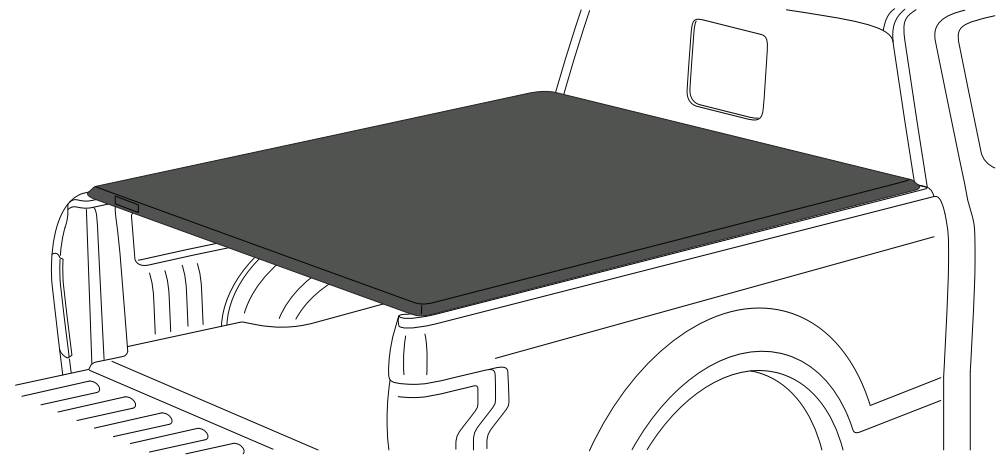




ASSEMBLY INSTRUCTIONS



Soft Roll-up Tonneau Cover

Part List

	5ft	5.5ft-6.5ft	8ft	
①		X1		Cover Roll Assembly
②		X2		Side Rail
③	X4	X6	X8	Mounting Clamp
④	X4	X6	X6	Clamp Foam Pad
⑤		X1		Seal Strip
⑥		X1		4mm Hex Drive
⑦		X1		LED Light

⚠ Warning:

1. Tonneau cover must be completely secure in the closed position or opened position while driving. **DO NOT DRIVE** with cover in partially opened position.
2. Clean the debris before roll up the tonneau cover.
3. Period check to ensure all clamps remain secure and tight.
4. Remove the tonneau cover before tow the truck from rear.

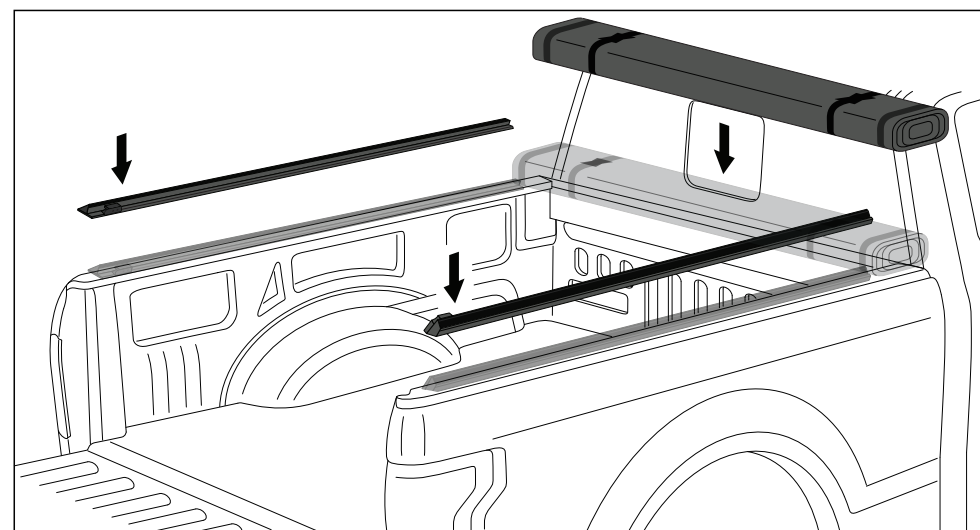
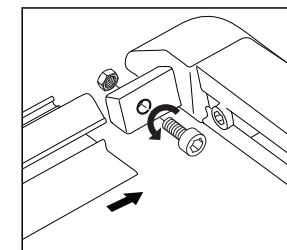
Step 1:

Clean the bulkhead and bedrail before installation.

Step 2:

1. Place cover roll assembly on front truck bed rail against the cab.
2. Loosen the screw on mounting tab and slide into side rail.

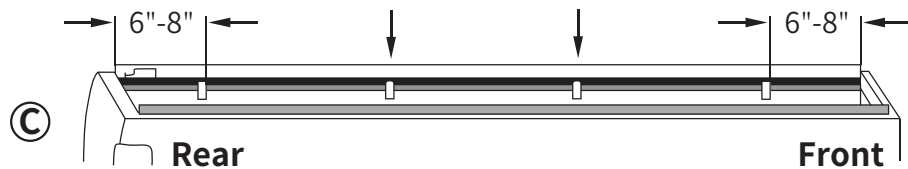
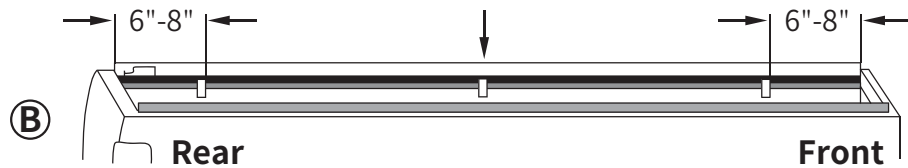
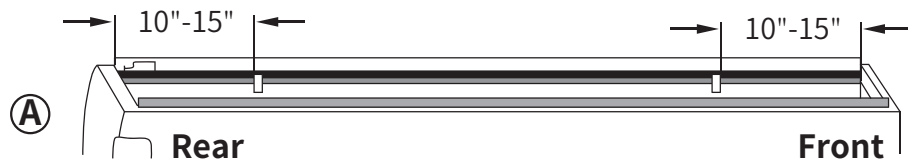
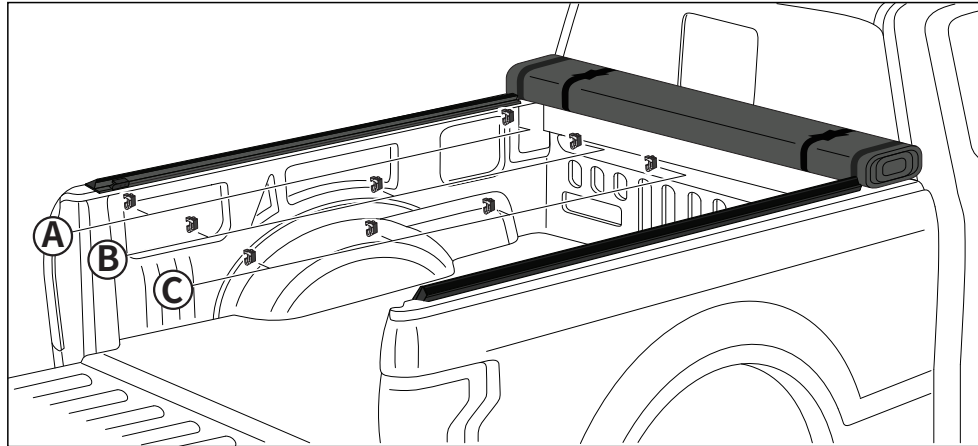
3. Reinstall the screw to attach the side rail to cover roll assembly.



Step 3:

1. Attach the clamps to the side rail and truck bed rails.
2. Stick clamp foam pad onto bed rail for painting protection.

- A: Short Bed
- B: Standard Bed
- C: Long Bed



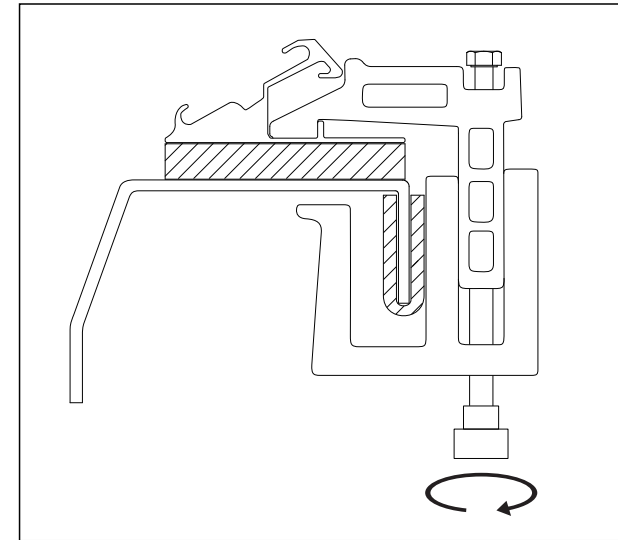
Step 4:

1. Tighten the clamps after whole cover assembly in place.

Note:

Hand tight ONLY, do not use power tools.

Clamps may vary by specific vehicles.

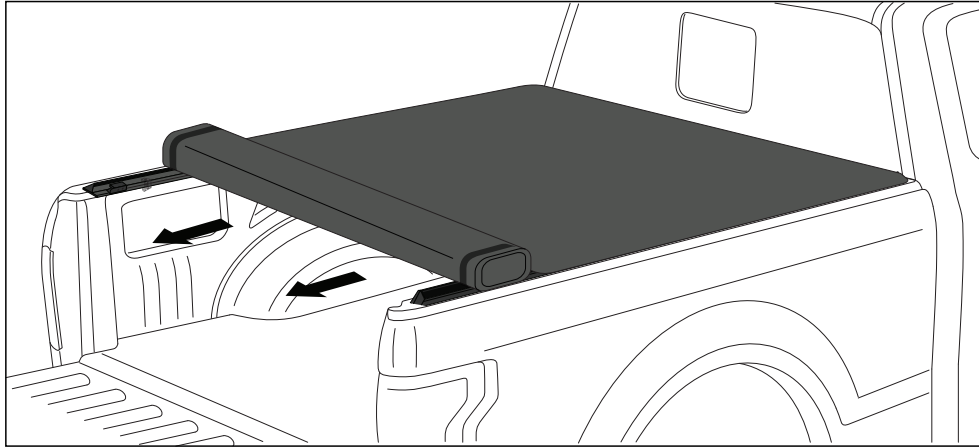


Step 5:

1. Unlock the safety straps.
2. Roll the cover over the side rails.

Note:

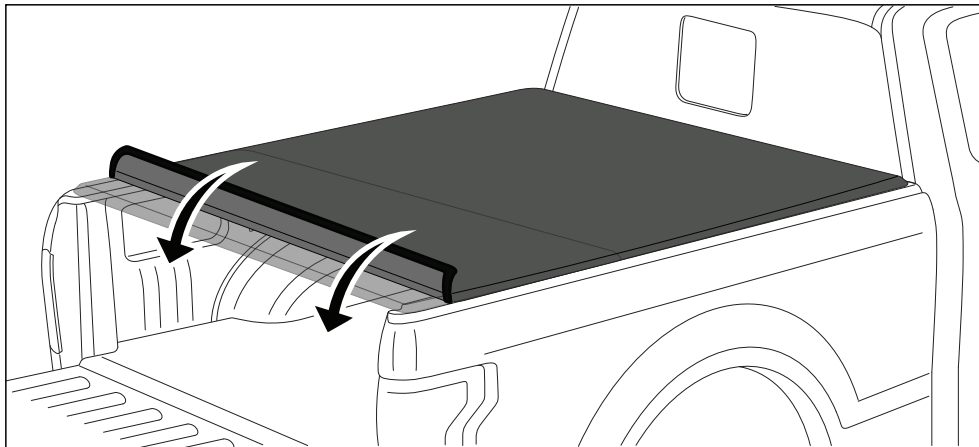
Do NOT offset the cover off the side rails.



Step 6:

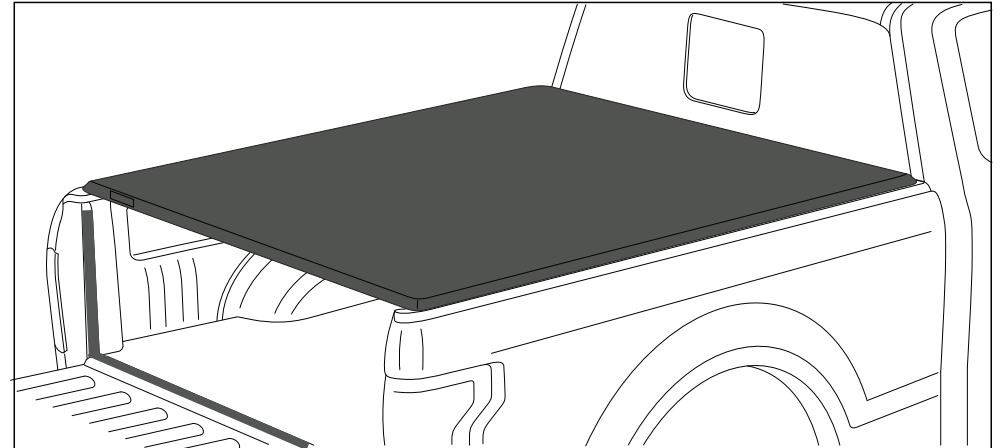
1. Push down the end of cover to close.

Note:
Latch the cover with tailgate open.



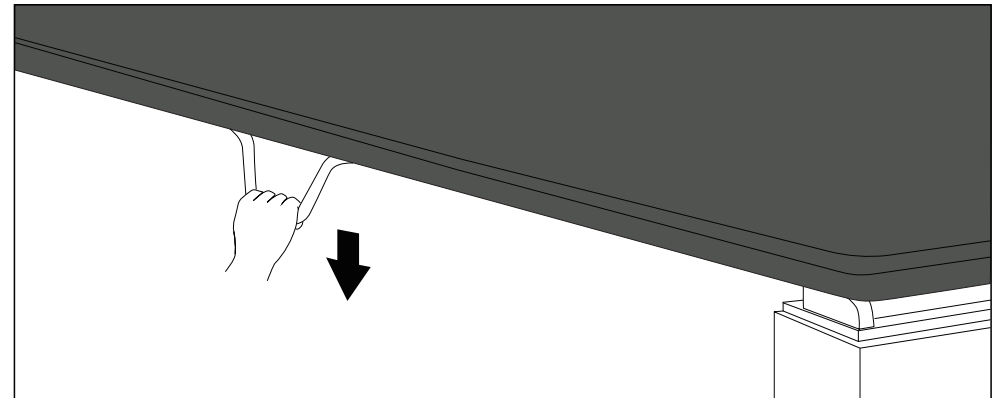
Step 7:

1. Press along the edge to secure the Velcro tape.
2. Seal the tailgate using weather seal strip.



Step 8:

1. Pull the cable to unlatch the cover.

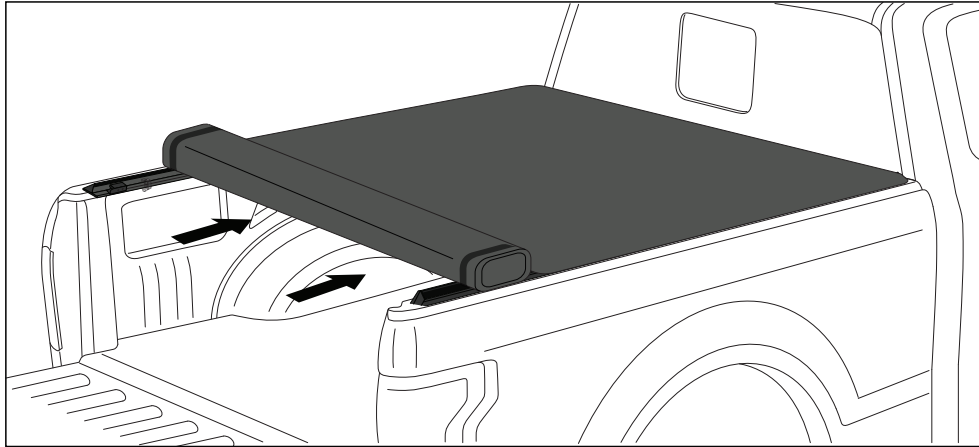


Step 9:

1. Carefully roll up the cover. Do not off-set the cover off the side rail.
2. Secure the cover roll with safty straps.

Note:

Clean the snow and any debris before roll up the cover.

**Tension Control Unit**

The cover assembly has been set a moderate tension to keep the cover tight and wrinkles free.

If you wish to adjust the tension, simply loosen the socket head bolt on the tension plate and slide the plate.

