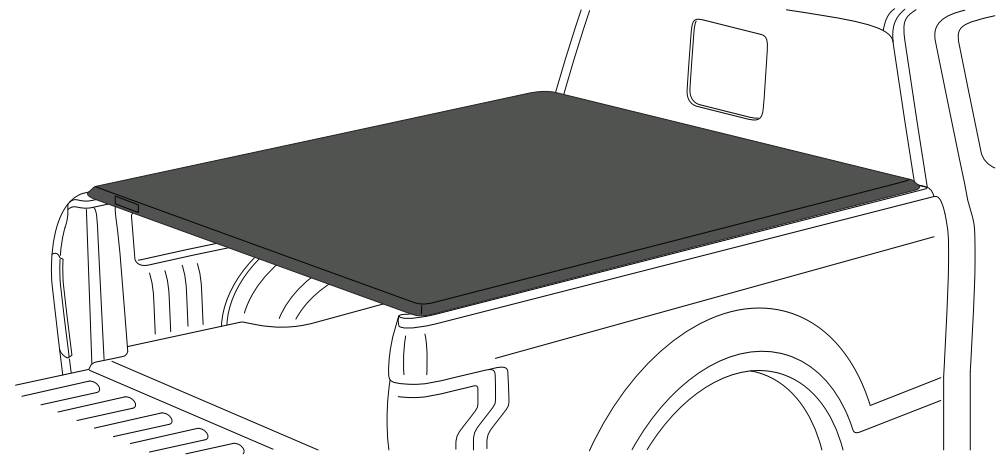




ASSEMBLY INSTRUCTIONS



Soft Roll-up Tonneau Cover

Part List

	5ft	5.5ft-6.5ft	8ft	
①		X1		Cover Roll Assembly
②		X2	X4	Side Rail
③	X4	X6	X8	Mounting Clamp Set
④	X4	X6	X8	Clamp Foam Pad
⑤		X1		Seal Strip
⑥		X1		4mm Hex Drive
⑦		X1		LED Light
⑧		X2		Replacement Bolt

⚠ Warning:

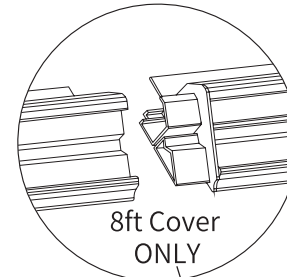
1. Tonneau cover must be completely secure in the closed position or opened position while driving. **DO NOT DRIVE** with cover in partially opened position.
2. Clean the debris before roll up the tonneau cover.
3. Professional installation would be highly recommended.
4. Period check to ensure all clamps remain secure and tight.
5. Remove the tonneau cover before tow the truck from rear.
6. Make sure the locking clip on both sides are completely inserted into the side rails to avoid the end of the cover becoming unlatched.

Step 1:

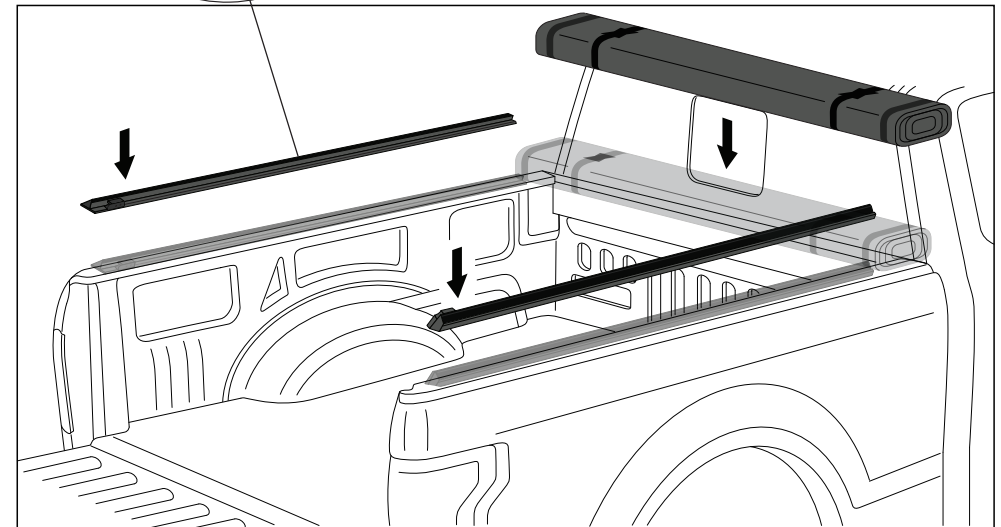
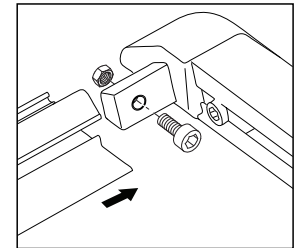
1. Clean the bulkhead and bedrail before installation.
2. For Tacoma truck stick the seal sticker on the bulkhead bar.
3. Stick the seal strip onto the bulkhead.

Step 2:

1. Place the cover roll assembly on the front truck bed rail against the cab.
2. Loosen the screw on mounting tab and slide into side rail.
3. Re-install the screw to attach the side rail to cover roll assembly.



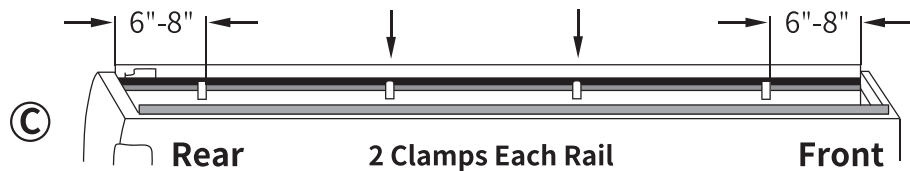
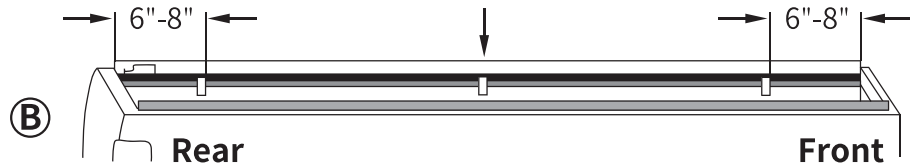
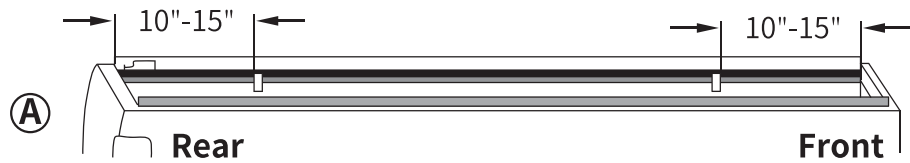
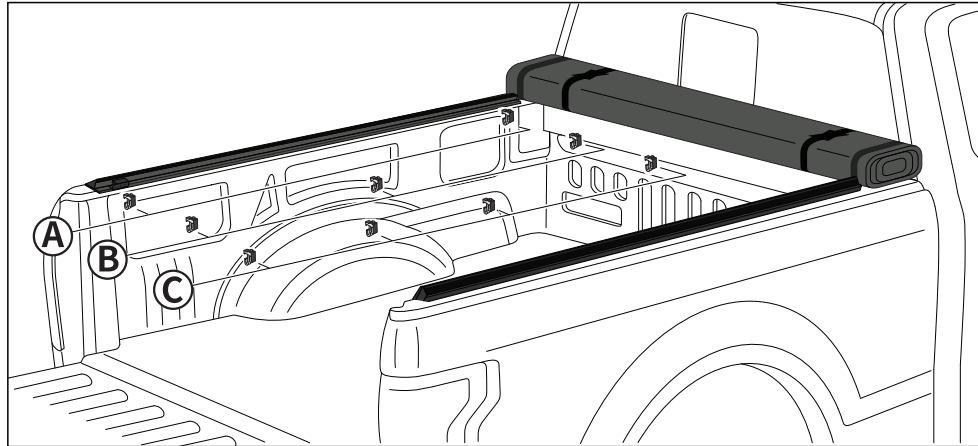
⚠ Make sure the mounting tab is fully inserted.



Step 3:

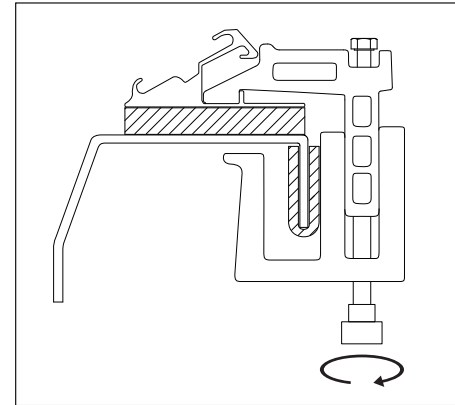
1. Attach the clamps to the side rail and truck bed rails.
2. Stick the clamp foam pad onto bed rail for painting protection.

- A: Short Bed
- B: Standard Bed
- C: Long Bed

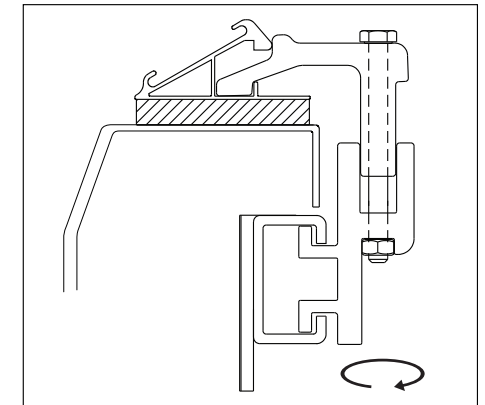


Step 4:

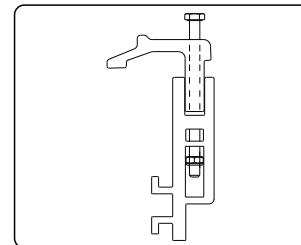
1. Tighten the clamps after whole cover assembly in place.
Hand tight ONLY, do not use power tools.



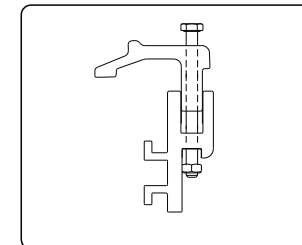
Without Utility Rail



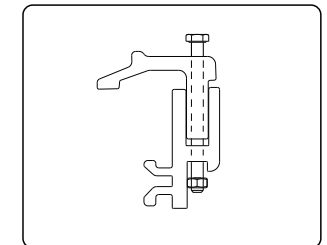
With Utility Rail



For Nissan Frontier



For Nissan Titan



For Toyota/Jeep

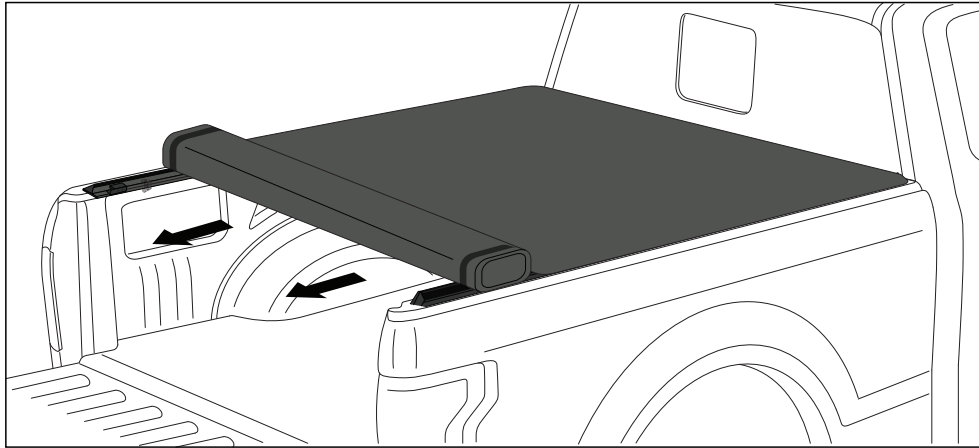
Step 5:

1. Unlock the safety straps.
2. Roll the cover over the side rails.

Note:
Do NOT offset the cover off the side rails.



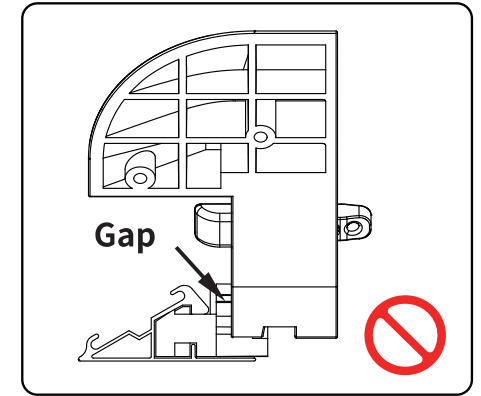
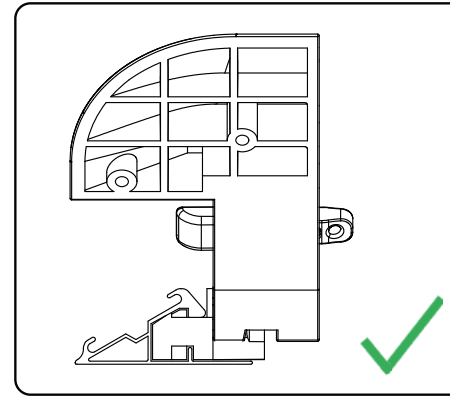
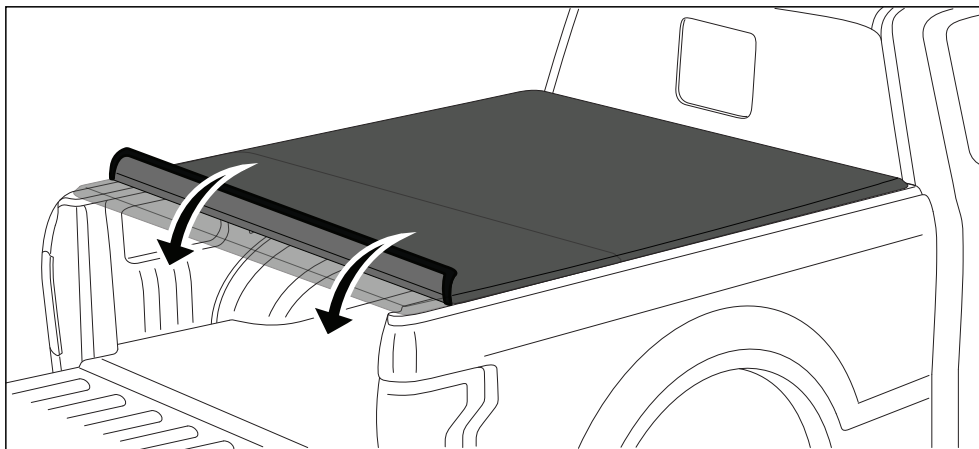
For Frontier and Gladiator trucks, select proper lower clamp depending on vehicle with or without utility rails.




Step 6:

1. Push down the end of cover to close.

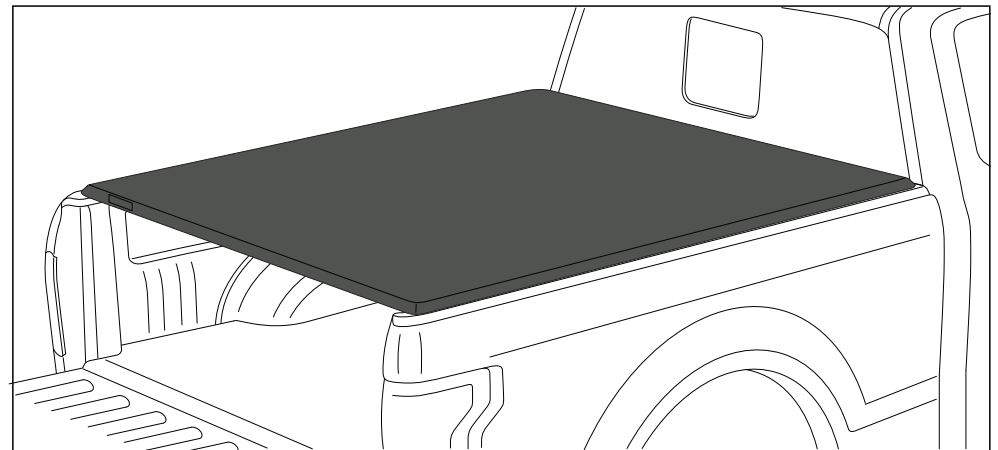
Note:
Latch the cover with tailgate open.



 Make sure the locking clip on both sides are completely inserted into the side rails to avoid end of the cover becoming unlatched.

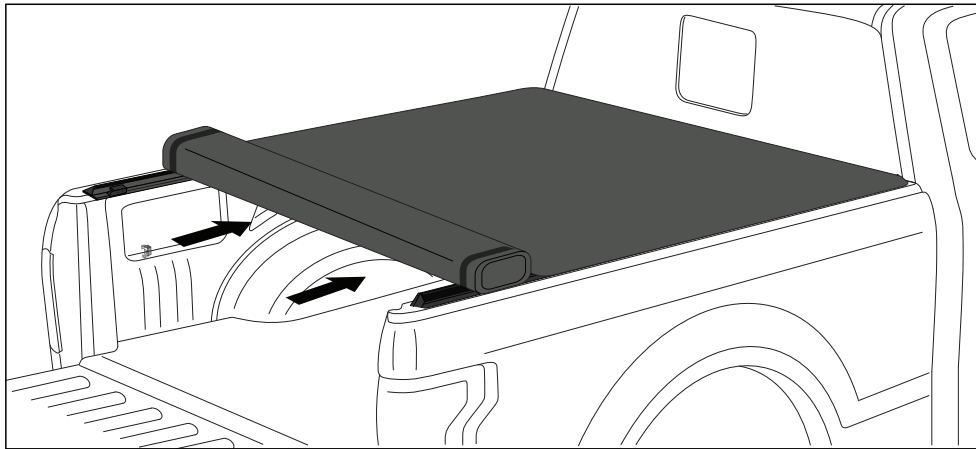
Step 7:

1. Press along the edge to secure the Velcro tape.



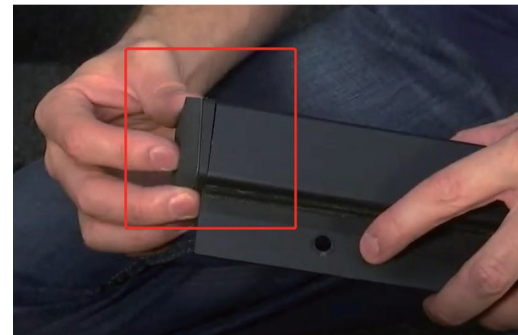
Step 8:

1. Clean the snow and any debris before roll up the cover.
2. Pull the cable to unlatch the cover.
3. Carefully roll up the cover. Do not off-set the cover off the side rail.
3. Secure the cover roll with safty straps.



Special Instruction for Tacoma Trucks:

1. Remove the bulkhead bar.
2. Stick the seal on both ends of bar.
3. Install the buckhead bar back.

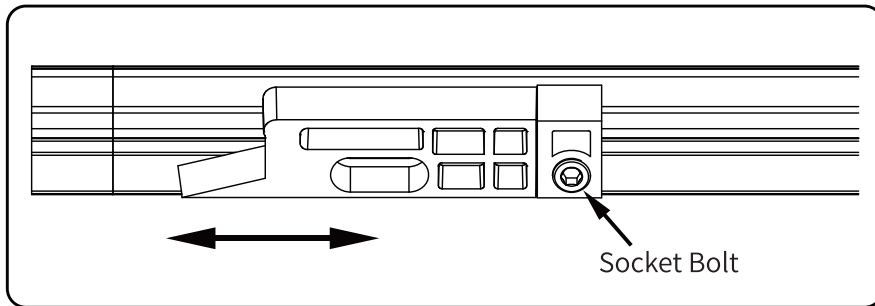


Maintain and Repair

Tension Adjustment:

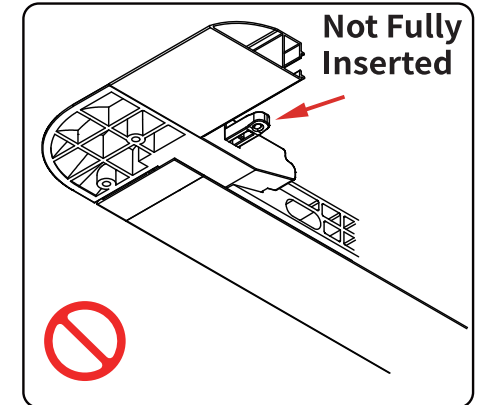
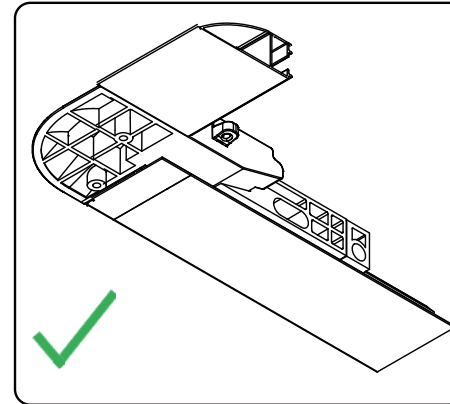
The cover assembly has been set a moderate tension to keep the cover tight and wrinkles free.

If you wish to adjust the tension, simply loosen the socket head bolt on the tension plate and slide the plate.

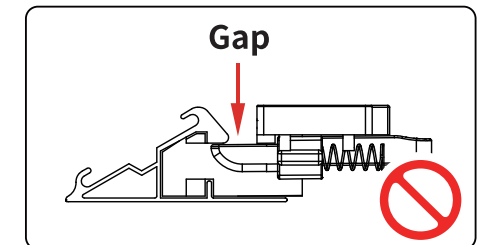
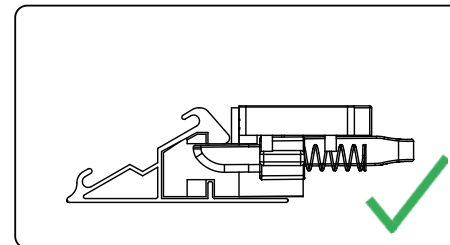


If Cover Doesn't Stay In Latched:

1. Make sure the locking clip is fully inserted. Check both sides.



2. Adjust the tension control unit towards the tailgate at both side.



3. If the locking clip still not fully inserted, loosen mounting clamps and adjust side rails close to cover rear latch end.

4. Re-tighten mounting clamps after the cover latched.