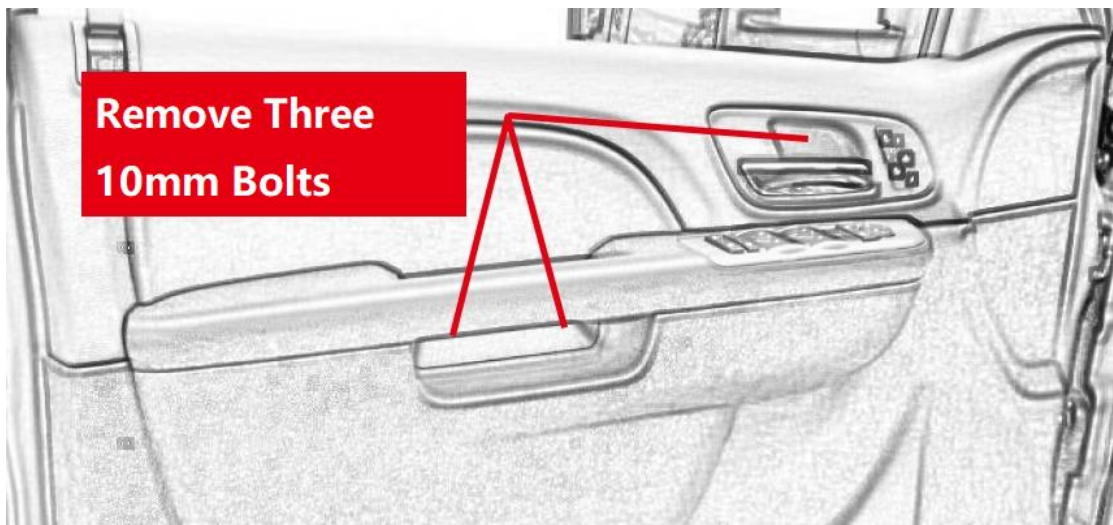


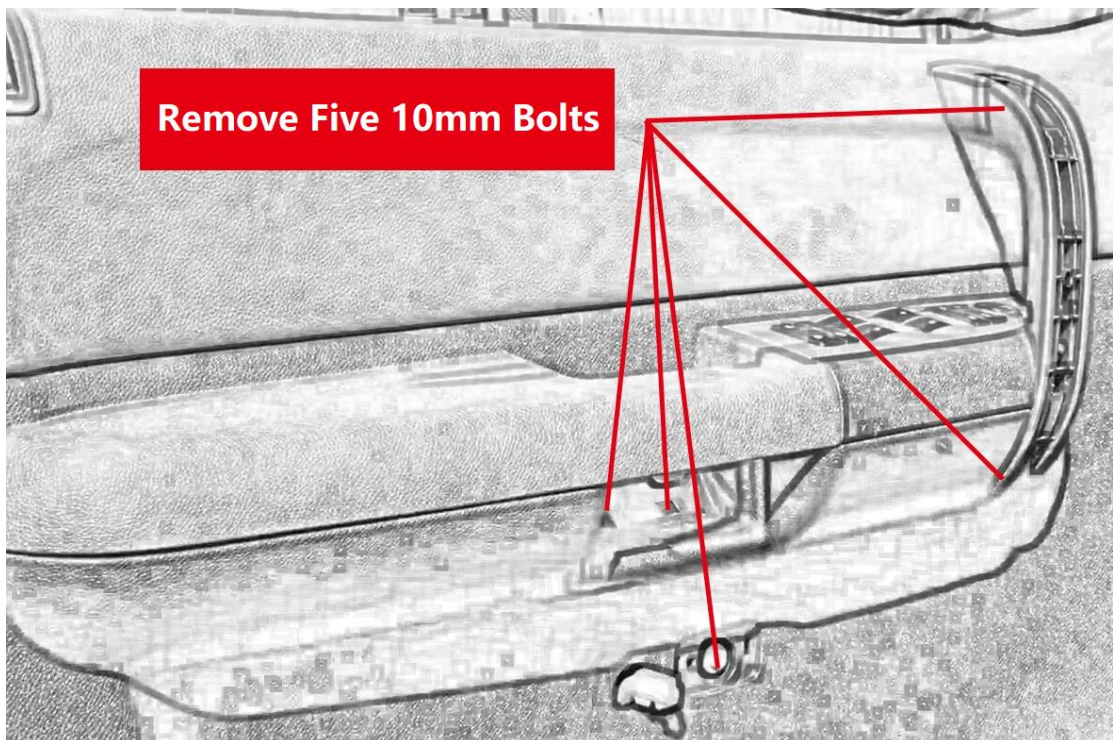
07-13 Chevy Silverado GMC Sierra Tow Mirrors Installing & Wiring Diagram

1. Screws location

- 1.1. Two kinds of door trim.
- 1.2. Remove three 10mm bolts



- 1.3. Remove door handle and plastic cover.
- 1.4. Remove five 10mm bolts.

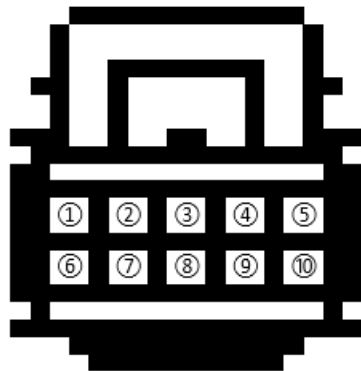


2. Wiring Diagram

2.1. For models with power fold and puddle light functions, connect the mirror plug on the back of mirror switch panel.

2.2. For models without power fold function, connect the mirror plug on the female connector on door harness.

2.3. Main Plug (**Rear View**)



- ①②⑥ Mirror Motor
- ③ Mirror Heater
- ④ Not Used
- ⑤ LED Signal Light
- ⑦ Mirror Heater
- ⑧⑨ Not Used
- ⑩ Signal Ground

2.4. Small AUX Plug



Female Plug on Mirror Base



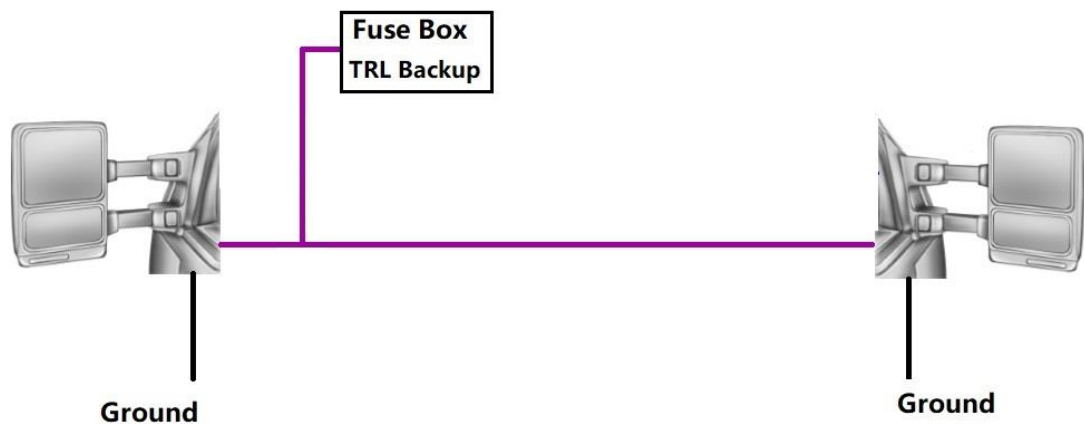
Male Plug on Harness

Ground (Black) Spot Light (Purple)

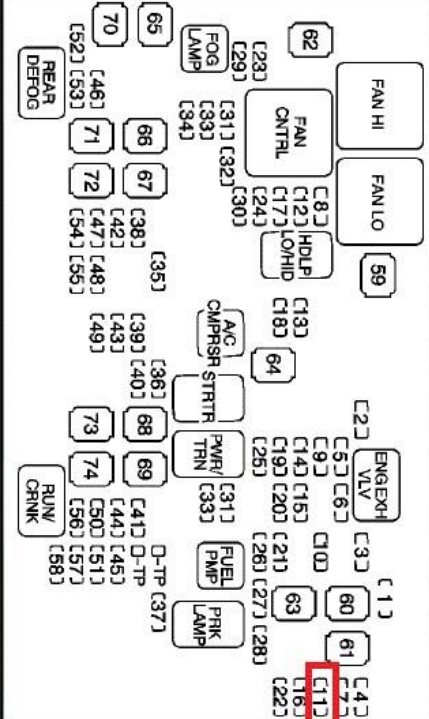
2.5. Run the wires through the rubber tunnel between the door and body frame.

2.6. Connect the black wire to the ground pole on body frame.

2.7. Connect the spot light (purple) wire to the trailer backup spot in fuse block. (Find the mark: TRLR BCKUP)



GAS ESSENCE



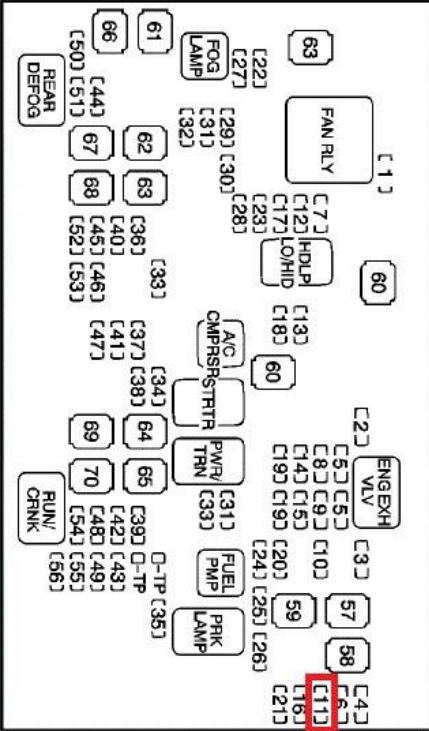
MINI FUSES

- | | | | |
|--------------------------|-----------------------|---------------------------|---------------------------|
| 1 - TRLR STOP RT (10A) | 21 - FUEL PUMP (20A) | 42 - AMP (90A) | 59 - FAN-1 (40A) |
| 2 - EXH VLV (90A) | 22 - FSCM (20A) | 43 - RDO (15A) | 60 - ALCOOMP (40A) |
| 3 - ESCALC EXH (90A) | 23 - HDLP WASH (90A) | 44 - MISC IGN (10A) | 61 - HEAVY DUTY ABS (90A) |
| 4 - TRLR STOP LT (10A) | 24 - REAR WASH (15A) | 45 - LOGATE RELEASE (15A) | 62 - FAN-2 (60A) |
| 5 - ENG (15A) | 25 - INU-A (90A) | 46 - AIRBAG BATT (15A) | 63 - ABS-1 (40A) |
| 6 - ECM/THROT CONT (15A) | 26 - TRLR PRK (15A) | 47 - INFO/MTM (15A) | 64 - STRTR (40A) |
| 7 - TTBC (15A) | 27 - LT PRK (15A) | 48 - RPC (10A) | 65 - STUD-2 (90A) |
| 8 - FRT WASH (15A) | 28 - FOG LAMP (15A) | 49 - EXP/PTO (15A) | 66 - LBECC (60A) |
| 9 - 02-B-SNSR (10A) | 30 - HORN (15A) | 50 - AUX HVAC-IGN (10A) | 67 - ELEC RUN BOARD (90A) |
| 10 - ABS 2 (25A) | 31 - HI HDLP-RT (10A) | 51 - CHMSL (15A) | 68 - WSW/HTR (90A) |
| 11 - TRLR BACKUP (10A) | 32 - DRL (15A) | 52 - HEAD DEROG (90A) | 69 - TRCC (90A) |
| 12 - LO HDLP-LT (20A) | 33 - HI HDLP-LT (10A) | 53 - HTD MIR (15A) | 70 - STUJ-1 (40A) |
| 13 - ECM-BATT (10A) | 34 - DRL 2 (15A) | 54 - SE0 B1 (15A) | 71 - MBECC (60A) |
| 14 - INU-B (20A) | 35 - SROOF (90A) | 55 - LTR (20A) | 72 - HVAC BLWR (40A) |
| 15 - TOM-BATT (15A) | 36 - DLS (2A) | 56 - SE0/ALC (10A) | 73 - LGM (30A) |
| 16 - VEH BACKUP (10A) | 37 - FRT WPR (25A) | 57 - HVAC-IGN (10A) | 74 - LBECC (90A) |
| 17 - LO HDLP-RT (20A) | 38 - SE0 B2 (90A) | 58 - ECM-IGN (15A) | |
| 18 - AC CMPRSR (10A) | 39 - EAP (15A) | | |
| 19 - 02-A-SNSR (10A) | 40 - HVAC BATT (10A) | | |
| 20 - TRANS IGN 1 (15A) | 41 - AIRBAG IGN (10A) | | |

J-CASE FUSES

- | | |
|---------------------------|----------------------|
| 39 - FAN-1 (40A) | 60 - ALCOOMP (40A) |
| 61 - HEAVY DUTY ABS (90A) | 62 - FAN-2 (60A) |
| 63 - ABS-1 (40A) | 64 - STRTR (40A) |
| 65 - STUD-2 (90A) | 66 - LBECC (60A) |
| 67 - ELEC RUN BOARD (90A) | 68 - WSW/HTR (90A) |
| 69 - TRCC (90A) | 70 - STUJ-1 (40A) |
| 71 - MBECC (60A) | 72 - HVAC BLWR (40A) |
| 73 - LGM (30A) | 74 - LBECC (90A) |

DIESEL



MINI FUSES

- | | | | |
|---------------------------|-----------------------|---------------------------|---------------------------|
| 1 - FAN (10A) | 20 - FUEL PUMP (20A) | 40 - AMP (90A) | 57 - ALCOOMP (40A) |
| 2 - EXH VLV (90A) | 21 - TTBC (15A) | 41 - RDO (15A) | 58 - HEAVY DUTY ABS (90A) |
| 3 - ESCALC EXH (90A) | 22 - HDLP WASH (90A) | 42 - MISC IGN (10A) | 59 - ABS-1 (40A) |
| 4 - TRLR STOP LT (10A) | 23 - REAR WASH (15A) | 43 - LOGATE RELEASE (15A) | 60 - STRTR (40A) |
| 5 - ENG (15A) | 24 - TRLR PRK (15A) | 44 - AIRBAG BATT (15A) | 61 - STUD-2 (90A) |
| 6 - TRLR STOP RT (10A) | 25 - INU-A (90A) | 45 - INFO/MTM (15A) | 62 - LBECC (60A) |
| 7 - FRT WASH (15A) | 26 - TRLR PRK (15A) | 46 - RPC (10A) | 63 - ELEC RUN BOARD (90A) |
| 8 - FUEL HTR (15A) | 27 - FOG LAMP (15A) | 47 - EXP/PTO (15A) | 64 - WSW/HTR (90A) |
| 9 - TOM-BATT (15A) | 28 - HORN (15A) | 48 - AUX HVAC-IGN (10A) | 65 - TRCC (90A) |
| 10 - ABS 2 (25A) | 30 - HI HDLP-RT (10A) | 49 - CHMSL (15A) | 66 - STUJ-1 (40A) |
| 11 - TRLR BACKUP (10A) | 31 - HI HDLP-LT (10A) | 50 - HEAD DEROG (90A) | 67 - MBECC (60A) |
| 12 - LO HDLP-LT (20A) | 32 - DRL 2 (15A) | 51 - HTD MIR (15A) | 68 - HVAC BLWR (40A) |
| 13 - ECM-BATT (10A) | 33 - SROOF (90A) | 52 - SE0 B1 (15A) | 69 - LGM (30A) |
| 14 - DSL ECM (25A) | 34 - DLS (2A) | 53 - LTR (20A) | 70 - LBECC (90A) |
| 15 - TRANS IGN 1 (15A) | 35 - WPR (25A) | 54 - SE0/ALC (10A) | |
| 16 - VEH BACKUP (10A) | 36 - SE0 B2 (90A) | 55 - HVAC-IGN (10A) | |
| 17 - LO HDLP-RT (20A) | 37 - EAP (15A) | 56 - ECM-IGN (15A) | |
| 18 - AC CMPRSR (10A) | 38 - HVAC BATT (10A) | | |
| 19 - ECM/THROT CONT (15A) | 39 - AIRBAG IGN (10A) | | |

J-CASE FUSES

- | | |
|---------------------------|---------------------------|
| 57 - ALCOOMP (40A) | 60 - STRTR (40A) |
| 58 - HEAVY DUTY ABS (90A) | 61 - STUD-2 (90A) |
| 59 - ABS-1 (40A) | 62 - LBECC (60A) |
| 60 - STRTR (40A) | 63 - ELEC RUN BOARD (90A) |
| 61 - STUD-2 (90A) | 64 - WSW/HTR (90A) |
| 62 - LBECC (60A) | 65 - TRCC (90A) |
| 63 - ELEC RUN BOARD (90A) | 66 - STUJ-1 (40A) |
| 64 - WSW/HTR (90A) | 67 - MBECC (60A) |
| 65 - TRCC (90A) | 68 - HVAC BLWR (40A) |
| 66 - STUJ-1 (40A) | 69 - LGM (30A) |
| 67 - MBECC (60A) | 70 - LBECC (90A) |

Printed in

15899530