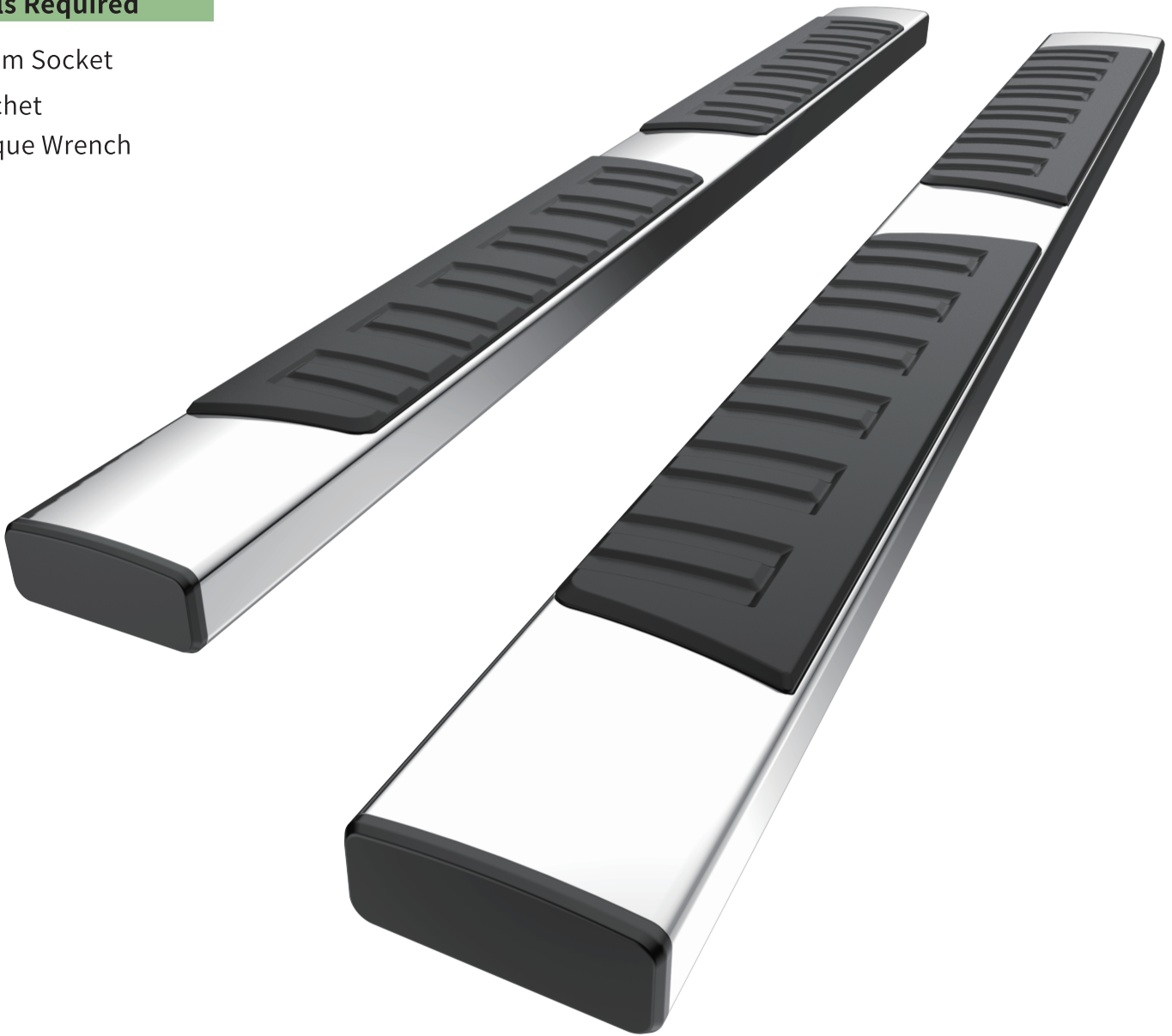


# Installation & CARE

CEETSS-3038

## Tools Required

13mm Socket  
Ratchet  
Torque Wrench



## Notes

Read this instruction carefully before starting installation.  
Please note the 2004-2015 models and 2016-current models using different mounting hardware.  
Proper tools will improve the quality of installation and reduce the time required.  
If missing parts or any damage found, please take a picture, and contact us.

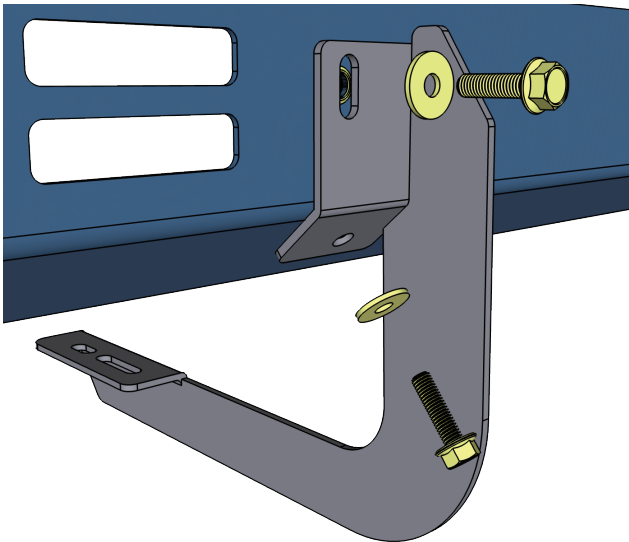
## Step 1:

1. Locate (3) mounting positions each side.
2. Lower mounting holes may cover with plastic plugs. Remove plugs
3. Clean the sealant and dirt around mounting positions.

## Step 2A:

### For 2016-current models

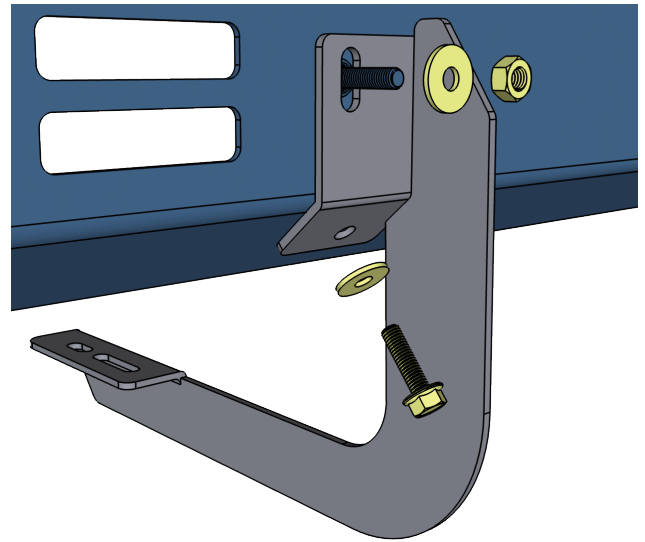
1. Attach bracket to inner rocker panel.
2. Secure the bracket to inner rocker panel using (2) M8 hex bolts, (2) M8 flat washers.



**⚠ Note:**  
Front driver side bracket is shown.

## Step 2B:

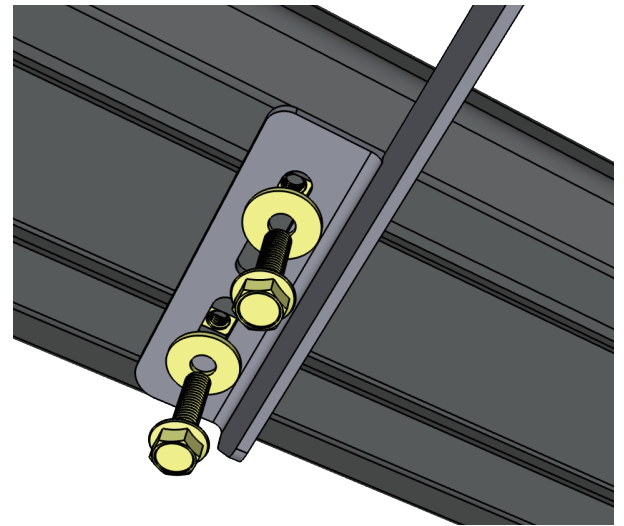
1. Attach bracket to inner rocker panel, feed factory stud through the upper hole on bracket.
2. Secure the bracket to inner rocker panel using (1) M8 hex bolt, (1) M8 hex nut, (2) M8 flat washers.



**⚠ Note:**  
Front driver side bracket is shown.  
Clean the factory stud before installation.

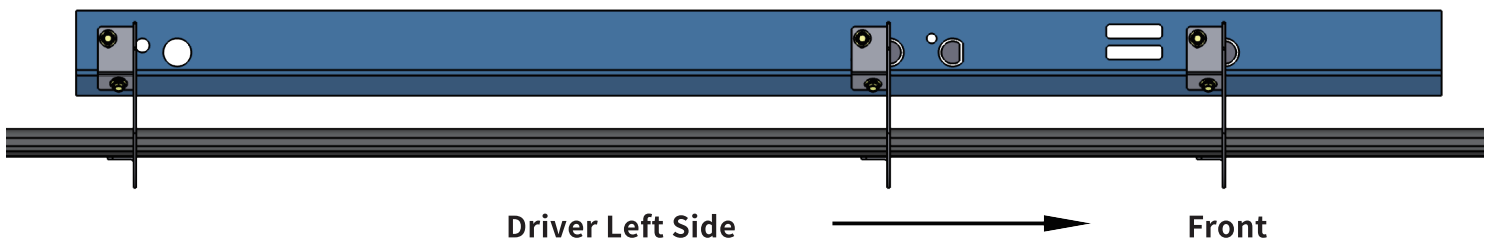
### Step 3:

1. Remove (6) M8 hex bolts and (6) M8 flat washers under the step bar.
2. Slide mounting tracks to proper positions.
3. With assistance, lift and attach the step bar to brackets. Secure the step bar on brackets using (6) M8 hex bolts and (6) M8 flat washers.
4. Repeat to install the other side step bar, do not fully tighten.

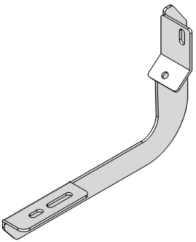
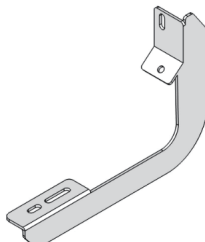
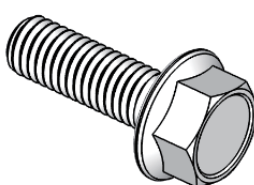
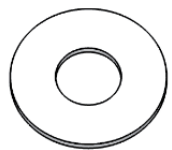
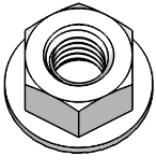
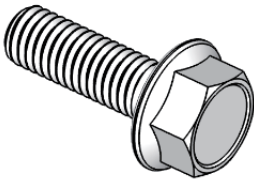
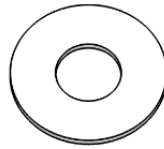


### Step 4:

1. Tighten M8 hex bolts and nuts on vehicle with 15 ft. lbs. torque.
2. Adjust the step bar to level and tighten M8 hex bolts with 15 ft. lbs. torque.
3. After the step bar installed, periodic check to ensure all mounting hardware remains secure and tight.



### Part List

							
Driver Left side Bracket	×3	Passenger Right Side Bracket	×3	M8 Hexagon Bolt	×12	M8 Flat Washer	×12
							
M8 Hexagon Nut	×6	M8 Hexagon Bolt (on step bar)	×12	M8 Flat Washer (on step bar)	×12		

# Installation & CARE