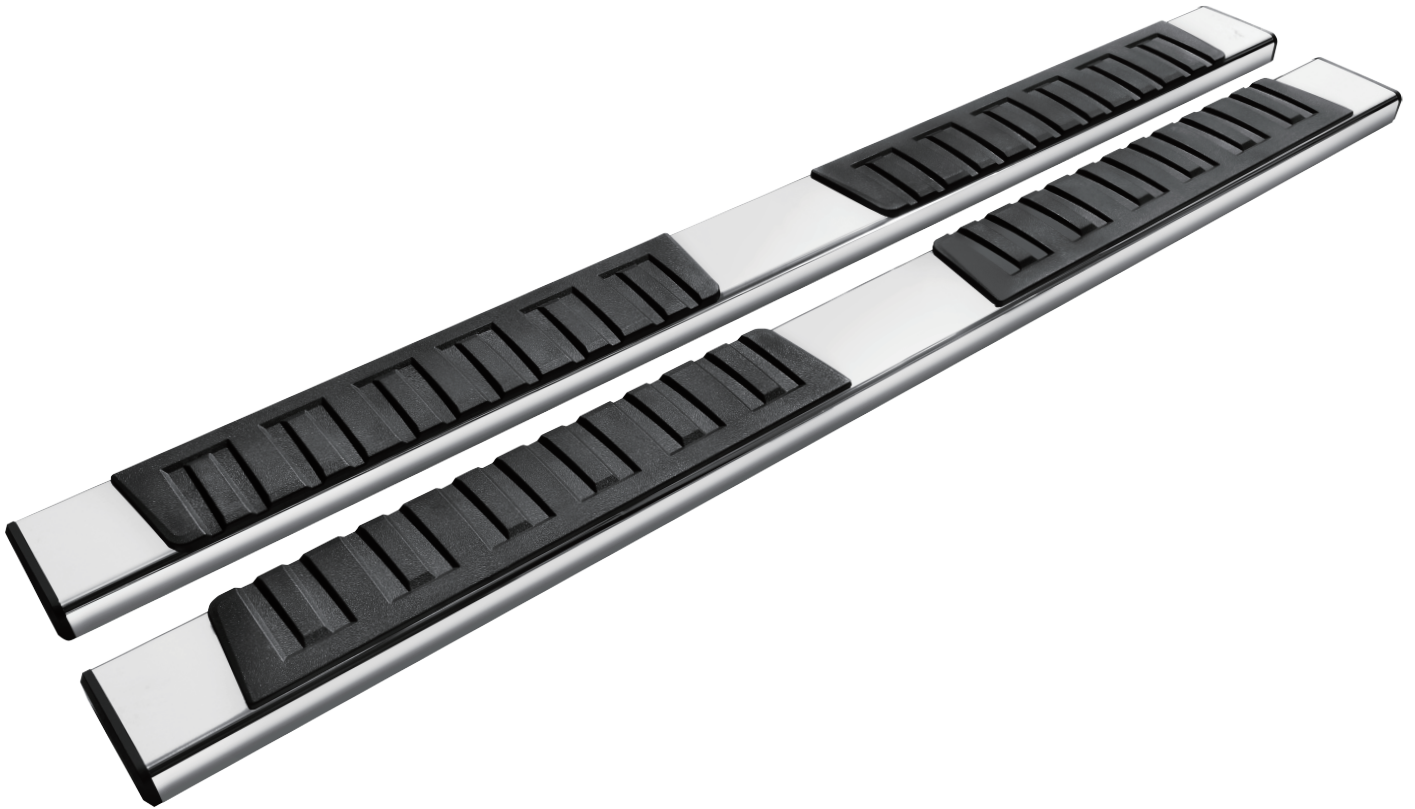


Installation & CARE

CEETSS-3033

Tools Required

13mm Socket
Ratchet
Torque Wrench



Notes

Read this instruction carefully before starting installation.
Does NOT compatible with diesel engine vehicle.
Proper tools will improve the quality of installation and reduce the time required.
If missing parts or any damage found, please take a picture, and contact us.

Step 1:

1. Locate (3) mounting positions each side.
2. There are 4 mounting positions each side, we will use the 1st, 2nd, 4th.
3. Clean the sealant and dirt around mounting positions.

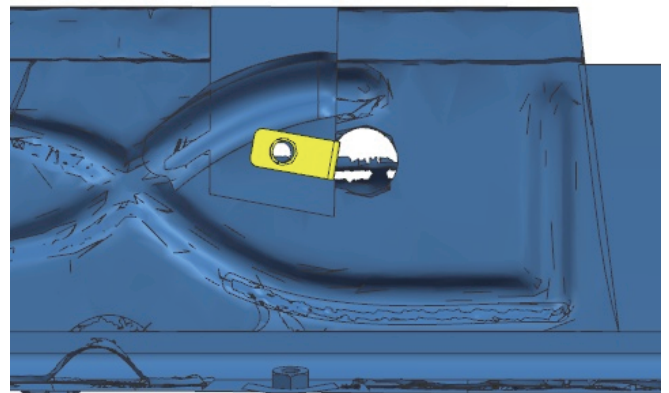
Step 2:

1. Remove rubber plugs on mounting positions.
2. Insert M8 clip nuts onto existing holes on inner rocker panel.
(Insert M8 clip nut onto the large hole and over the smaller hole next to it.)



Note:

If your vehicle equipped factory threaded inserts on rocker panel, skip to next step.



Step 3:

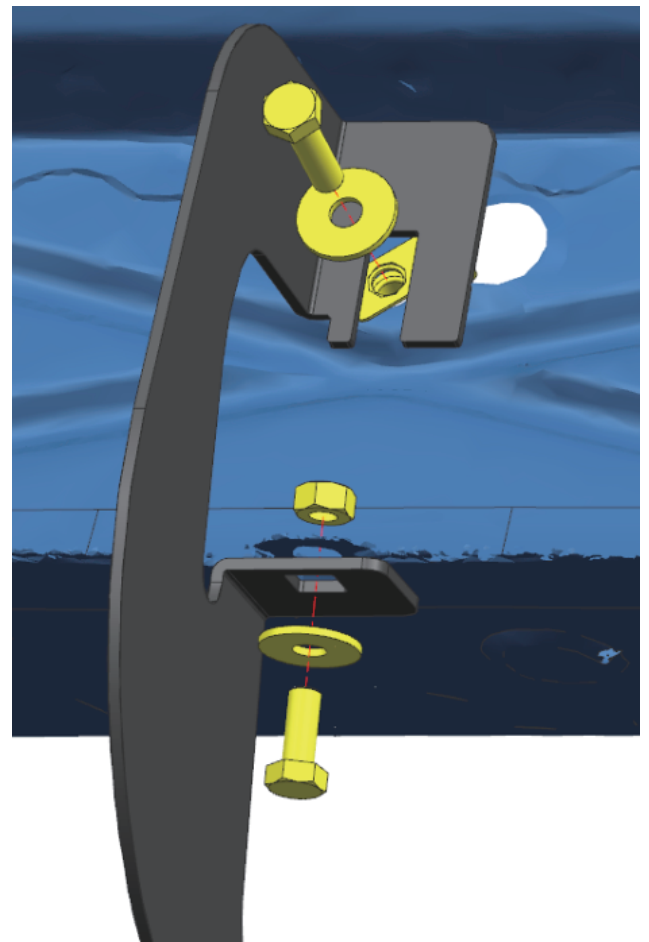
1. Attach bracket to inner rocker panel.
2. Secure the bracket to inner rocker panel with (1) M8 hex bolt, (1) M8 flat washer.
3. Secure the bracket to pinch weld with (1) M8 hex bolt, (1) M8 flat washer, (1) M8 hex nut.
4. Repeat to install other brackets, do not fully tighten.



Note:

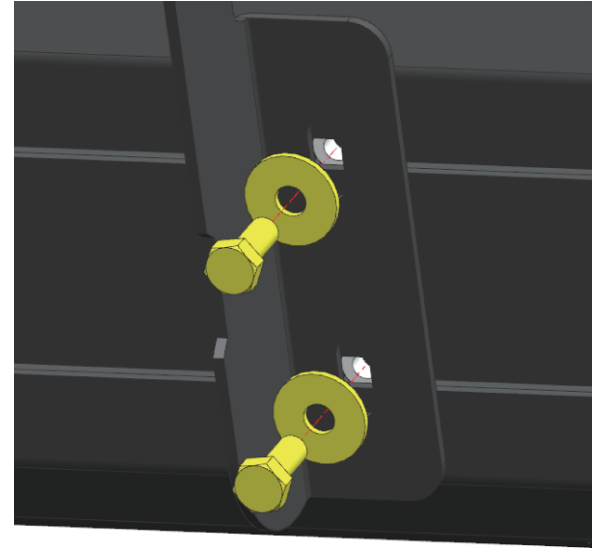
Use the factory nut directly, if your vehicle equipped factory weld nut on pinch weld.

Some models may partially equipped factory thread inserts on inner rocker panel and welded nuts on pinch weld, depending on vehicle`s model year and trim level.



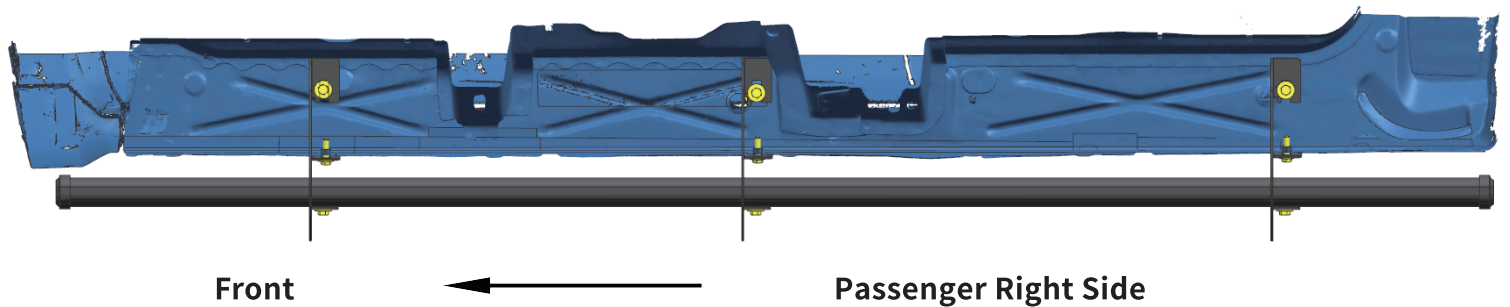
Step 4:

1. Remove (6) M8 hex bolts and (6) M8 flat washers from the back of step bar.
2. Slide mounting tracks to proper positions.
3. With assistance, lift and attach the step bar to brackets. Secure the step bar on brackets with (6) M8 hex bolts and (6) M8 flat washers.
4. Repeat to install the other side step bar, do not fully tighten.


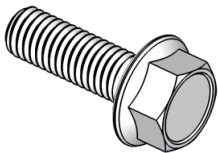

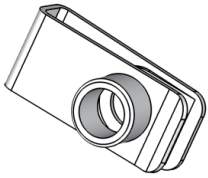
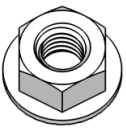
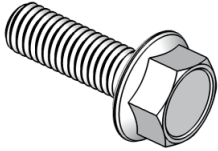
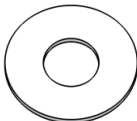


Step 5:

1. Tighten M8 hex bolts and nuts on vehicle with 15 ft. lbs. torque.
2. Adjust the step bar to level and tighten M8 hex bolts with 15 ft. lbs. torque.
3. After the step bar installed, periodic check to ensure all mounting hardware remains secure and tight.



Part List:

	×6		×12		×12		×6
	×6		×12		×12		

Installation & CARE