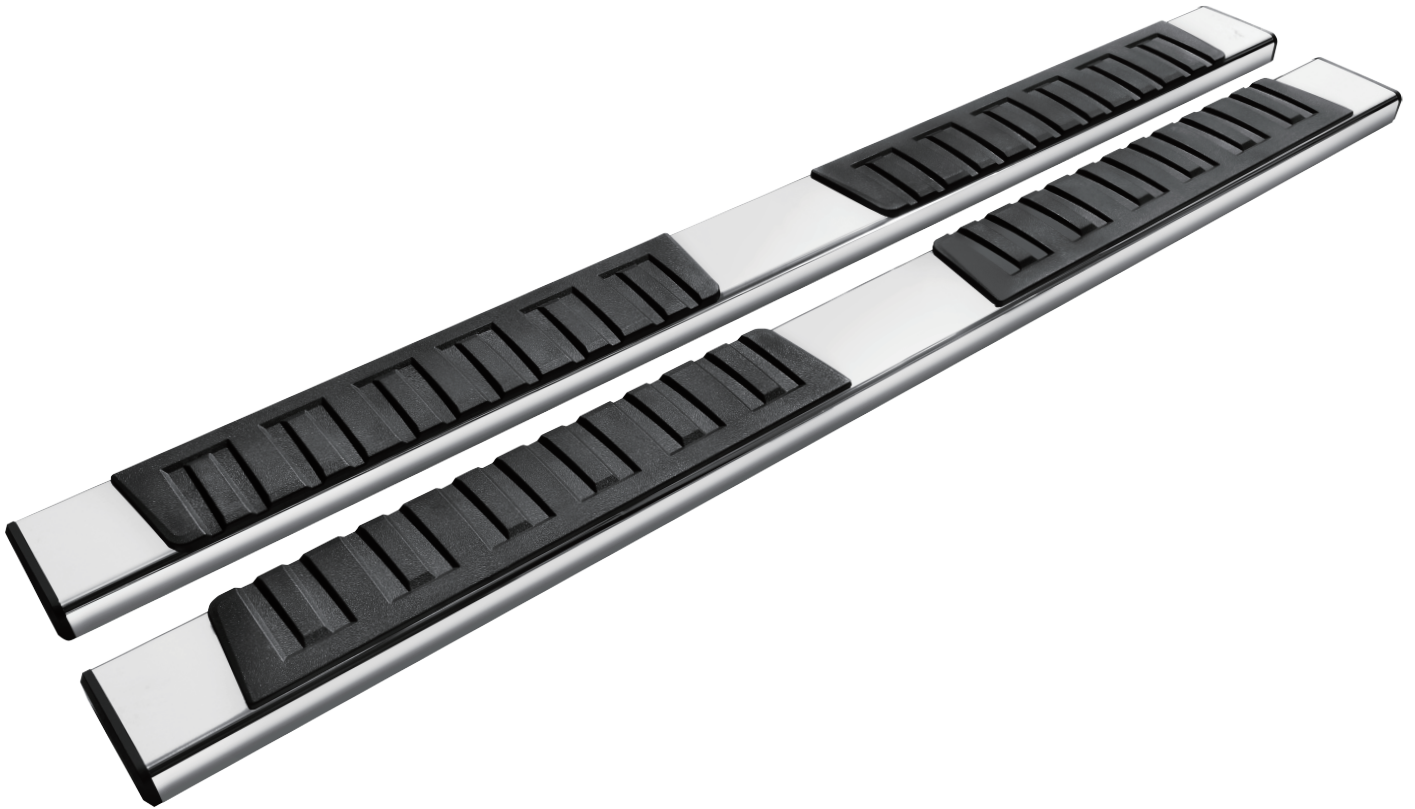


# Installation & CARE

CEETSS-3031

## Tools Required

13mm Socket  
Ratchet  
Torque Wrench

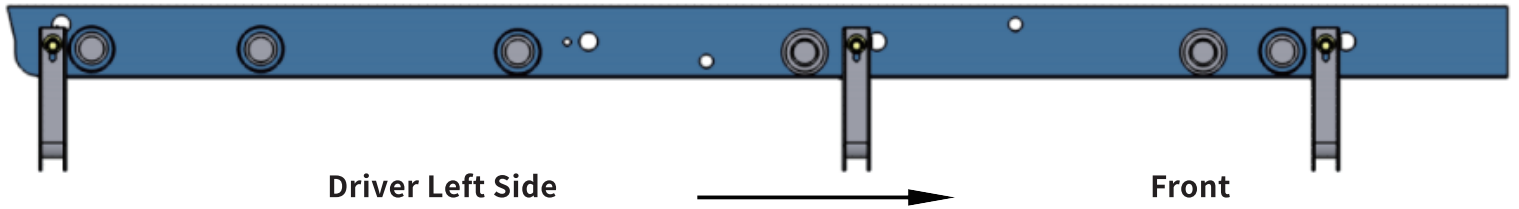


## Notes

Read this instruction carefully before starting installation.  
Proper tools will improve the quality of installation and reduce the time required.  
If missing parts or any damage found, please take a picture, and contact us.

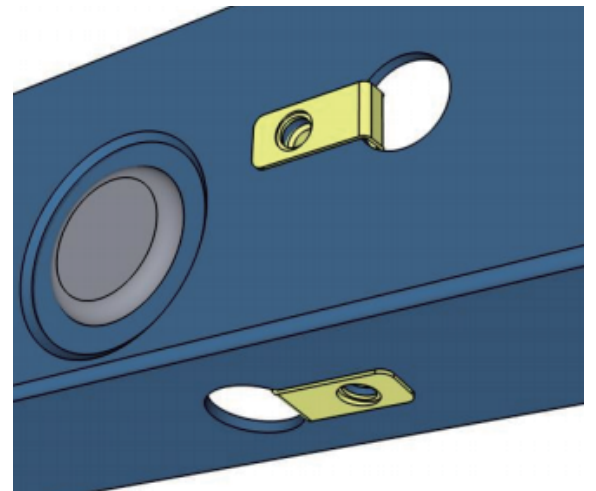
### Step 1:

1. Locate (3) mounting positions each side.
2. There are 4 mounting positions each side, we will use the 1st, 2nd, 4th.
3. Clean the sealant and dirt around mounting positions.



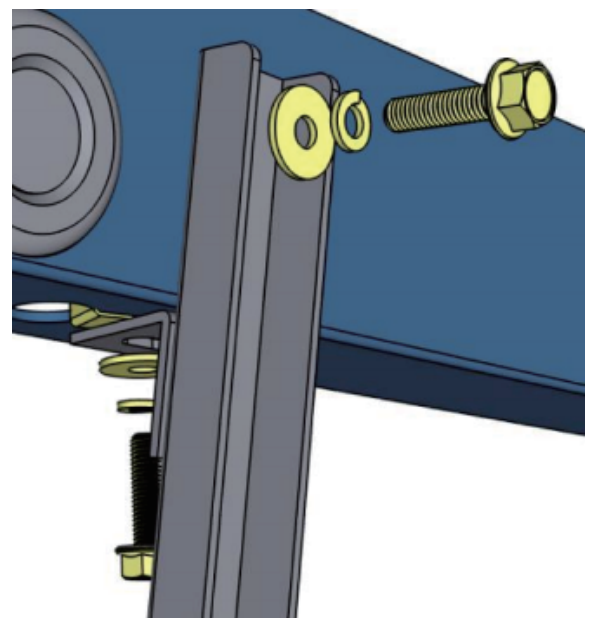
### Step 2:

1. Remove rubber plugs on mounting positions.
2. Insert M8 clip nuts onto existing holes on inner rocker panel.  
(Insert M8 clip nut onto the large hole and over the smaller hole next to it.)



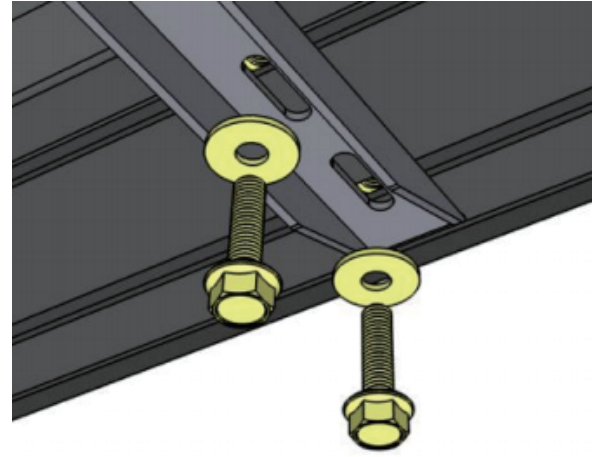
### Step 3:

1. Attach bracket to inner rocker panel.
2. Secure the bracket to inner rocker panel with (2) M8 hex bolts, (2) M8 lock washers, (2) M8 flat washers.
4. Repeat to install other brackets, do not fully tighten.



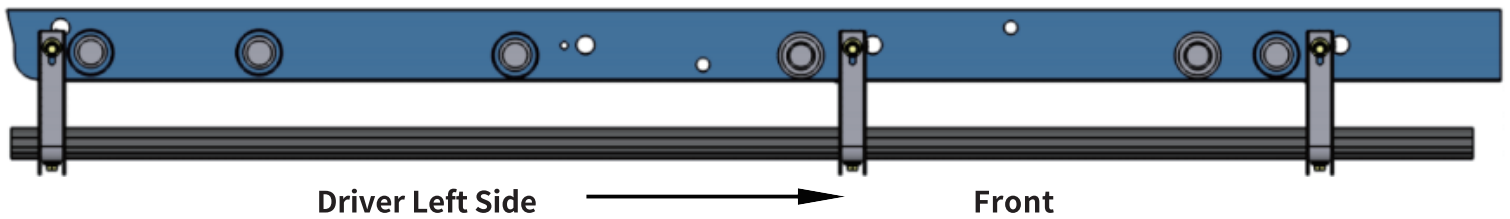
### Step 4:

1. Remove (6) M8 hex bolts and (6) M8 flat washers from the back of step bar.
2. Slide mounting tracks to proper positions.
3. With assistance, lift and attach the step bar to brackets. Secure the step bar on brackets with (6) M8 hex bolts and (6) M8 flat washers.
4. Repeat to install the other side step bar, do not fully tighten.

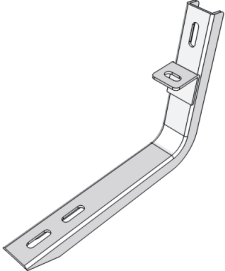
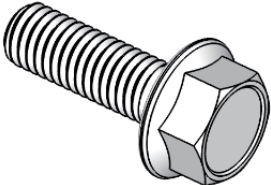
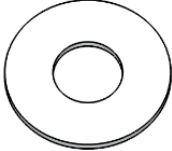
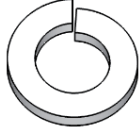
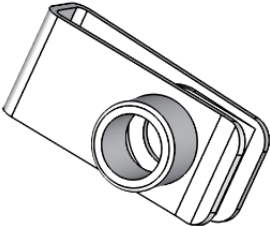
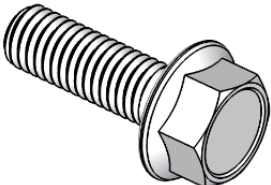
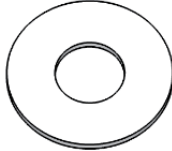


### Step 5:

1. Tighten M8 hex bolts and nuts on vehicle with 15 ft. lbs. torque.
2. Adjust the step bar to level and tighten M8 hex bolts with 15 ft. lbs. torque.
3. After the step bar installed, periodic check to ensure all mounting hardware remains secure and tight.



### Part List:

							
Bracket	×6	M8 Hexagon Bolt	×12	M8 Flat Washer	×12	M8 Lock Washer	×12
							
M8 Clip Nut	×12	M8 Hexagon Bolt (on step bar)	×12	M8 Flat Washer (on step bar)	×12		

# Installation & CARE