

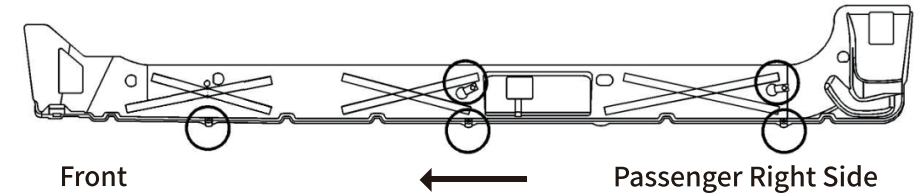
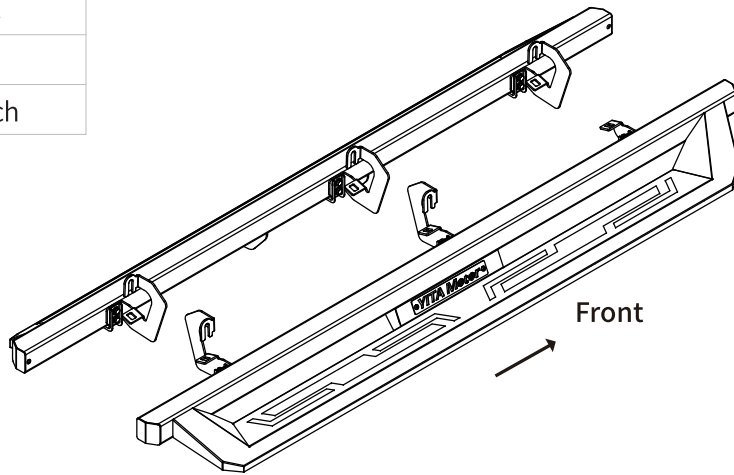
Tools Required

13mm Socket

Ratchet

Torque Wrench

CEETSS-1004



Step 2:

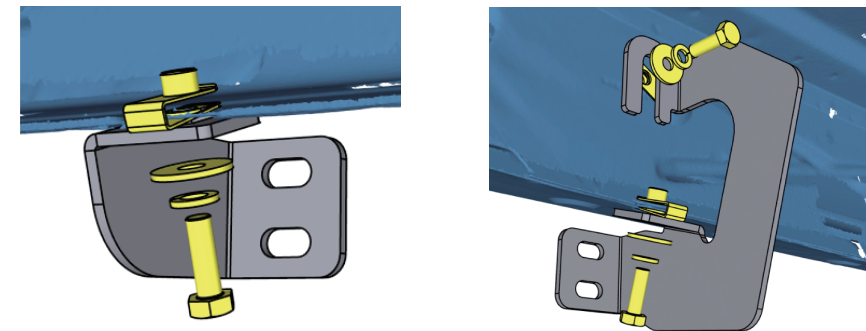
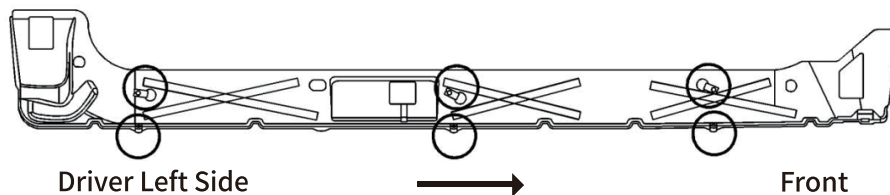
1. Attach the front passenger side bracket to the front of passenger side inner rocker panel and secure with (1) M8×25 hex bolt, (1) M8 lock washer, (1) M8×25 flat washer.
2. Attach the remaining bracket to the inner rocker panel and secure with (2) M8×25 hex bolts, (2) M8 lock washers, (2) M8×25 flat washers.

Notes

Read this instruction carefully before starting installation.
To fit both gas and diesel engine vehicle, the front passenger side bracket using different design than other brackets.
If missing parts or any damage found, please take a picture, and contact us.

Step 1:

1. Locate (3) mounting positions each side.
 2. Remove rubber plugs on inner rocker panel.
 3. Insert clip nuts onto existing holes in pinch weld and inner rocker panel.
- Note:** Some vehicles may equipped welded nuts on pinch weld and threaded inserts in rocker panel, use them directly in next step.



Front Passenger Side Bracket

Center Driver Side Bracket



Driver Left Side

Front

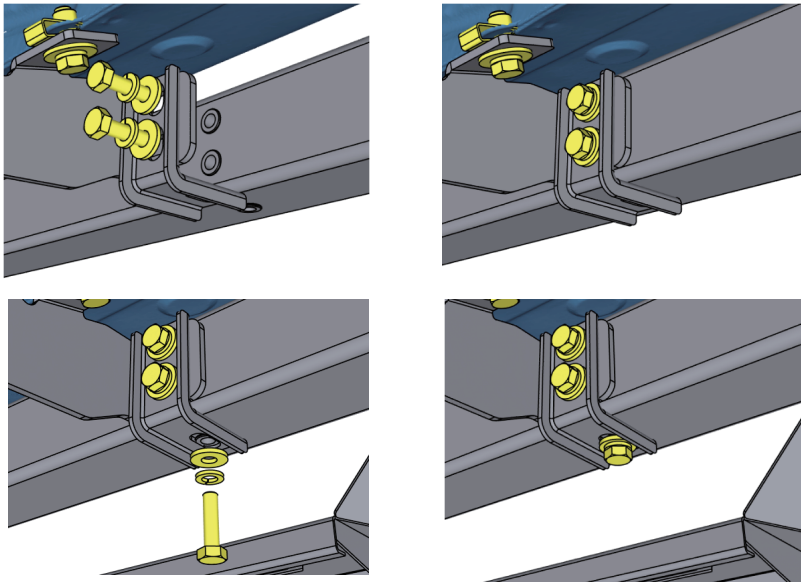


Front

Passenger Right Side

Step 3:

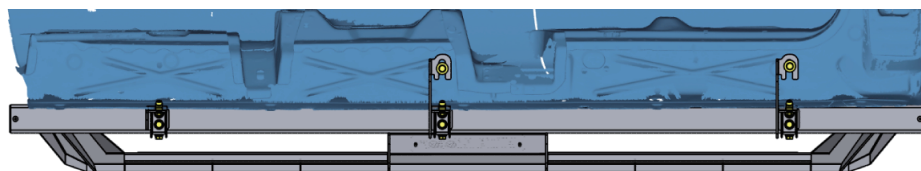
1. With assistance, lift and attach the step bar to the brackets.
2. Secure (3) support brackets and step bar onto brackets with (9) M8×30 hex bolts, (9) M8 lock washers, (9) M8×20 flat washers.



Driver Left Side



Front



Front



Passenger Right Side

Step 4:

1. Tighten M8 hex bolts on vehicle with 15 ft. lbs. torque.
2. Adjust the step bar to level and tighten M8 hex bolts with 15 ft. lbs. torque.
3. After the step bar installed, periodic check to ensure all mounting hardware remains secure and tight.

Part List:

Qty.	Description	Qty.	Description
①	×11 M8×25 Hexagon Bolt	⑥	×11 M8 Clip Nut
②	×18 M8×30 Hexagon Bolt	⑦	×3 Driver Side Bracket
③	×11 M8×25×2.5 Flat Washer	⑧	×2 Passenger Side Bracket
④	×18 M8×20×2.0 Flat Washer	⑨	×1 Front Passenger Side Bracket
⑤	×29 M8 Lock Washer	⑩	×6 Support Bracket

