

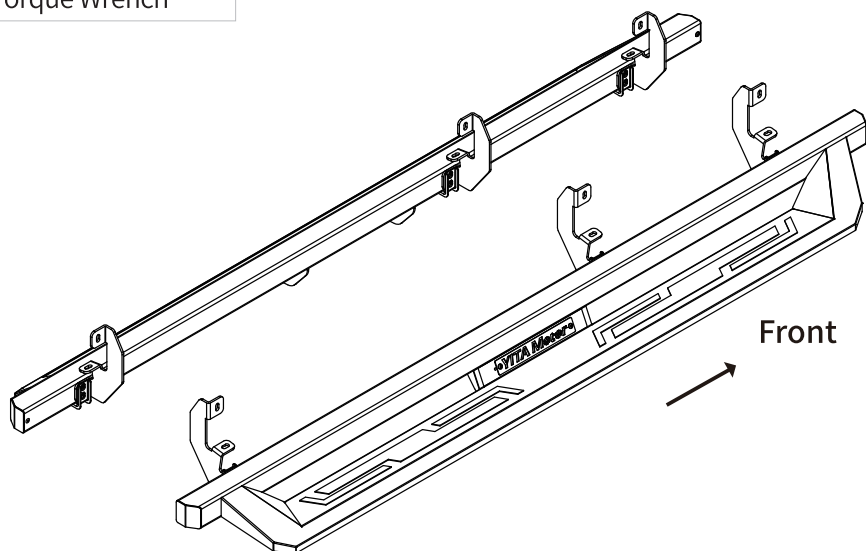
Tools Required

13mm Socket

Ratchet

Torque Wrench

CEETSS-1003



Notes

Read this instruction carefully before starting installation.

Proper tools will improve the quality of installation and reduce the time required.

If missing parts or any damage found, please take a picture, and contact us.

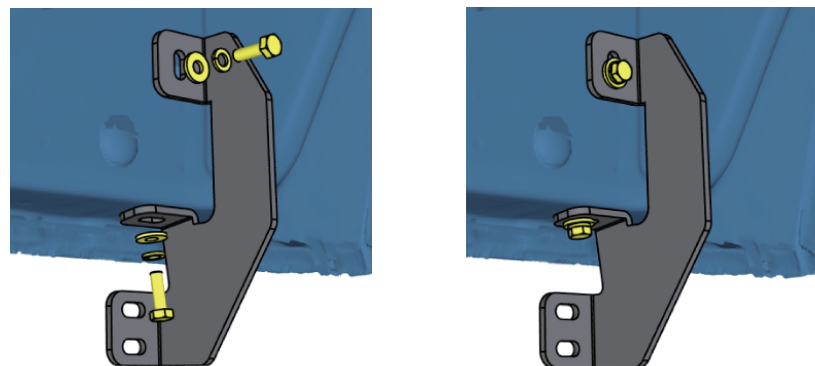
Step 1:

1. Locate (3) mounting positions on each side inner rocker panel.
2. There are 4 mounting positions each side, we will use the 1st, 2nd, 4th.
3. Clean the sealant and dirt around mounting positions.
4. Remove rubber plugs and clean factory threaded inserts.

Step 2:

1. Attach the bracket to the thread inserts on inner rocker panel.
2. Secure the bracket to inner rocker panel with (2) M8×25 hex bolts, (2) M8 lock washers, (2) M8 flat washers.

Note: The passenger side is shown, repeat on the driver side.

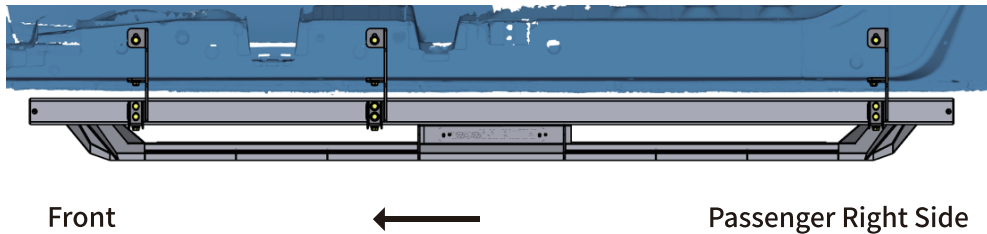
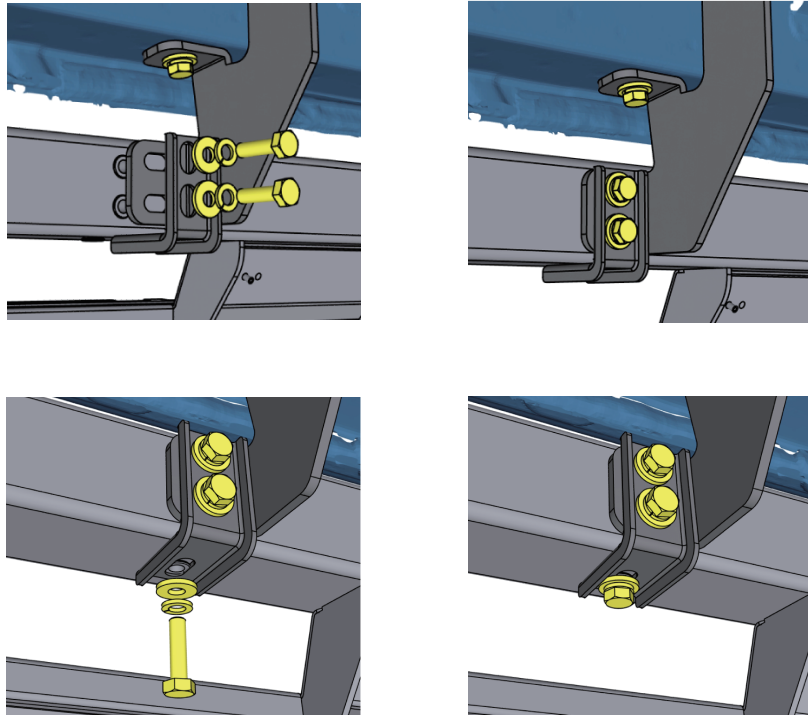


Front

Passenger Right Side

Step 3:

1. With assistance, lift and attach the step bar to the brackets.
2. Secure (3) support brackets and step bar onto brackets with (9) M8 flat washers, (9) M8 lock washers, (9) M8×30 hex bolts.



Step 4:

1. Tighten M8 hex bolts on vehicle with 15 ft. lbs. torque.
2. Adjust the step bar to level and tighten M8 hex bolts with 15 ft. lbs. torque.
3. After the step bar installed, periodic check to ensure all mounting hardware remains secure and tight.

Part List:

	Qty.	Description
①	×12	M8×25 Hexagon Bolt
②	×18	M8×30 Hexagon Bolt
③	×30	M8 Flat Washer
④	×30	M8 Lock Washer
⑤	×6	Mounting Bracket
⑥	×6	Support Bracket

