

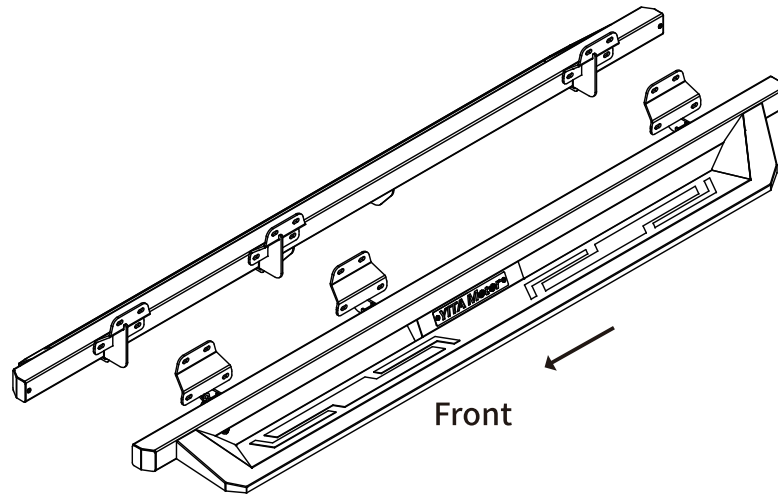
Tools Required

13mm Socket

Ratchet

Torque Wrench

CEETSS-1001



Notes

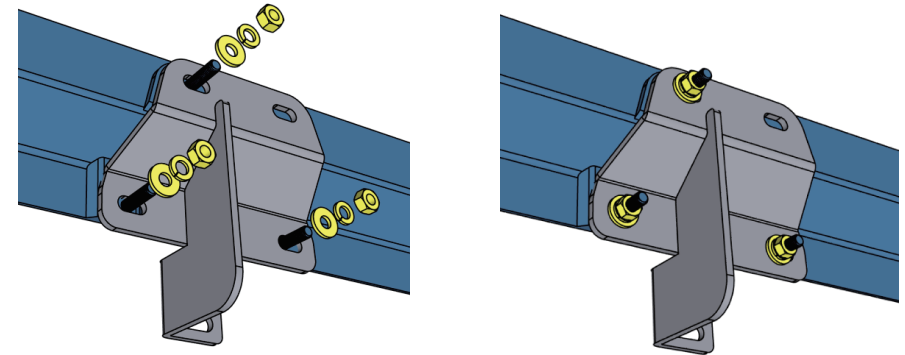
Read this instruction carefully before starting installation.
 Proper tools will improve the quality of installation and reduce the time required.
 If missing parts or any damage found, please take a picture, and contact us.

Step 1:

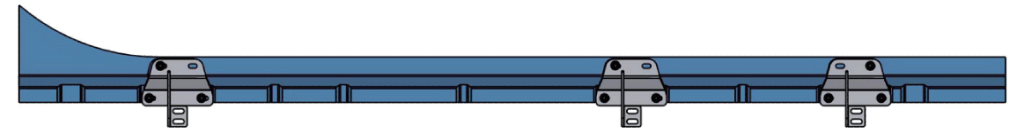
1. Locate (3) mounting positions each side.
2. Clean factory painting on mounting studs before installation.
3. Clean the sealant and dirt around mounting positions.

Step 2:

1. Attach the bracket to the factory studs on inner rocker panel.
2. Secure the bracket to inner rocker panel with (3) M8 flat washers, (3) M8 lock washers, (3) M8 hex nuts.



Front Driver Side

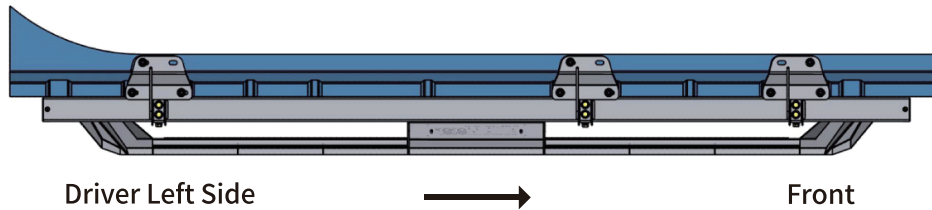
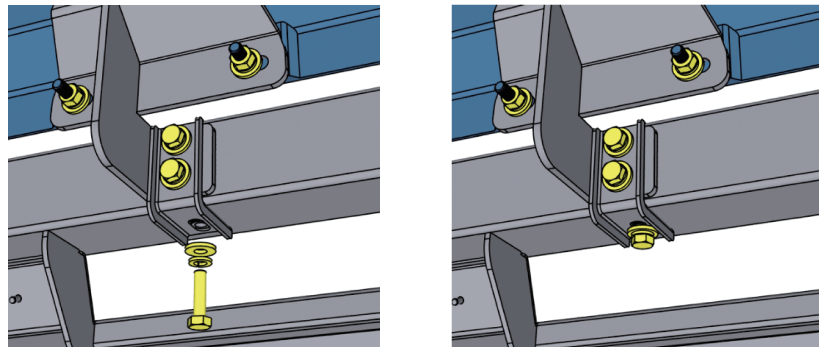
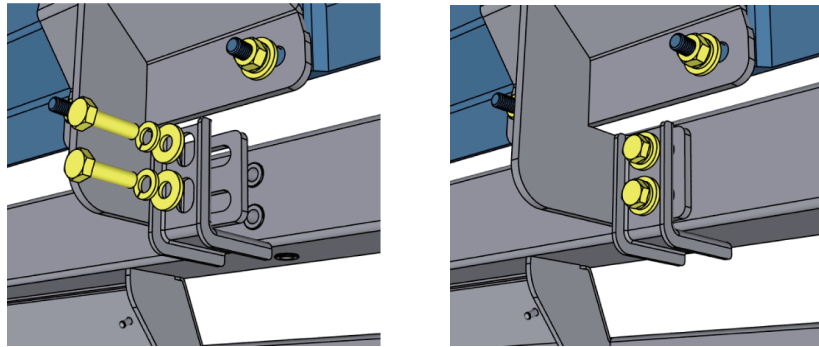


Driver Left Side

Front

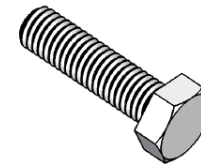
Step 3:

1. With assistance, lift and attach the step bar to the brackets.
2. Secure (3) support brackets and step bar onto brackets with (9) M8 flat washers, (9) M8 lock washers, (9) M8×30 hex bolts.

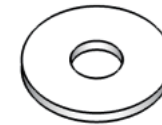


Part List:

	Qty.	Description
①	× 18	M8× 30 Hexagon Bolt
②	× 36	M8 Flat Washer
③	× 36	M8 Lock Washer
④	× 18	M8 Hexagon Nut
⑤	× 6	Mounting Bracket
⑥	× 6	Support Bracket



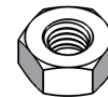
①



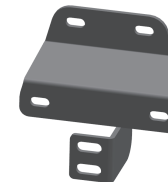
②



③



④



⑤



⑥

Step 4:

1. Tighten M8 hex nuts on vehicle with 15 ft. lbs. torque.
2. Adjust the step bar to level and tighten M8 hex bolts with 15 ft. lbs. torque.
3. After the step bar installed, periodic check to ensure all mounting hardware remains secure and tight.