

CEETFF-0007

FENDER FLARES

FOR 2004 - 2008 Ford F-150
2006 - 2008 Lincoln Mark LT



Included in Hardware Kit:

① Edge Trim Tool	1pc	⑧ Torx Screw	38pcs
② Screw Wrench	1pc	⑨ Philips Truss Screw	10pcs
③ Black Mylar Tab	10pcs	⑩ Nylock Nut	38pcs
④ Magni Black Clip	2pcs	⑪ SS Washer	38pcs
⑤ PH Screw	2pcs	⑫ Spring Clip	9pcs
⑥ Black Screw	6pcs	⑬ Stainless Steel Clip	6pcs
⑦ Tuf-lock Fasteners	6pcs	⑭ Edge Trim	305 inches



TOOLS REQUIRED FOR INSTALLATION (NOT INCLUDED):

- Utility Knife
- #2 Phillips Drive bit
- 7/32 Socket
- T45 Torx Bit
- Socket Wrench
- Marker

PLEASE NOTE:

- Dirt and debris can become lodged between the fender flares and the vehicle's fenders, causing scratches and paint wear from vibration. We are not responsible for this type of damage.
- Verify the fit of the flares to vehicle. (Some filing, sanding, or cutting may be necessary to ensure proper fit).
- Limited Lifetime Warranty Against Any Manufacturing Defects: To claim a warranty, you must provide Proof of Purchase.

FLARE INSTALLATION PROCEDURES

STEP 1 Preparing the Work Area (Front and Rear)

Remove factory fender trim and mud flaps (when installed).

STEP 2 Edge Trim Installation (See Illustration #1)

(A) Peel two to three inches of red vinyl backing away from Edge Trim tape. Applying the adhesive side of the edge trim to the inner side of the flare, affix the edge trim to the top edge of the flare (the portion that comes in contact with the vehicle).

(B) Press edge trim into place along the top edge of the flare in one-foot increments, pulling red vinyl backing free as you continue to work your way around the top edge of the flare.

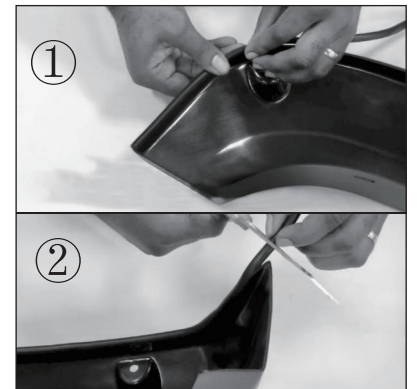


Illustration #1

STEP 3

(Front and Rear Flare) Stainless Steel Screw Installation (See Illustration #2)

A) Insert a stainless steel screw and washer into each pocket in the front of the flare, and secure with a nylock nut by Screw Wrench. See Illustration #2.

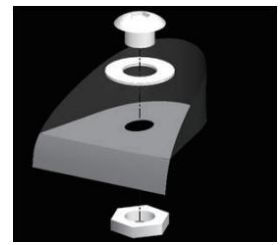


Illustration #2

STEP 4

Front Flare Installation (See Illustrations #3 & #4)

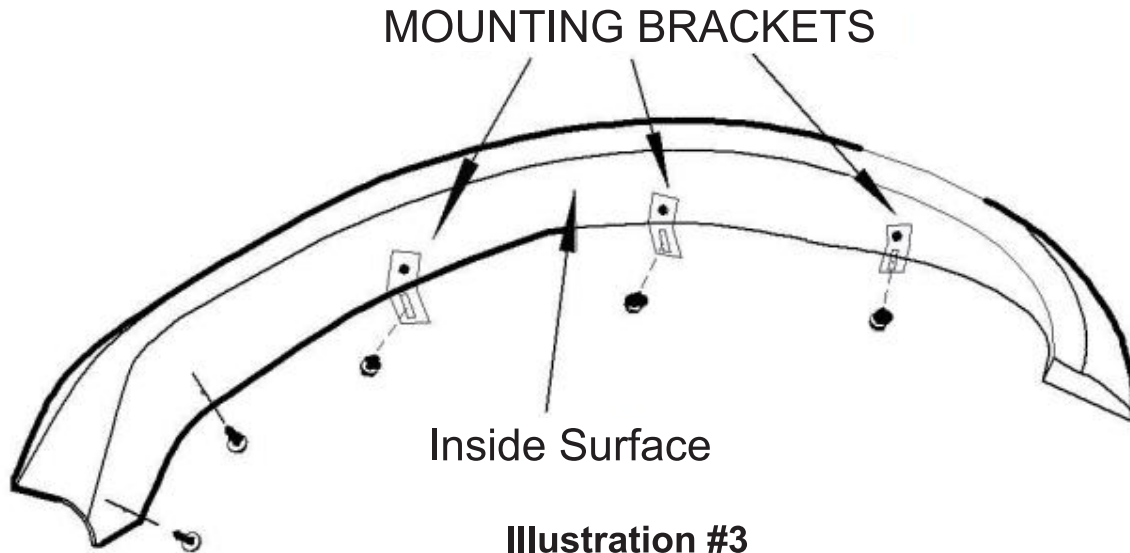


Illustration #3

A) Remove and save the five factory hex screws (located inside the wheel well rim) using a 7/32" socket.

B) Attach mounting brackets to front flare through top three holes in flare and 1/4" hole in bracket with Tuf-Lock fasteners. See Illustrations #3 & #4.

C) Holding flare in place on fender, apply moderate pressure to outside surface of the flare; Fasten using the factory hex screw removed earlier in Step 4A.

D)NOTE:

Some model years may not have a factory fastener at the top of the wheel well. If this fastener is not present on your vehicle, please refer to the following steps:

a. Pull splash shield back from behind fender. This may require a prying tool.

b. Slide a supplied Magni Black Clip on splash shield as shown in Photo #1 below.

c. Attach flare as mentioned in Step 4C, using supplied Truss Head Screw instead of the factory fastener. The screw will be inserted into the clip you just installed.

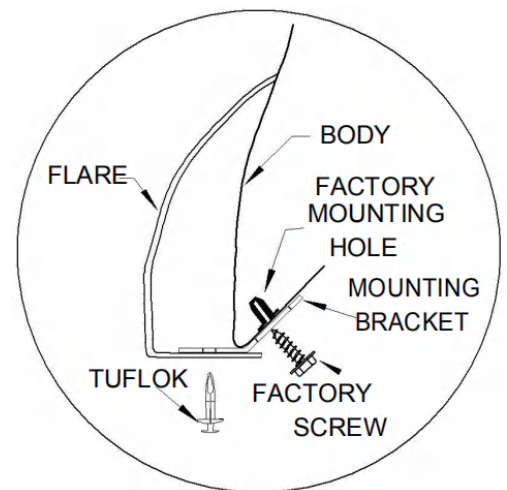


Illustration #4



Photo #1 – Pull splash shield from behind fender. Install a supplied "U" Clip on splash shield as shown.

STEP 5 Rear Flare Installation (See Illustrations #5, #6, & #7)

- A) Hold flare in position with moderate pressure. Using the holes in the flares as a guide, mark wheel well lip where each hole is.
- B) Remove flare and stick a black Mylar tab over each marked location on wheel well lip. Slide supplied clamps over each tab location. **See Illustrations #5, #6 & #7.**
- C) Starting with the two corner holes, start the supplied screws but keep loose.
- D) Ensuring the flare is properly located on fender, install remaining screws. Applying moderate pressure to outside surface of flare, tighten screws, beginning with the two corner locations and then the two bottom screws. Tighten the top center screw last.

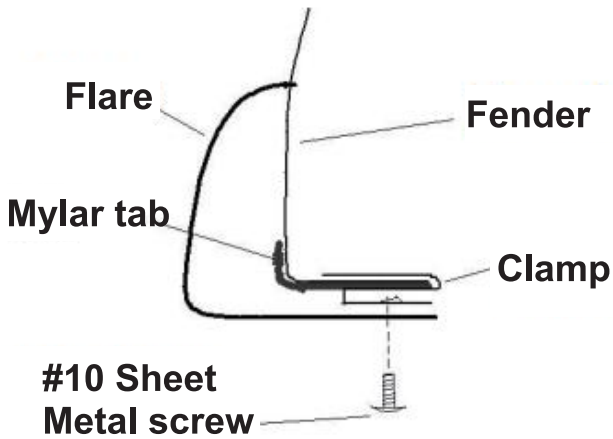


Illustration #5

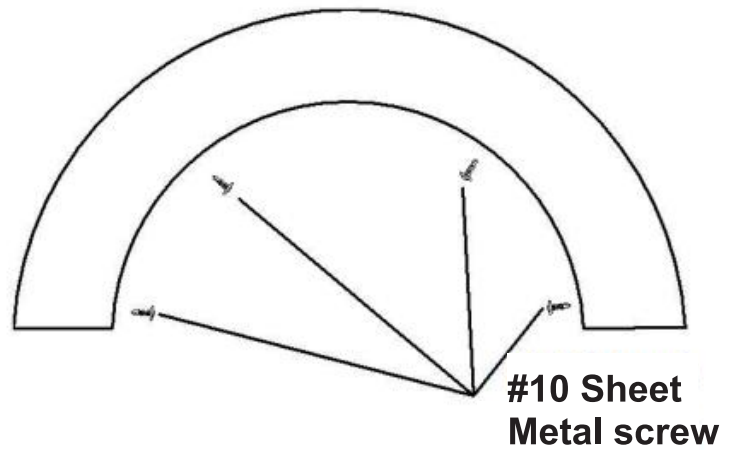


Illustration #6

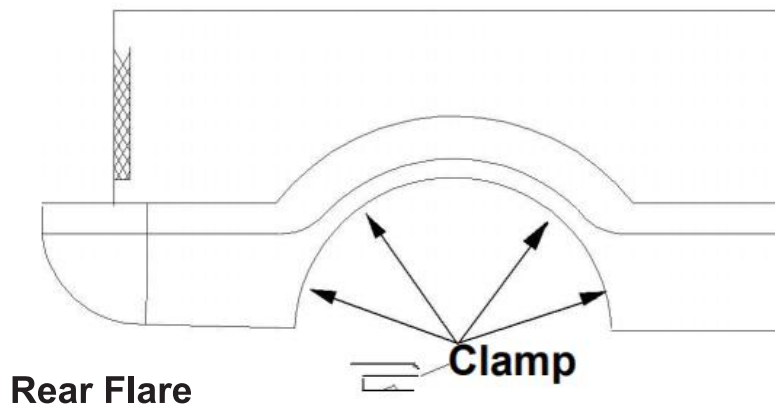
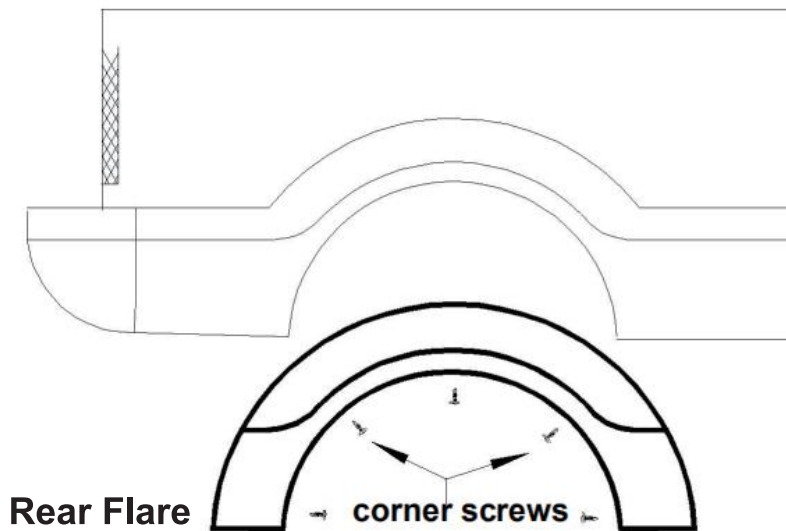
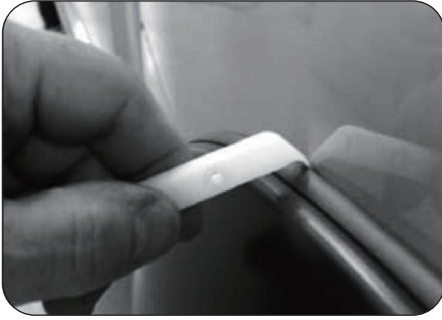


Illustration #7

STEP 6 Edge Trim Tool Procedures:



Using supplied Edge Trim Tool, seat edge trim against vehicle by hooking curved end under edge trim at one end of flare. Next, slide around outer edge of flare to the other end.



Using flat end of supplied Edge Trim Tool, seat edge trim against flare by inserting straight end between edge trim and flare at one end. Next, slide around entire edge to the other end.

CARE & MAINTANCE

To protect the fenders, it is recommended to clean them regularly. Please do not use cleaners that contain abrasives that may damage the finish of the parts.