

Tools Required

- 21mm, 19mm, 16mm Socket
- 19mm, 13mm, 10mm Wrench
- Ratchet
- Torque Wrench

CEETBX-0053



Notes

Read this instruction carefully before starting installation.
 The trim panel can be removed for customized painting.
 If missing parts or any damage found, please take a picture and contact us.

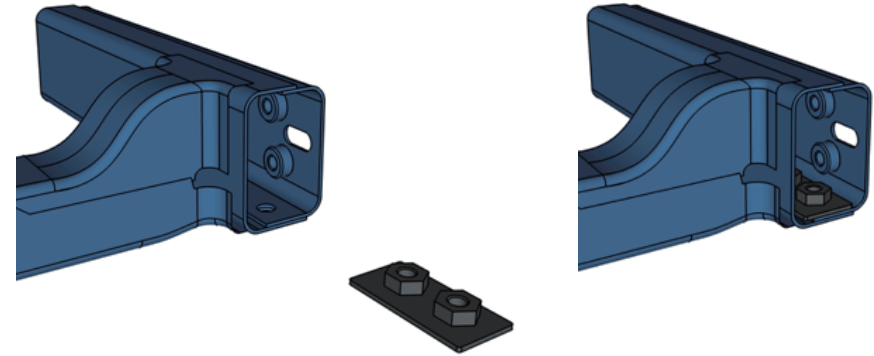
Do NOT exceed vehicle manufacture recommended towing capacity.
Please check the vehicle`s owner manual.

Step 1:

1. In rear wheel well, remove (3) M6 bolts securing mud guard in place.
2. Remove the side braces on each side by removing (4) M10 bolts securing each side brace .
3. Remove (4) M14 bolts securing the tow hook on the driver left side.
4. Remove (2) M14 bolts on the passenger side frame.
5. Remove (4) M10 nuts securing the bracket to the bumper.
6. Remove (2) M10 bolts securing the crossmember to the bottom of bumper.
7. Disconnect rear bumper harness and remove the bumper from vehicle.
8. Remove factory trailer hitch receiver if equipped.

Step 2:

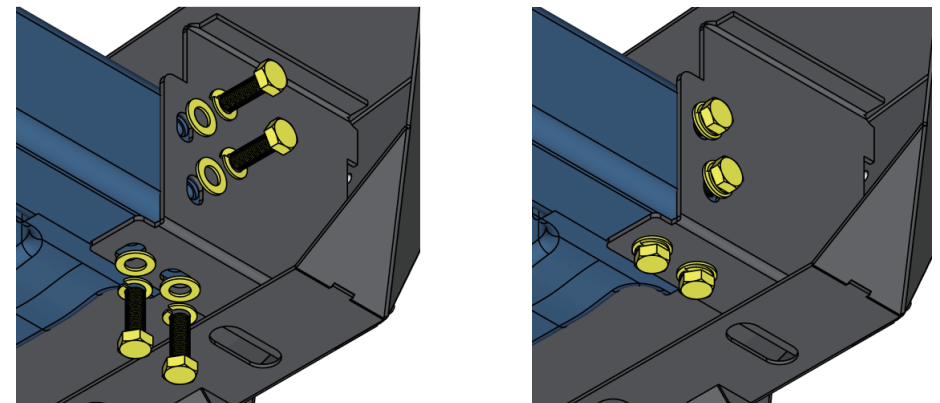
1. Take nut plate and place it into passenger side body frame rail.
2. Guild the plate to align the weld nut with holes under the body frame rail.



Step 3:

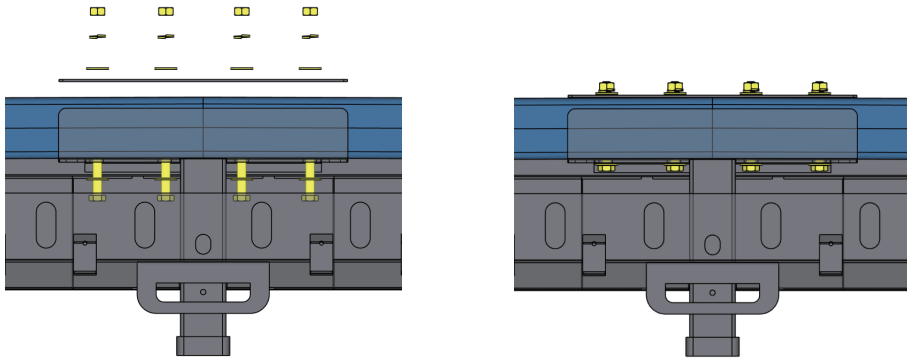
1. With assistance, lift and attach the bumper to frame rail.
 Secure with (4) M14×30 hex bolts, (4) M14 flat washers, (4) M14 lock washers.
2. Tighten M14 hex bolts with 75 ft. lbs. torque.

Note: Driver side is shown, repeat on the passenger side.



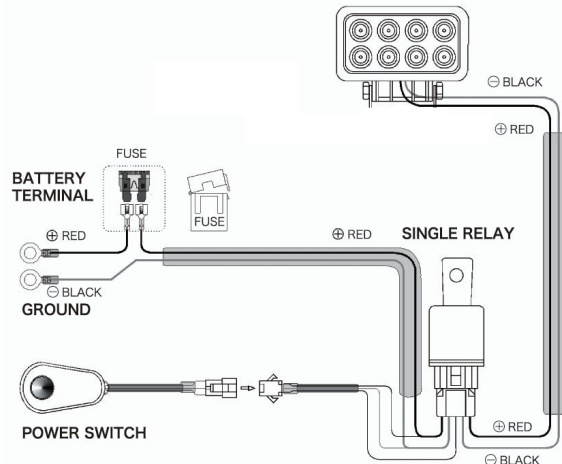
Step 4:

1. Attach the hitch spacer plate to the rear crossmember.
2. Secure the trailer hitch to rear crossmember using (4) M12×110 hex bolts, (8) M12 flat washers, (4) M12 lock washers, (4) M12 hex nuts.
3. Tighten M12 hardware with 60 ft. lbs. torque.



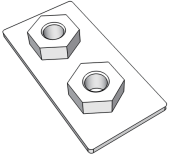
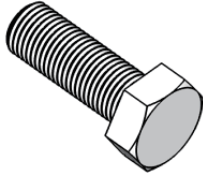
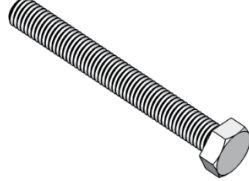
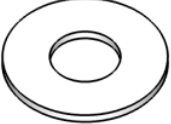
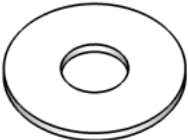





Step 5:

1. Install (2) D-rings to shackle mounting brackets.
2. Reference wiring diagramme shown below. Wire harness is NOT included.
3. After the bumper installed, periodic check to ensure all mounting hardware remains secure and tight.



Part List:

	×1		×2		×1
	×8		×4		×8
	×8		×8		×4
	×4				