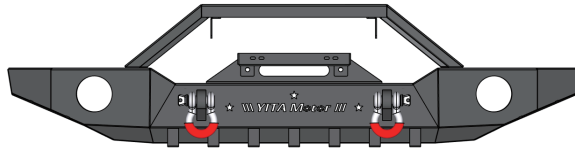


Tools Required

19mm, 16mm, 13mm Socket
4mm Hex Bit
16mm, 13mm, 10mm Wrench
Ratchet
Torque Wrench

CEETBX-0052



Notes

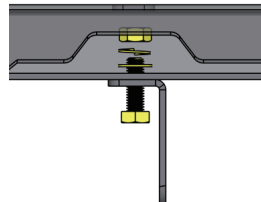
Read this instruction carefully before starting installation.
 Proper tools will improve the quality of installation and reduce the time required.
 If missing parts or any damage found, please take a picture, and contact us.

Step 1:

1. Remove (4) rivets holding the splash guard and remove the splash guard.
2. Remove (2) rivets securing the frame cover between the grille and front bumper.
3. Disconnect fog lamp connectors.
4. Remove (8) M12 hex nuts holding the bumper onto the frame rail.
5. Carefully remove the front bumper.
6. Remove the factory fog lamps and keep the factory mounting hardware.

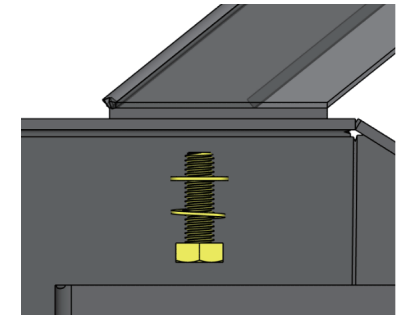
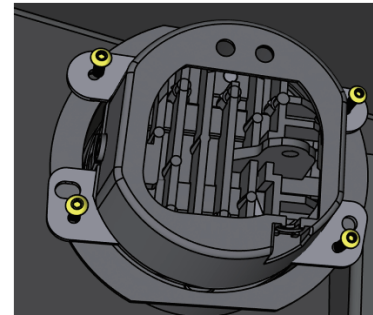
Step 2:

1. Position (2) light bar bracket to the bull bar.
2. Secure the light bar brackets onto bull bar with (2) M8 hex bolts, (2) M8 flat washers, (2) M8 lock washers, (2) M8 hex nuts.



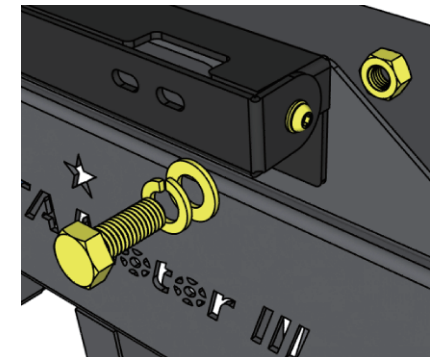
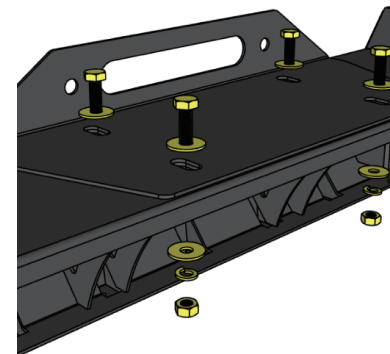
Step 3:

1. Position the fog lamp to the front bumper and secure with factory mounting hardware.
2. Position the bull bar to the front bumper.
3. Secure the bull bar using (2) M8 hex bolts, (2) M8 flat washers, (2) M8 hex nuts.
4. Tighten M8 hardware with 15 ft. lbs. torque.



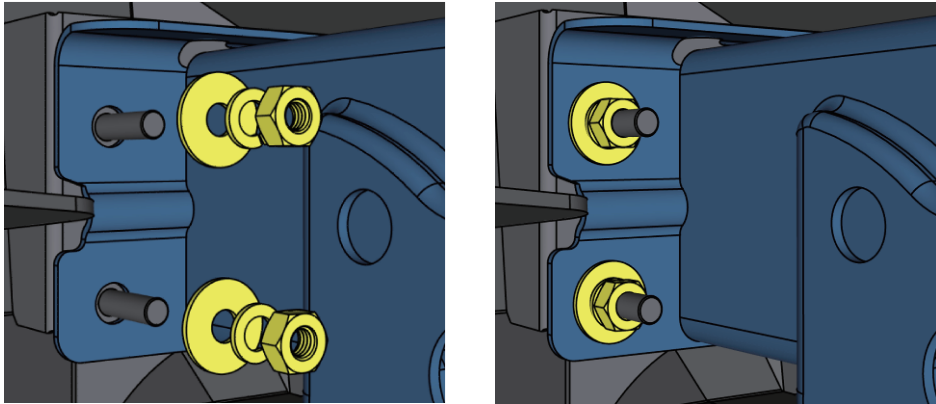
Step 4:

1. Place the winch fairlead panel to bumper.
2. Secure winch fairlead panel using (4) M10 hex bolts, (8) M10 flat washers, (4) M10 lock washers, (4) M10 hex nuts.
3. Assemble the license plate bracket with (2) M6 button head bolts, (2) M6 flat washers, (2) M6 hex nuts.
4. Secure the license plate bracket onto fairlead panel using (2) M12 hex bolts, (2) M12 flat washers, (2) M12 lock washers, (2) M12 hex nuts.



Step 5:

1. With assistance, place the bumper onto frame rail.
2. Secure the bumper to frame rail with (8) M10 flat washers, (8) M10 lock washers, (8) M10 hex nuts.
3. Tighten M10 hardware with 31 ft. lbs. torque.



Step 6:

1. Connect the fog lamp connectors.
2. Install (2) D-rings to shackle mounting brackets.
3. (Optional) Install light bar to the bull bar, fit 16-20" side mount light bar.
4. After the bumper installed, periodic check to ensure all mounting hardware remains secure and tight.

Note: The fog lamp wire harness may require to modify to fit a longer lamp distance. Professional soldering is highly recommend.

Part List:

	Qty.	Description
A	×1	Bull Bar
B	×1	Fairlead Panel
C	×2	Light Bar Bracket
D	×2	D-Ring Shackle
E	×1	Licence Plate Bracket
[1]	×2	M12×30 Hexagon Bolt
[2]	×4	M10×30 Hexagon Bolt
[3]	×4	M8×25 Hexagon Bolt
[4]	×2	M6×20 Button Head Bolt
[5]	×2	M12×24 Flat Washer
[6]	×16	M10×30 Flat Washer
[7]	×4	M8×16 Flat Washer
[8]	×2	M6×12 Flat Washer
[9]	×2	M12 Lock Washer
[10]	×12	M10 Lock Washer
[11]	×4	M8 Lock Washer
[12]	×2	M12 Hexagon Nut
[13]	×12	M10 Hexagon Nut
[14]	×2	M8 Hexagon Nut
[15]	×2	M6 Hexagon Nut

