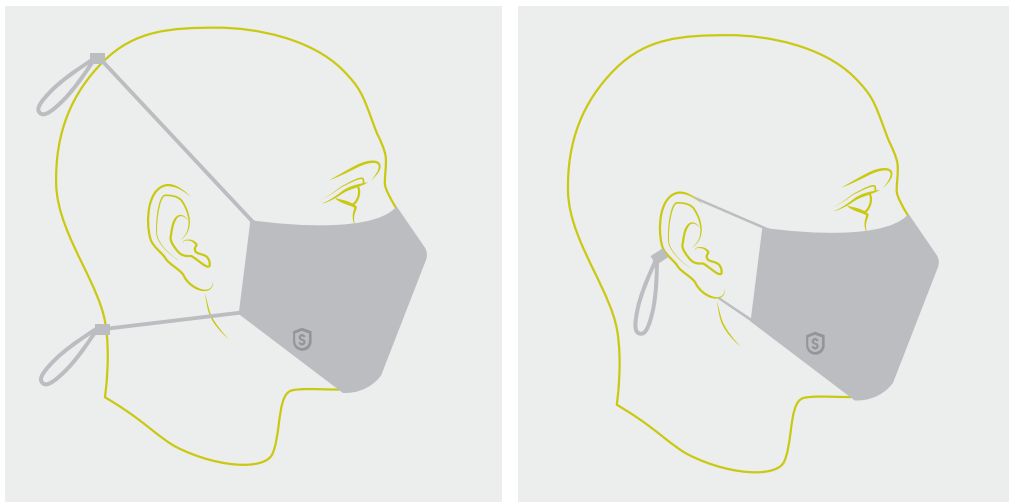


INNOVATION meets PROTECTION

SALOS
PROTECTIVE GEAR

BY OMNIA

Antimicrobial Fabric Pocketed Masks



www.OMNIA.space • hello@OMNIA.space • 206.286.8108

  @OMNIA.space

OMNIA

INNOVATIVE material

- ✓ Reusable
- ✓ Ultra-soft Bio-Graphene Fabric
- ✓ OekoTex® Certified
- ✓ Adjustable Comfort Fit
- ✓ Sustainably-Made Fabric

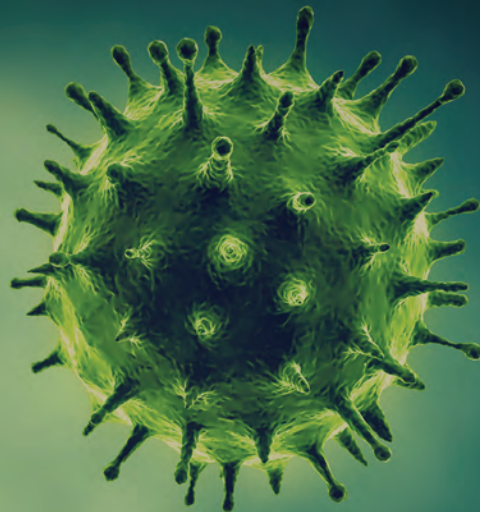
Sustainably-made, long-lasting PPE. Our antimicrobial face masks are made from Bio-Graphene, a patented fiber with a tested 99.9% elimination rate.

Our masks help people adapt to full-time protection, in an ergonomic, sustainable way.

Pre-market BSI testing for FDA/CE.



- ✓ 1 Kit = 1 Mask and 5 Filters
- ✓ S - M - L - XL
- ✓ Multiple Color Options
- ✓ Brand Customization
- ✓ Competitive Pricing



OMNIA

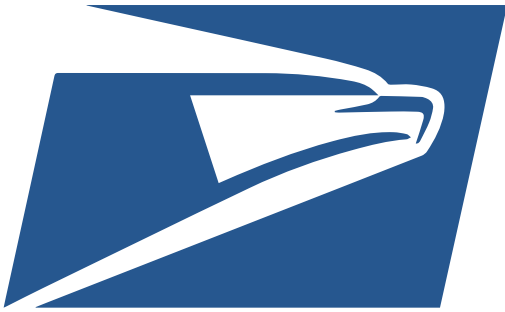
PROTECTING workers

Brand Customization Example

1. Choose mask color.



2. Send company logo for heat transfer.

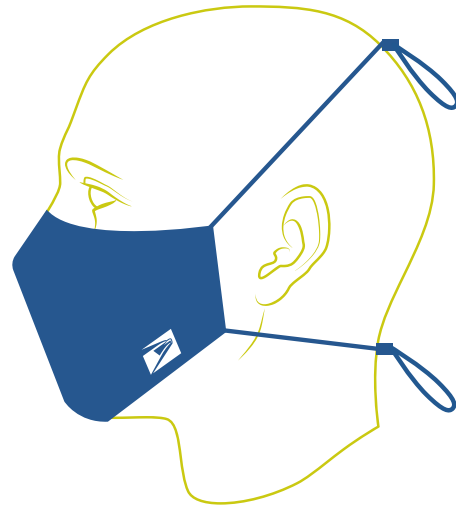


3. Choose logo color.
4. Place order 1000 MOQ

Turnaround for custom masks: 2.5 weeks
Turnaround for non-branded masks: 1 week

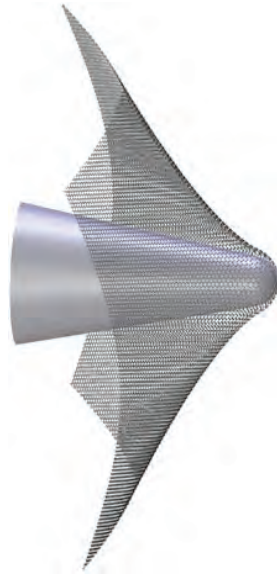
Helping the public get back to work faster. Our antimicrobial fabric masks with ASTM Level 3 Surgical Filters are the perfect solution for everyday wear.

We offer brand customization for bulk industry orders.



“ Strongest material ever tested ”

- MIT Technology Review



Graphene is among the world's thinnest and hardest nano-materials, recently being hailed "the miracle material", due to its high electrical and thermal conductivity qualities.

When incorporated into textiles, it inherently & naturally activates antimicrobial, UV-absorption, and anti-static properties.

The test results to the indicate the level of blocking our graphene fiber has against Staphylococcus, Ecoli, and Pneumonia.



Test Report

No. NJSL1611025620TX

Date: Nov 10, 2016

Page 3 of 4

TEST METHOD(S):

AATCC 100-2012 Antibacterial Finishes on Textile Material: Assessment of

TEST ORGANISMS:

Klebsiella pneumoniae ATCC 4352, *Escherichia coli* ATCC 8739, *Staphylococcus aureus* ATCC 6538

TEST RESULT(S):

SAMPLE: #1

Test organisms	Concentration of bacteria (cfu/mL)	The number of bacteria recovered from			%Reduction
		/	at "0H" contact time (cfu/sample)	at "24H" contact time (cfu/ sample)	
<i>Staphylococcus aureus</i> ATCC 6538	1.2×10^5	Sample	1.0×10^5	<100	>99.9%
		Control sample	1.0×10^5	2.8×10^5	
<i>Escherichia coli</i> ATCC 8739	1.3×10^5	Sample	1.0×10^5	<100	>99.9%
		Control sample	1.1×10^5	1.1×10^7	
<i>Klebsiella pneumoniae</i> ATCC 4352	1.4×10^5	Sample	1.1×10^5	<100	>99.9%
		Control sample	1.1×10^5	1.4×10^7	

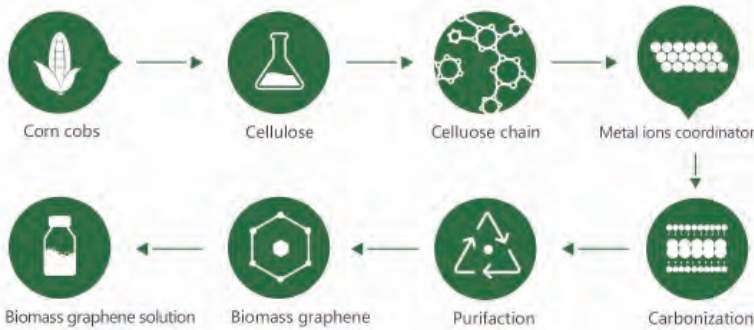
Remark: Test sample is 12 swatches of 4.8 cm diameter circular , 1 mL inoculum per trial. The sample has been sterilized in the autoclave before the testing. The control sample is 100% cotton, provided by SGS laboratory.

SUSTAINABLY produced



Bio-Graphene is produced via a patented method using corn cob cellulose as a raw material. Because its raw material is derived from corn cobs, there is no chemical pollution throughout the production process. There is no strong oxidation or chemical reduction process, as is with most manufacturing of commercial textiles.

Our fabric is Oeko-Tex certified, even safe on babies.



Companies who supply their workers with workplace face protection can expect to outfit 1 employee with:

STANDARD SURGICAL MASKS

APPROX. 250-500 MASKS PER YEAR

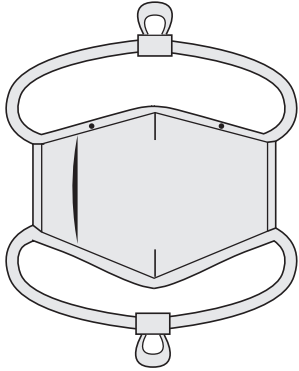
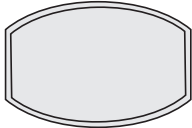
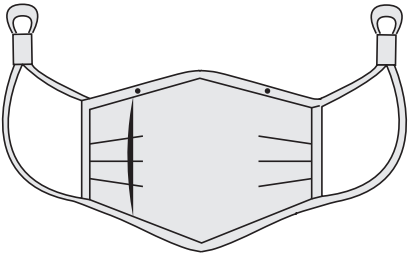
\$500-\$1000 PER YEAR

SALUS ANTIMICROBIAL FACE MASKS

COMPARE TO:
5 REUSABLE MASKS PER YEAR

\$50 PER YEAR

TECHNICAL SPECS - MASKS

	<p>STYLE JKM001 Salus Antimicrobial Fabric Pocketed Mask, Product #JKM001, 500/case</p> <p>MATERIALS Outer Shell & Liner: Bio-Graphene Use with Filter JKM003 ASTM Level 3 Surgical Filter Bands: Bio-Graphene</p>	 <p>STYLE JKM003 Salus Antimicrobial Fabric Pocketed Mask, FILTER 3000/case</p> <p>MATERIALS ASTM Level 3 Surgical Filter</p>
	<p>STYLE JKM002 Salus Antimicrobial Fabric Pocketed Mask, Product #JKM002, 500/case</p> <p>MATERIALS Outer Shell & Liner: Bio-Graphene Use with Filter JKM003 ASTM Level 3 Surgical Filter Bands: .5cm Elastic loop</p>	

BRAND	Salus Protective Gear
FILTER INCLUDED	Yes (5) ASTM Level 3 Surgical Filter
CLASS	Comfort Plus, Specialty
COLOR	Black, Grey, Red, Blue, Green / Custom logo heat transfer available
EXHALATION VALVE	No
SIZES AVAILABLE	S, M, L, XL
FEATURES	Antimicrobial Fabric with Antimicrobial Properties
FLAME RESISTANT	No
INDIVIDUALLY WRAPPED	Yes
PACKAGING	Mask: 500/Case - Filter: 3000/Case

Seams and closures have less barrier than fabric. Note: for protection from hazardous or infectious liquids, additional barrier tests are required to establish suitability for use. CAUTION: This information is based upon technical data that Salus believes to be reliable. It is subject to revision as additional knowledge and experience are gained. Salus Protective Gear makes no guarantee of results and assumes no obligation or liability in connection with this information. It is the user's responsibility to determine the level of toxicity and the proper personal protective equipment needed. The information set forth herein reflects laboratory performance of fabrics, not complete garments, under controlled conditions. It is intended for information use by persons having technical skill for evaluation under the specific end-use conditions, at their own discretion and risk. Anyone intending to use this information should first verify that the garment selected is suitable for the intended use. In many cases, seams and closures may provide less barrier than the fabric. If the fabric becomes torn, abraded, or punctured, end-user should discontinue use of garment to avoid compromising the barrier protection. SINCE CONDITIONS OF USE ARE OUTSIDE OUR CONTROL, WE MAKE NO WARRANTIES, EXPRESSED OR IMPLIED, INCLUDING WITHOUT LIMITATION NO WARRANTIES OF MERCHANTABILITY OR FITNESS FOR A PARTICULAR USE AND ASSUME NO LIABILITY IN CONNECTION WITH ANY OF THIS INFORMATION. This information is not intended as a license to operate under or a recommendation to infringe any patent, trademark or technical information of Salus Protective Gear or others covering any material or its use. Data presented does not comprise a product specification. Warning: Salus Protective Gear apparel should not be used around heat, flames, sparks or in potentially flammable or explosive environments.