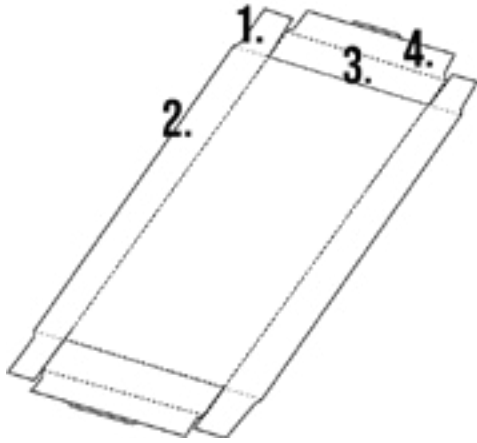




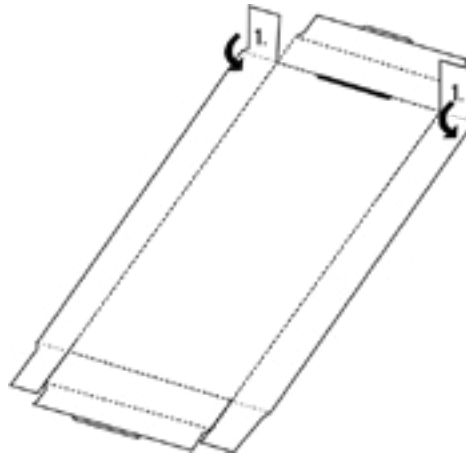
FOLDING INSTRUCTIONS

Comicbook box - Long

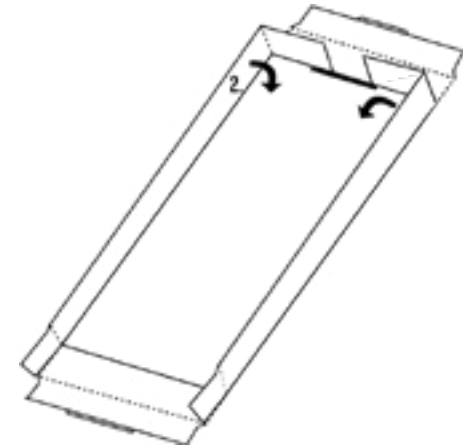
- 1** Starting with the lid. Lay your box out flat. Familiarise yourself with the numbered flaps



- 2** Fold the flaps marked (1) inward.



- 3** Fold the long side folds marked (2) inward so fold (1) meets in the centre.



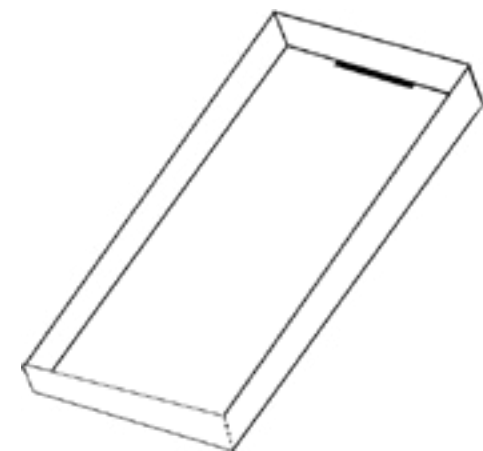
- 4** Take flap (3) and fold it inward so it meets the back of flaps 1.



- 5** Fold flap (4) over the top of flaps (1) so that the tab clicks into place



- 6** Complete steps 2 - 6 on the other end of the box to complete the lid.

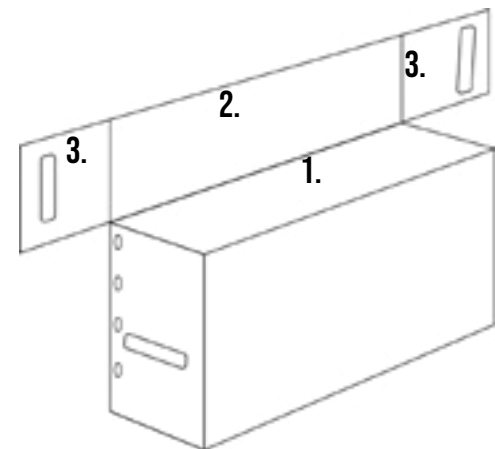




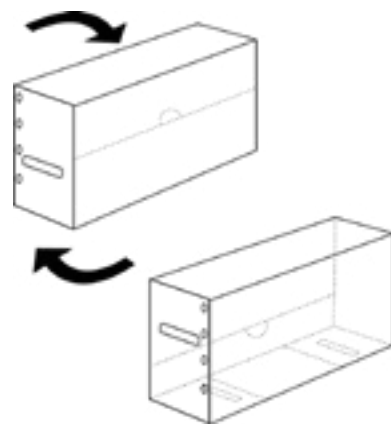
FOLDING INSTRUCTIONS

Comicbook Box - Long

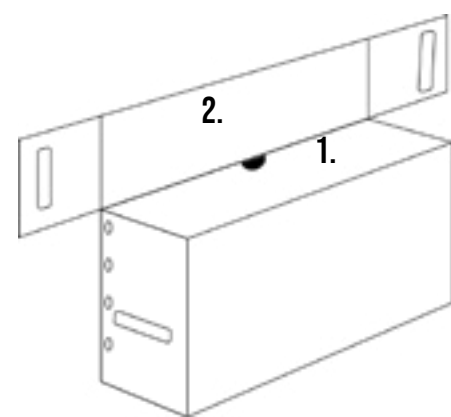
7 Take the box flatpack and open it as shown. Fold flap (1) inward, into the box



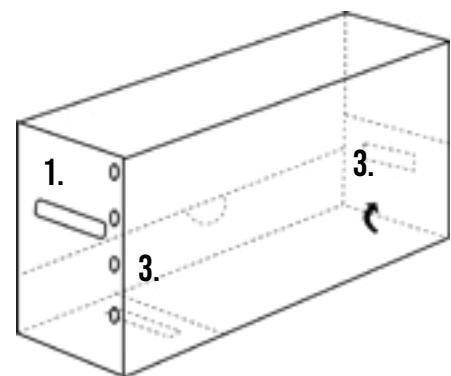
10 Rotate the box so that flap (2) sits on the bottom.



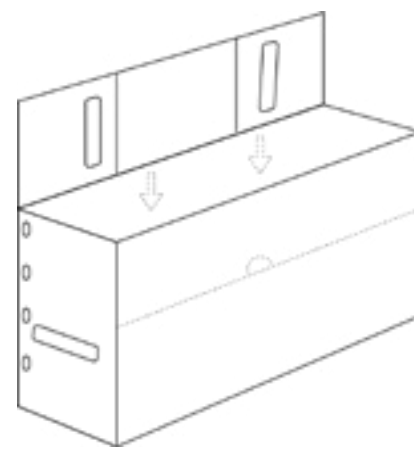
8 Fold the side flaps labelled (3) inward so that they meet at the centre of flap (2)



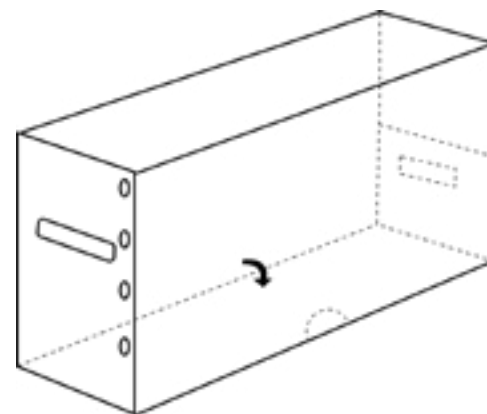
11 Keeping flap (1) against the side of the box, reach into the box and pull up flaps (3) so that they align with the handles on the box.



9 Push flap (1) against the inside of the box. Then, fold flap (2) down into the box. Make sure flaps (3) are folded in before you push flap (2) down



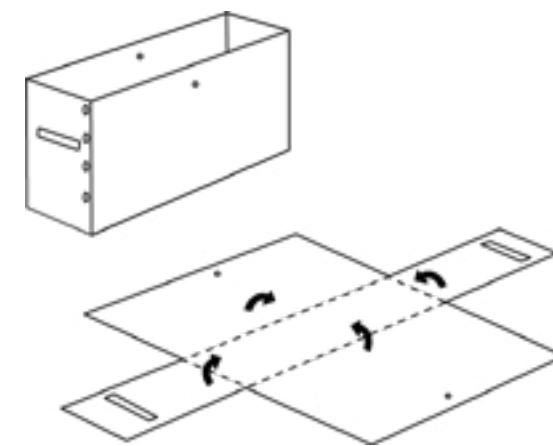
12 With flaps (3) in place at each side. Push flap (1) down so that it sits at the bottom of the box.



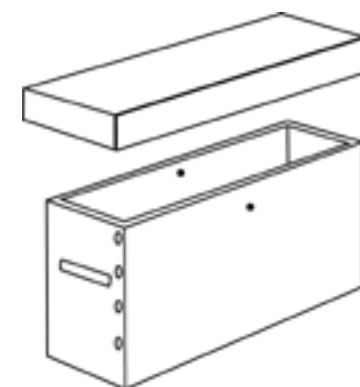
FOLDING INSTRUCTIONS

Comicbook Box - Long

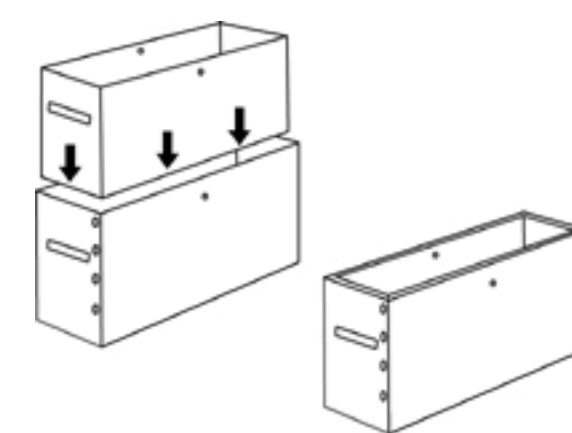
13 With the main box complete, take the inner flat pack and fold all the flaps inward into a box shape.



16 Attach the rivets on both sides of the container so that the inner container is secured and now your box is complete.



14 Slide the inner container into the larger container.



15 Take the rivets (x4) and align them on either side of the holes towards the centre of the box. Push them together and until they click and lock in place. This will securely attach the inner box to the outer box.

