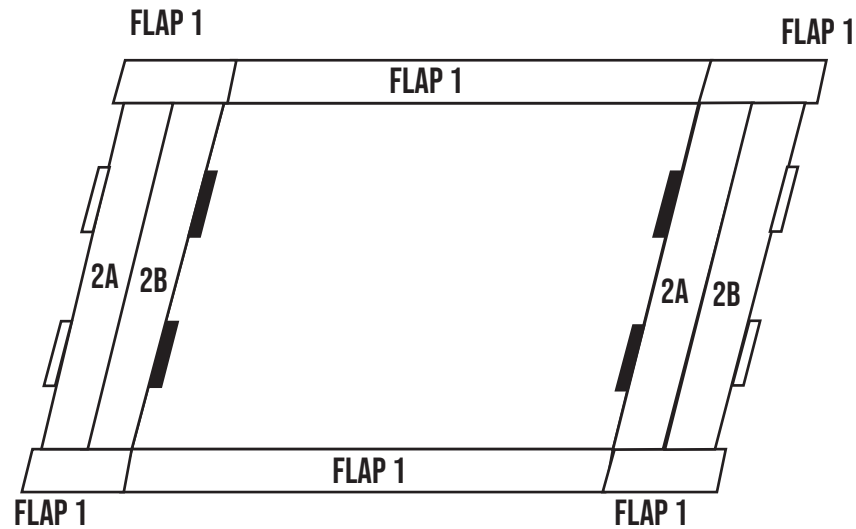


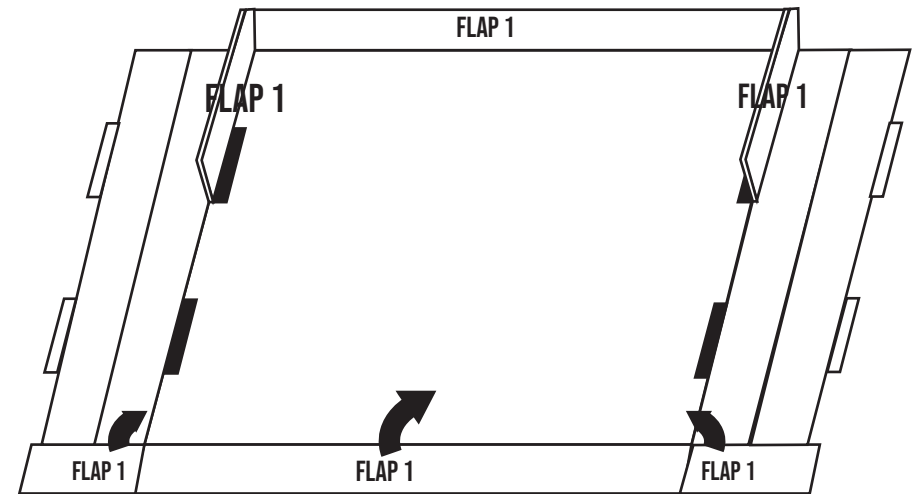
## LID ASSEMBLY INSTRUCTIONS

## Vinyl Record Storage Box

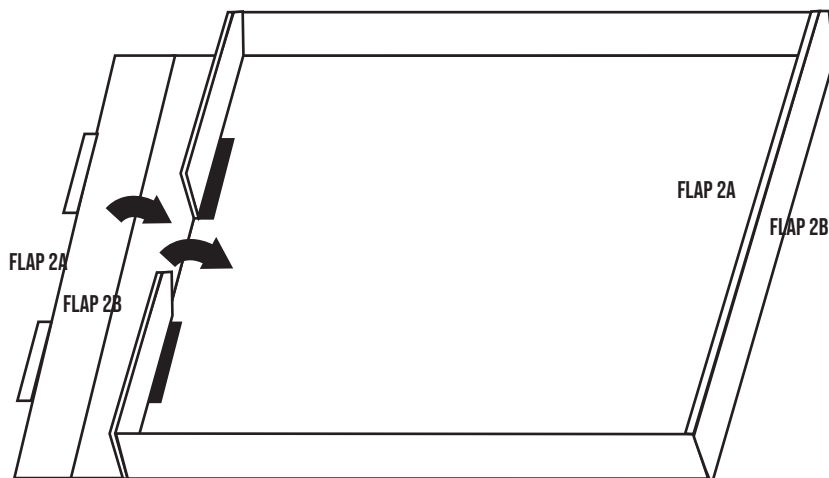
**Archive**  
BOXES.COM.AU



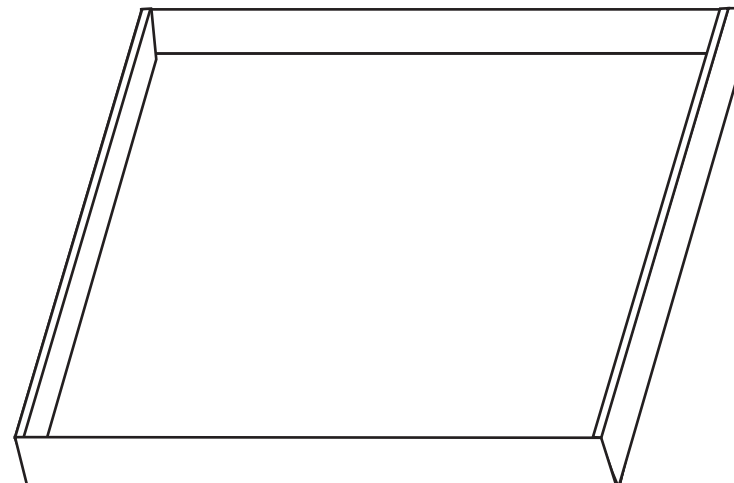
- 1** Fold parts marked FLAP 1 inward towards the center of the lid as shown



- 2** Fold parts marked FLAP 2A and FLAP 2B inward towards the center of the lid as shown below. Ensure that the tabs on FLAP 2A click and latch on to the openings on the center of the lid.



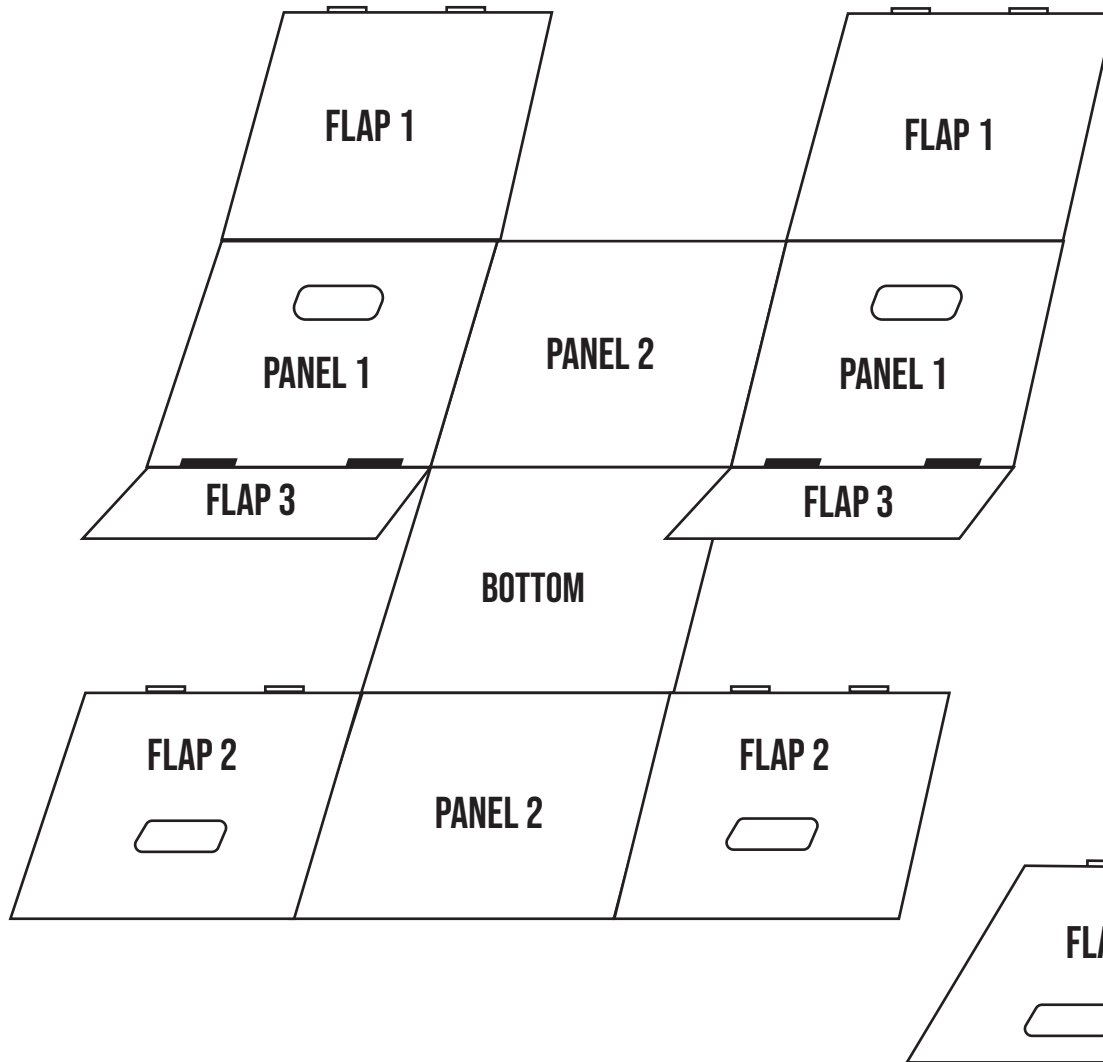
- 3** Your Record Storage Box Lid is now complete.



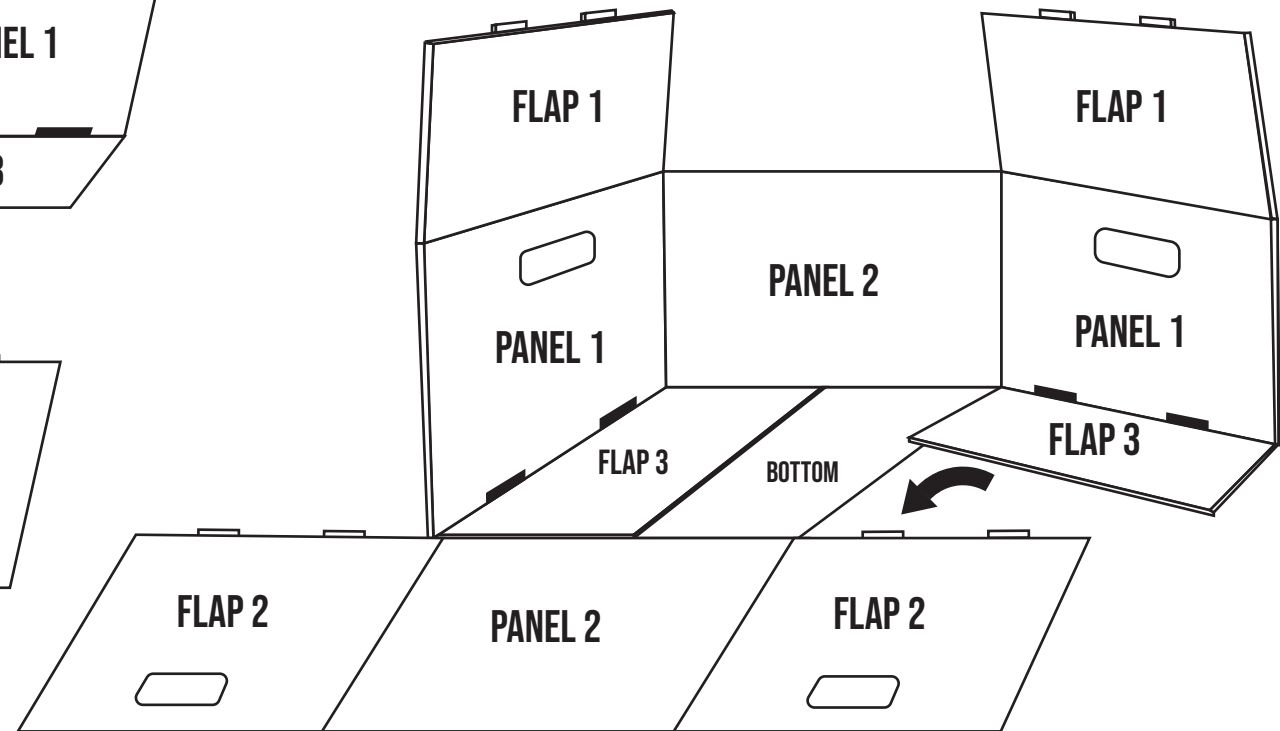
# Vinyl Record Storage Box

**Archive**

BOXES.COM.AU



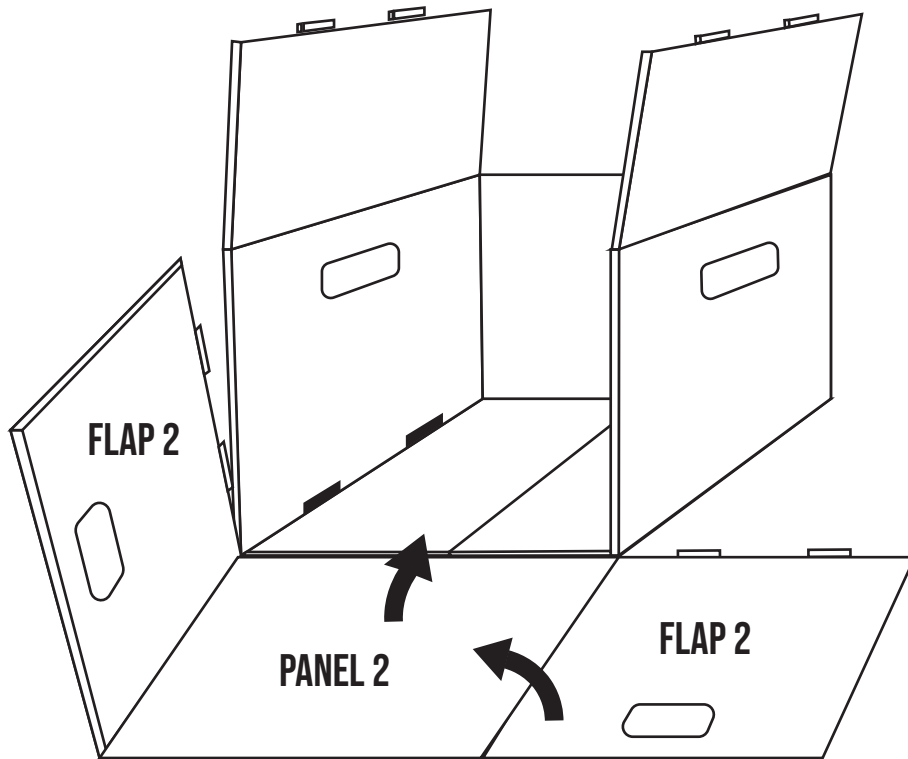
- 1** Parts marked "FLAP 1" and "FLAP 3" are attached to "PANEL 1". Fold "PANEL 1" inwards. "FLAP 3" should be placed on top of the "BOTTOM" portion, as shown below. Your box should now have 3 sides standing.



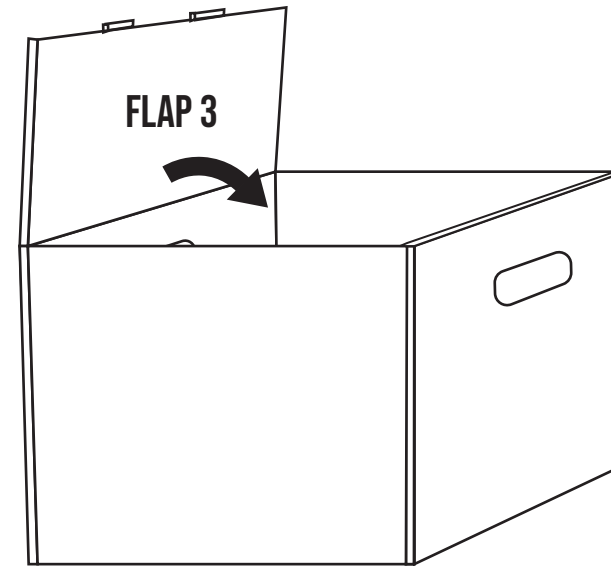
# Vinyl Record Storage Box

**Archive**

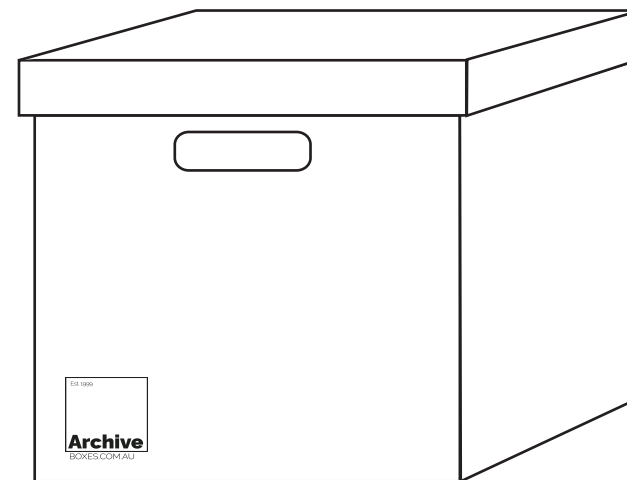
BOXES.COM.AU



- ② Fold parts marked "FLAP 2" inward until they're aligned with parts marked "PANEL 1". Next, fold "PANEL 2" and parts marked "FLAP 2" inwards to complete the four sides of the box. Ensure that the tabs located on "FLAP 2" click and latch on to the openings located on "PANEL 1".



- ③ Fold parts marked "FLAP 3" inward and ensure that the tabs latch on to the openings on "PANEL 1".



- ④ Your Record Storage Box is now complete.