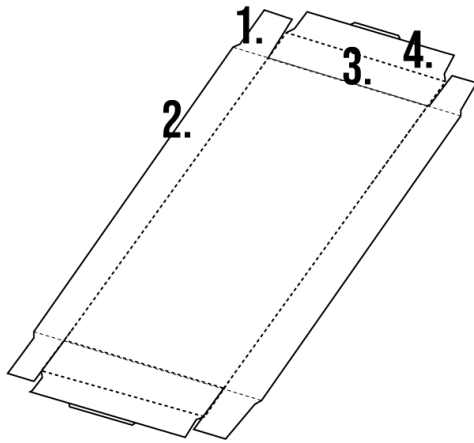


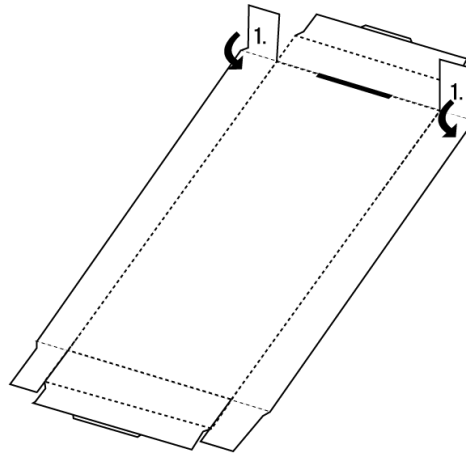
FOLDING INSTRUCTIONS

Comicbook Box - short

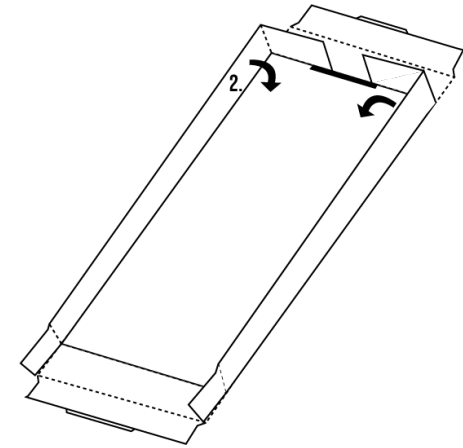
1 Starting with the lid. Lay your box out flat. Familiarise yourself with the numbered flaps



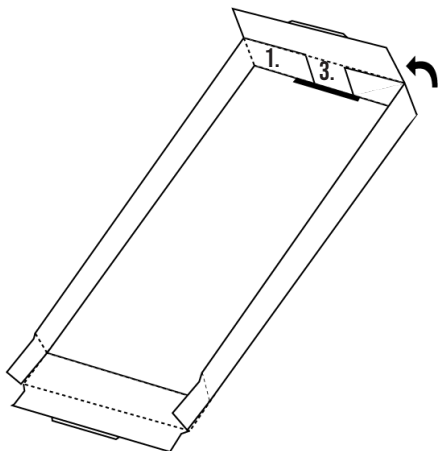
2 Fold the flaps marked (1) inward.



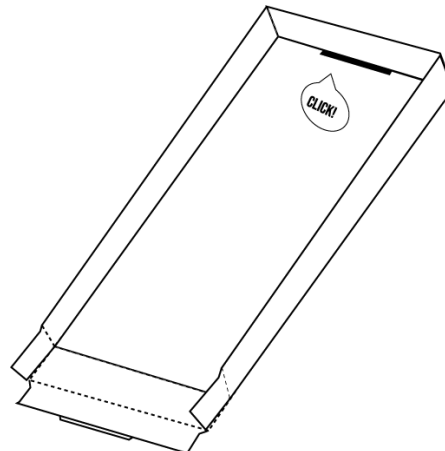
3 Fold the long side folds marked (2) inward so fold (1) meets in the centre.



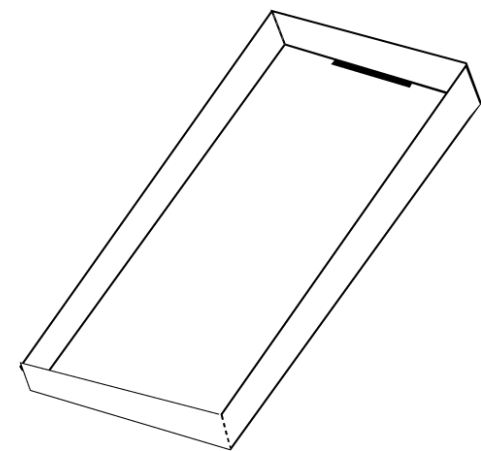
4 Take flap (3) and fold it inward so it meets the back of flaps 1.

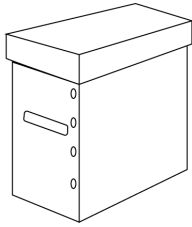


5 Fold flap (4) over the top of flaps (1) so that the tab clicks into place



6 Complete steps 2 - 6 on the other end of the box to complete the lid.

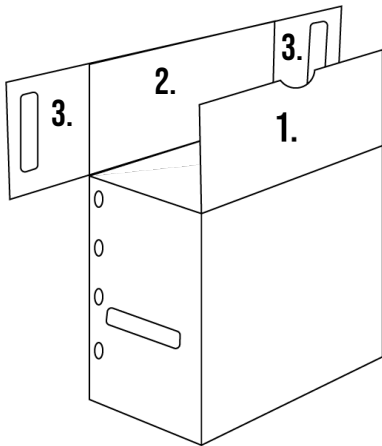




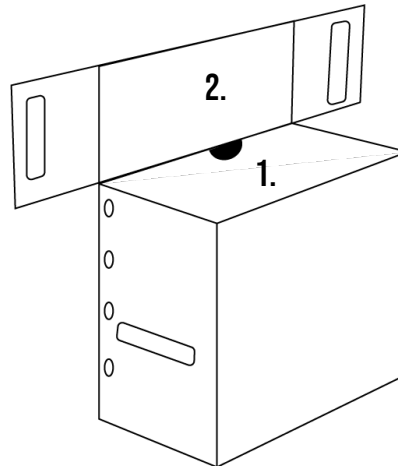
FOLDING INSTRUCTIONS

Comicbook Box - Short

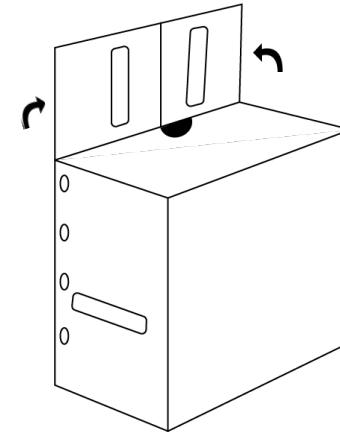
- 7** Take the box flatpack and open it as shown



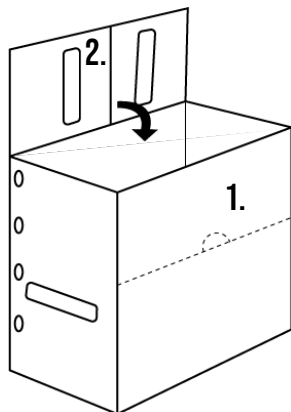
- 8** Fold flap (1) inward, into the box



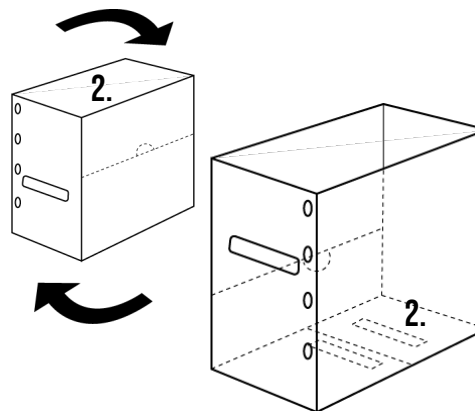
- 9** Fold the side flaps labelled (3) inward so that they meet at the centre of flap (2)



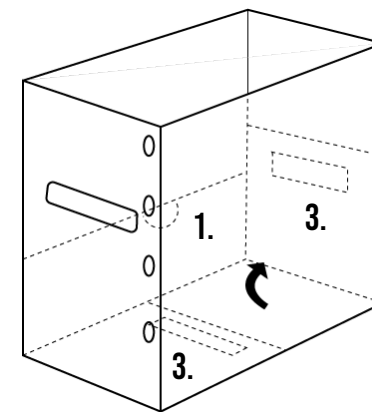
- 10** Push flap (1) against the inside of the box. Then, fold flap (2) down into the box. Make sure flaps (3) are folded in before you push flap (2) down

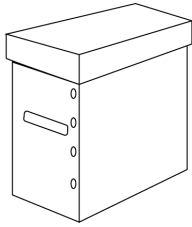


- 11** Rotate the box so that flap (2) sits on the bottom.



- 12** Keeping flap (1) against the side of the box, reach into the box and pull up flaps (3) so that they align with the handles on the box.

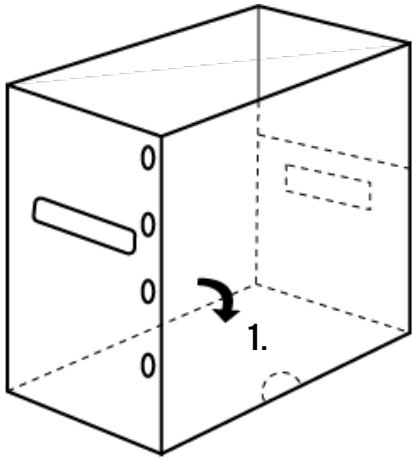




FOLDING INSTRUCTIONS

Comicbook Box - Short

- 13** With flaps (3) in place at each side. Pull flap 1 down so that it sits at the bottom of the box.



- 14** Attach the lid. Your comicbook box is now complete!

