


EDGE TRIMS AND EXTRUSIONS **ONLINE HANDBOOK**



TABLE CONTENT

- EDGE TRIMS
 - EXTRUSIONS
 - CLAYTONRITE GLAZING SEALS
 - SIDE SEALS
 - TOP SEALS
 - U + SQUARE CHANNELS
- 



ABOUT EDGE TRIMS

Edge trims are a durable and flexible sealing solution that are commonly used within the industrial industry as well as the motorhome and caravan industry to protect edges and reduce the chance of injuries occurring from sharp and uneven surfaces.

Edge trims also create a long-term watertight sealing solution. Edge Trims are commonly called boot seals, door seals or hatch seals. The self-grip mechanism securely holds them in place, while the soft sponge bulb/lip ensures a tight and effective seal.

ALL SUPPLIED IN COILS OF 50M IN LENGTH

CUT CONTINUOUS LENGTHS ARE SUPPLIED FROM 1M

**TO PURCHASE ANY OF OUR PRODUCTS, CLICK THE
PRODUCT DRAWING AND IT'LL TAKE YOU STRAIGHT
TO OUR WEBSITE TO ORDER**

DRAWING	GRAPHIC	REFERENCE	COLOUR	GRIP RANGE	DIMENSIONS /Bending Radius
		<p>COR P 1.011</p> <p>PVC WITH STEEL REINFORCEMENT</p>	<p>RED BLACK GREY WHITE</p>	<p>1.0 - 3.0 mm</p>	<p>A= 30 B= 20 C= 20 D= 20</p>
		<p>COR P 1.036</p> <p>PVC WITH STEEL REINFORCEMENT</p>	<p>BLACK WHITE GRIP</p>	<p>6.0 - 8.0 mm</p>	<p>A=40 B=40 C=40 D =40</p>
		<p>COR P 1.154</p> <p>PVC WITH STEEL REINFORCEMENT</p>	<p>WHITE</p>	<p>6.0 - 8.0 mm</p>	<p>A=40 B=40 C=40 D =40</p>
		<p>COR 2006</p> <p>EPDM WITH STEEL REINFORCEMENT</p>	<p>BLACK</p>	<p>1-3 MM PANEL</p>	<p>H: 32MM W: 10.5MM HEIGHT OF FIN: 20.4MM</p>
		<p>COR 4800</p> <p>EPDM</p>	<p>BLACK</p>	<p>1.5 - 3.0 mm</p>	<p>H: 35.4MM W: 5.2MM HEIGHT OF FIN: 26.4MM</p>

DRAWING	GRAPHIC	REFERENCE	COLOUR	GRIP RANGE	DIMENSIONS /Bending Radius
---------	---------	-----------	--------	------------	----------------------------

		<p>COR 2375</p> <p>PVC/ EPDM SPONGE STEEL CARRIER</p>	<p>BLACK</p>	<p>3-4 MM PANEL</p>	<p>H: 15MM W: 23.2MM</p> <p>WIDTH OF FIN: 12MM</p>
--	--	---	--------------	---------------------	--

		<p>COR 2251</p> <p>EPDM WITH STEEL REINFORCEMENT</p>	<p>BLACK</p>	<p>6-8 MM PANEL</p>	<p>H: 15MM W: 12MM</p>
--	--	--	--------------	---------------------	----------------------------

		<p>COR 2009</p> <p>EPDM WITH STEEL REINFORCEMENT + EPDM SPONGE FIN</p>	<p>BLACK</p>	<p>2-3 MM PANEL</p>	<p>H: 16.5MM</p> <p>WIDTH OF FIN: 18MM</p>
--	--	--	--------------	---------------------	--

		<p>COR 022</p> <p>EPDM</p>	<p>BLACK</p>	<p>1.5-3.5MM PANEL</p>	<p>H: 13MM</p> <p>HEIGHT OF FIN: 41MM</p>
--	--	----------------------------	--------------	----------------------------	---



ABOUT SIDE SEALS

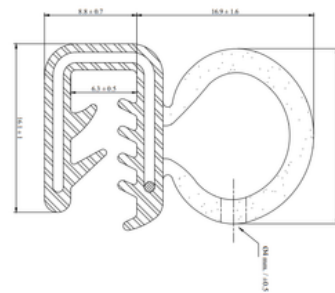

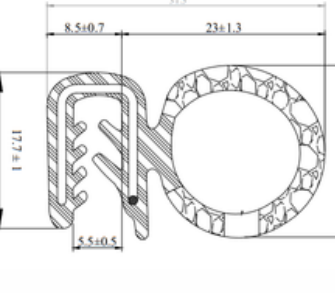

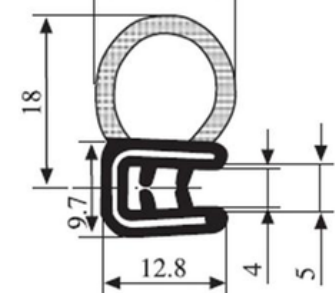

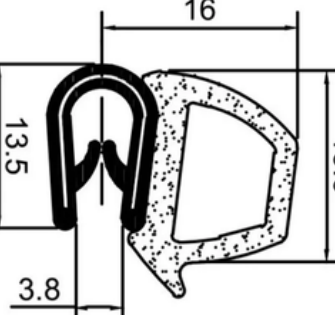



Perfect for:

- Trimming edges of doors
- Sealing car doors
- Enhancing caravan doors
- Adding finishing touches to enclosures, cabinets, and more...

ALL SUPPLIED IN COILS OF 50M IN LENGTH

CUT CONTINUOUS LENGTHS ARE SUPPLIED FROM 1M

***TO PURCHASE ANY OF OUR PRODUCTS, CLICK THE
PRODUCT DRAWING AND IT'LL TAKE YOU
STRAIGHT TO OUR WEBSITE TO ORDER***

DRAWING	GRAPHIC	REFERENCE	COLOUR	GRIP RANGE	DIMENSIONS /BENDING RADIUS
		<p>COR A1.045 EPDM</p>	<p>BLACK</p>	<p>2.0 -4.0 mm</p>	<p>A=70 B=40 C=120 D=180</p>
		<p>COR A1.083 EPDM</p>	<p>BLACK</p>	<p>2.0 - 4.0 mm</p>	<p>A= 120 B=80 C= 140 D =160</p>
		<p>COR 11300 A1.029 PVC</p>	<p>BLACK</p>	<p>1.5 - 3.5 mm</p>	<p>A=40 B=40 C=120 D=150</p>
		<p>COR 2370 PVC</p>	<p>BLACK</p>	<p>2-4 MM PANEL</p>	<p>PLEASE SEE DRAWING FOR DIMENSIONS</p>
		<p>COR 116 PVC</p>	<p>BLACK</p>	<p>1-3MM PANEL</p>	<p>PLEASE SEE DRAWING FOR DIMENSIONS</p>

DRAWING	GRAPHIC	REFERENCE	COLOUR	GRIP RANGE	DIMENSIONS
		<p>COR 2416</p> <p>EPDM RUBBER/ EPDM SPONGE/ STEEL CARRIER</p>	<p>BLACK</p>	<p>1-3MM PANEL</p>	<p>PLEASE SEE DRAWING FOR DIMENSIONS</p>
		<p>COR 2261</p> <p>EPDM RUBBER/ EPDM SPONGE/ STEEL CARRIER</p>	<p>BLACK</p>	<p>2-4 MM PANEL</p>	<p>PLEASE SEE DRAWING FOR DIMENSIONS</p>
		<p>COR 2218</p> <p>EPDM RUBBER/ EPDM SPONGE/ STEEL CARRIER</p>	<p>BLACK</p>	<p>4-6 MM PANEL</p>	<p>PLEASE SEE DRAWING FOR DIMENSIONS</p>
	<p>IMAGE ON REQUEST</p>	<p>COR 2209</p> <p>PVC EPDM BUBBLE STEEL REINFORCEMENT</p>	<p>BLACK</p>	<p>1-3MM PANEL</p>	<p>PLEASE SEE DRAWING FOR DIMENSIONS</p>
	<p>IMAGE ON REQUEST</p>	<p>COR 2208</p> <p>PVC/ EPDM SPONGE/ STEEL CARRIER</p>	<p>BLACK</p>	<p>2.5-4MM PANEL</p>	<p>PLEASE SEE DRAWING FOR DIMENSIONS</p>

DRAWING	GRAPHIC	REFERENCE	COLOUR	GRIP RANGE	DIMENSIONS /BEND RADIUS
		<p>COR 2008</p> <p>EPDM RUBBER/ EPDM SPONGE/ STEEL CARRIER</p>	<p>BLACK</p>	<p>2-4 MM PANEL</p>	<p>PLEASE SEE DRAWING FOR DIMENSIONS</p>
		<p>COR 1959</p> <p>PVC/ EPDM SPONGE/ STEEL CARRIER</p>	<p>BLACK</p>	<p>1-2 MM PANEL</p>	<p>PLEASE SEE DRAWING FOR DIMENSIONS</p>
		<p>COR 115</p> <p>EPDM/ EPDM SPONGE STEEL CARRIER</p>	<p>BLACK</p>	<p>2-3 MM PANEL</p>	<p>PLEASE SEE DRAWING FOR DIMENSIONS</p>
		<p>COR 1.001</p> <p>EPDM EPDM SPONGE STEEL CARRIER</p>	<p>BLACK</p>	<p>1.0 - 2.0mm</p>	<p>A=30 B=40 C=60 D=30</p>
		<p>COR 2439</p> <p>EPDM EPDM SPONGE STEEL CARRIER</p>	<p>BLACK</p>	<p>3.0 - 5.0 mm</p>	<p>A= 120 B= 80 C= - D= -</p>


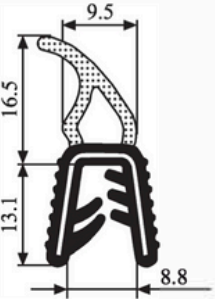


ABOUT TOP SEALS

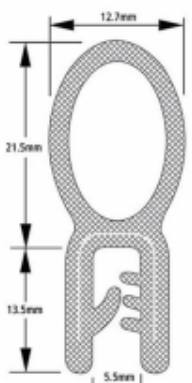

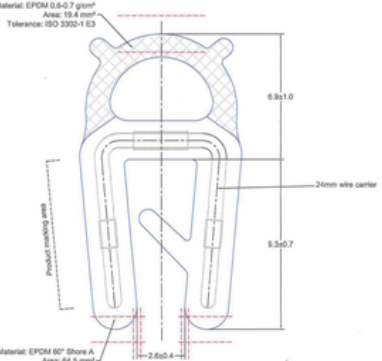

ALL SUPPLIED IN COILS OF 50M IN LENGTH

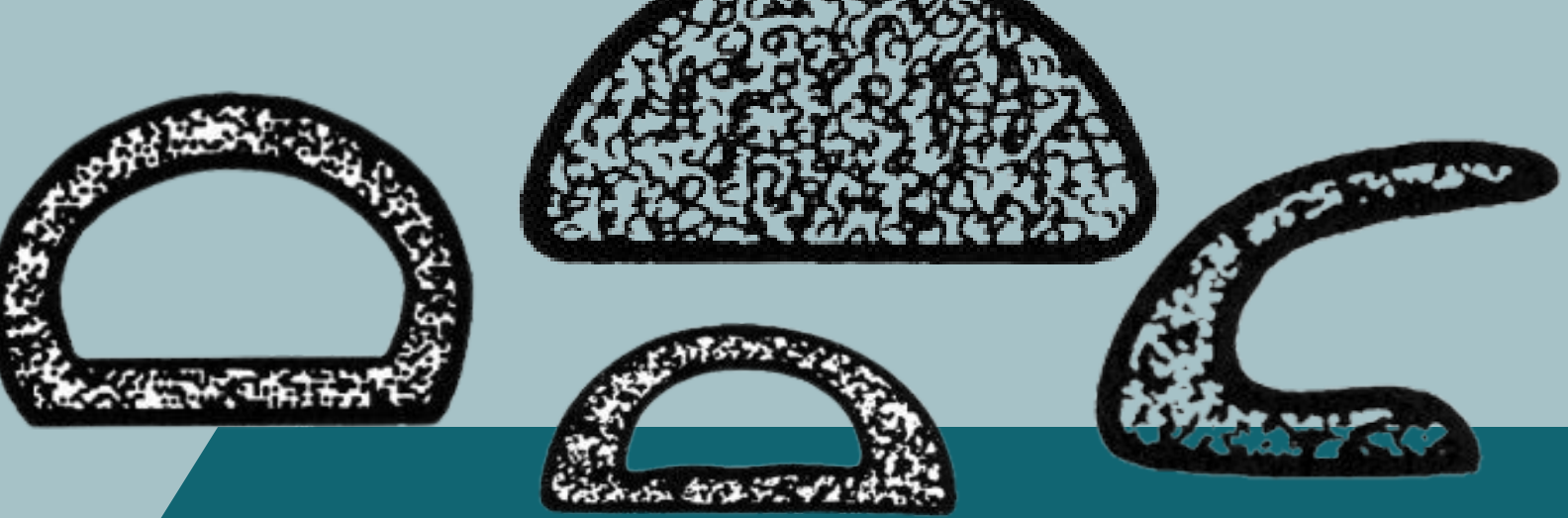
CUT CONTINUOUS LENGTHS ARE SUPPLIED FROM 1M

***TO PURCHASE ANY OF OUR PRODUCTS, CLICK THE
PRODUCT DRAWING AND IT'LL TAKE YOU
STRAIGHT TO OUR WEBSITE TO ORDER***

DRAWING	GRAPHIC	REFERENCE	COLOUR	GRIP RANGE	DIMENSIONS /BEND RADIUS
	<p>IMAGE ON REQUEST</p>	<p>COR 2263</p>	<p>BLACK</p>	<p>1 - 3MM</p>	<p>PLEASE SEE DRAWING FOR DIMENSIONS</p>
		<p>COR 2.059 EPDM</p>	<p>BLACK</p>	<p>2.5 - 4.0 mm</p>	<p>A= - B=- C=120 D=80</p>
		<p>COR-A 2.052 EPDM</p>	<p>BLACK</p>	<p>1.0 - 3.0 mm</p>	<p>A=80 B= 180 C=40 D =40</p>
		<p>COR-A 2.011 EPDM</p>	<p>BLACK</p>	<p>1.0 - 2.0mm</p>	<p>A=30 B=40 C=60 D=30</p>
		<p>COR-A 2.010 EPDM</p>	<p>BLACK</p>	<p>2.0 - 4.0mm</p>	<p>A=50 B=- C=40 D =80</p>


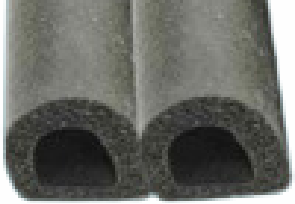
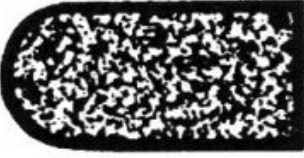



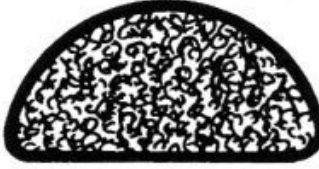
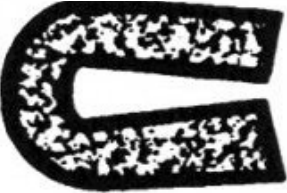
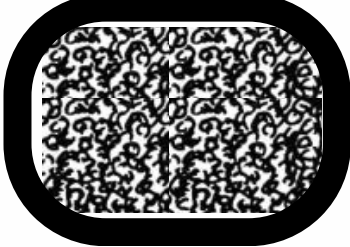

DRAWING	GRAPHIC	REFERENCE	COLOUR	GRIP RANGE	DIMENSIONS /BEND RADIUS
		<p>COR A2.002 EPDM</p>	<p>BLACK</p>	<p>1.0 - 1.5 mm</p>	<p>A= 50 B= 80 C= 20 D= 20</p>
		<p>COR 4500 EPDM</p>	<p>BLACK</p>	<p>2.5-5mm</p>	<p>PLEASE SEE DRAWING FOR DIMENSIONS</p>
		<p>COR 2380 EPDM/ EPDM SPONGE WIRE CARRIER</p>	<p>BLACK</p>	<p>0.5-1.5mm</p>	<p>PLEASE SEE DRAWING FOR DIMENSIONS</p>
		<p>COR 2343 EPDM EPDM SPONGE STEEL CARRIER</p>	<p>BLACK</p>	<p>1-3 MM PANEL</p>	<p>PLEASE SEE DRAWING FOR DIMENSIONS</p>
		<p>COR 2193 EPDM EPDM SPONGE WIRE CARRIER</p>	<p>BLACK</p>	<p>1-3 MM PANEL</p>	<p>PLEASE SEE DRAWING FOR DIMENSIONS</p>

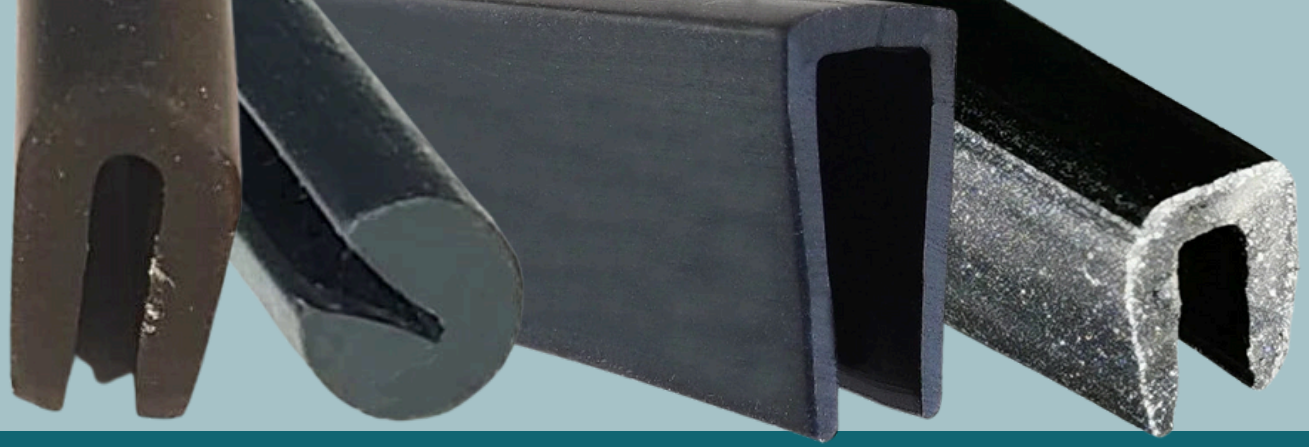
DRAWING	GRAPHIC	REFERENCE	COLOUR	GRIP RANGE	DIMENSIONS /BEND RADIUS
		<p>COR 047 EPDM SOLID WIRE CARRIER</p>	<p>BLACK</p>	<p>1.5-3 MM PANEL</p>	<p>PLEASE SEE DRAWING FOR DIMENSIONS</p>
		<p>COR 036 EPDM SOLID EPDM SPONGE WIRE CARRIER</p>	<p>BLACK</p>	<p>1.5-3 MM PANEL</p>	<p>PLEASE SEE DRAWING FOR DIMENSIONS</p>



ABOUT **EXTRUSIONS**

***TO PURCHASE ANY OF OUR PRODUCTS, CLICK THE
PRODUCT DRAWING AND IT'LL TAKE YOU
STRAIGHT TO OUR WEBSITE TO ORDER***

DRAWING	GRAPHIC	REFERENCE	COLOUR	DIMENSIONS /Bending Radius
		Double D HOLLOW FOAM SEAL EPDM	BLACK	TWO SIZES 26mm W x 10mm H 17mm W x 10mm H
	IMAGE ON REQUEST	S0021 EPDM	BLACK	H: 9.5MM W: 19MM
	IMAGE ON REQUEST	S0027 EPDM	BLACK	H: 16MM W: 13.5MM
		S0078 EPDM	BLACK	H: 17MM W: 23MM T: MM
	IMAGE ON REQUEST	S0070 EPDM	BLACK	H: 12.4MM W: 25MM
	IMAGE ON REQUEST	S0026 Foam closed cell u channel EPDM	BLACK	H: 11.5MM T: 4.25MM
		MARINE HATCH SEALS	BLACK	DIFFERENT SIZES AVAILABLE

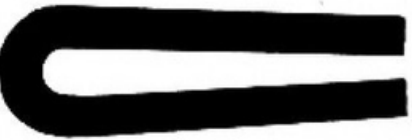
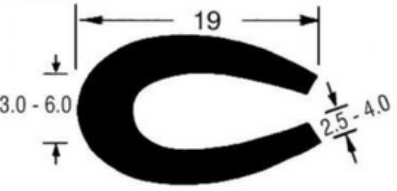
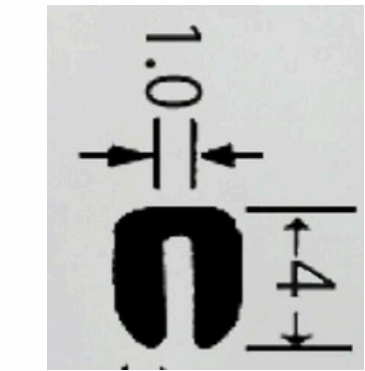

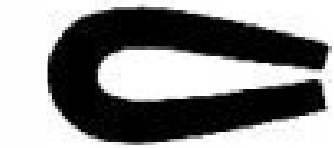
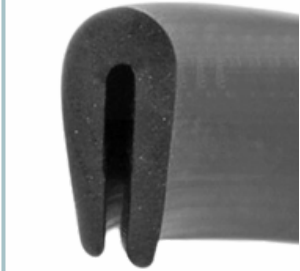
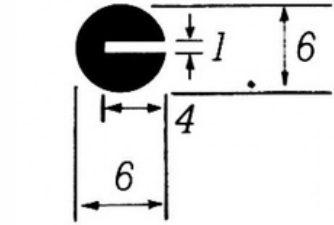
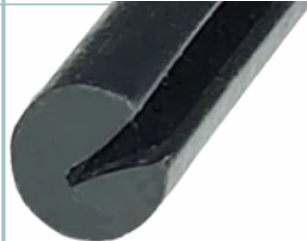
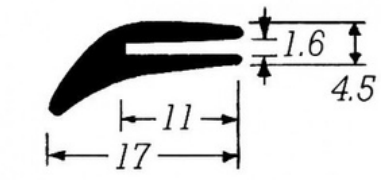


ABOUT U AND SQUARE CHANNELS

ALL SUPPLIED IN COILS OF 50M IN LENGTH

CUT CONTINUOUS LENGTHS ARE SUPPLIED FROM 1M

***TO PURCHASE ANY OF OUR PRODUCTS, CLICK THE
PRODUCT DRAWING AND IT'LL TAKE YOU
STRAIGHT TO OUR WEBSITE TO ORDER***

DRAWING	GRAPHIC	REFERENCE	COLOUR	DIMENSIONS /BEND RADIUS
	IMAGE ON REQUEST	COR 004 EPDM	BLACK	H:17mm T: 1.6mm
	IMAGE ON REQUEST	COR 1638 EPDM	BLACK	PLEASE SEE DRAWING FOR DIMENSIONS
		COR 1490 NEOPRENE	BLACK	PLEASE SEE DRAWING FOR DIMENSIONS
		COR 1A EPDM	BLACK	H: 10MM W:5MM
		COR 1217 EPDM	BLACK	PLEASE SEE DRAWING FOR DIMENSIONS
	IMAGE ON REQUEST	COR 1505 FINNED EPDM	BLACK	PLEASE SEE DRAWING FOR DIMENSIONS



ABOUT **CLAYTONRITE GLAZING SEALS**

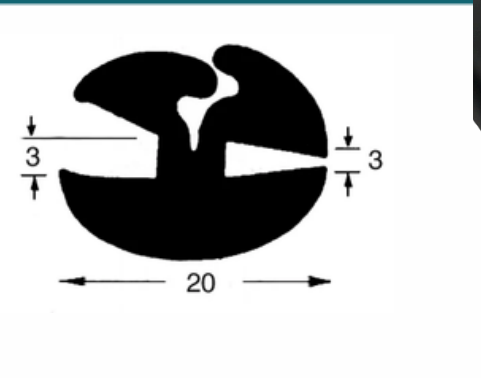
ALL SUPPLIED IN COILS OF 50M IN LENGTH

CUT CONTINUOUS LENGTHS ARE SUPPLIED FROM 1M

***TO PURCHASE ANY OF OUR PRODUCTS, CLICK THE
PRODUCT DRAWING AND IT'LL TAKE YOU
STRAIGHT TO OUR WEBSITE TO ORDER***

DRAWING	GRAPHIC	REFERENCE	COLOUR	DIMENSIONS
		<p>COR 884 4.5MM EPDM S SHAPED RUBBER SECTION GLAZING SEAL</p>	<p>BLACK</p>	<p>PLEASE SEE DRAWING FOR DIMENSIONS</p>
		<p>COR 884-6 EPDM S SHAPED RUBBER SECTION</p>	<p>BLACK</p>	<p>PLEASE SEE DRAWING FOR DIMENSIONS</p>
		<p>COR 1096 EPDM</p>	<p>BLACK</p>	<p>PLEASE SEE DRAWING FOR DIMENSIONS</p>
		<p>COR 209/E EPDM</p>	<p>BLACK</p>	<p>A – PANEL = 6mm B – GLASS = 6mm C – WEB = 7mm D – OVERALL = 24.5mm</p>
		<p>COR 1239 EPDM</p>	<p>BLACK</p>	<p>PLEASE SEE DRAWING FOR DIMENSIONS</p>

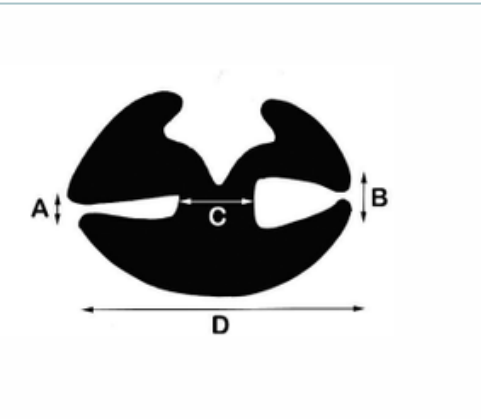
DRAWING	GRAPHIC	REFERENCE	COLOUR	DIMENSIONS
---------	---------	-----------	--------	------------



COR 1371
EPDM

BLACK

PLEASE SEE
DRAWING FOR
DIMENSIONS



COR 255/E
PVC

BLACK

A – PANEL = 2mm
B – GLASS = 5mm
C – WEB = 6mm
D – OVERALL = 21mm

A dark, high-contrast photograph of industrial machinery, possibly a pump or valve assembly, is visible in the background on the left side of the page. The right side of the page is a solid teal color.

CONTACT OUR SALES TEAM

01787282444

www.corseal.co.uk

sales@corseal.co.uk

Unit 5A Bull Lane Industrial Estate, Bull
Lane, Acton, Sudbury, Suffolk. CO10 0BD