

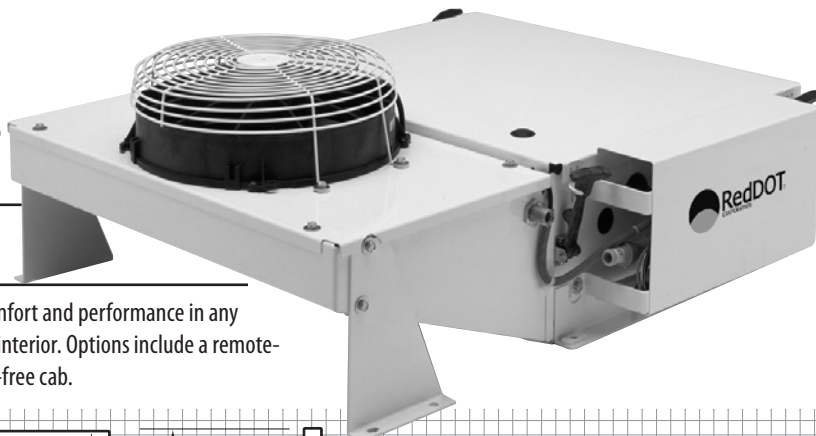
## OFF-ROAD

Ship LTL Only

# R-9757 Rooftop

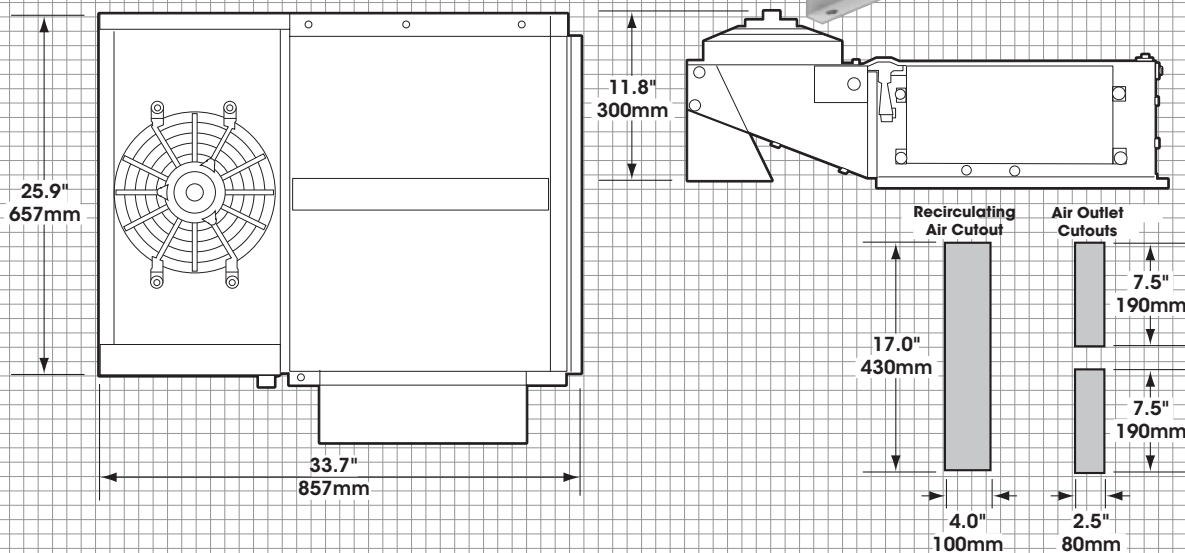
Heater/Air Conditioner

CONSTRUCTION • MINING • AGRICULTURE



With heating and cooling, the R-9757 rooftop unit delivers comfort and performance in any environment. The low-profile ceiling plenum blends with any interior. Options include a remote-mount filter and in-line booster blower for a pressurized, dust-free cab.

HEATER-A/C



### R-9757 SPECIFICATIONS

<b>BTUs</b>	Heating – 45,000 BTU/Hr @ 100°F (13.2 kw @ 37.8°C) air temperature rise Cooling – 25,000 BTU/Hr with 36°F (7.3 kw with 2.2°C) refrigerant temperature and 80°F (26.7°C) wet bulb entering air	
<b>AIR FLOW</b>	400 CFM (680 m³/h)	
<b>WEIGHT</b>	135 lbs. (61kg)	
<b>MOTORS</b>	Evaporator – One 12 VDC, three speed (24 VDC available)	Condenser – One 12 VDC low profile (24 VDC available)
<b>CURRENT</b>	38.2 amps @ 13.6 VDC (includes 4 amps for A/C clutch)	
<b>DRAW</b>	19.1 amps @ 27.2 VDC (includes 2 amps for A/C clutch)	

### R-9757 SYSTEM ORDERING GUIDE

	R-134a	NOTES
<b>UNITS</b>	R-9757-0P R-9757-0-24P	12 VDC - Heater A/C 24 VDC - Heater A/C
<b>CONDENSER</b>	Contained in the R-9757	
<b>INSTALLATION KIT</b>	78R1805	Refrigerant hose, fittings and hardware.
<b>OPTIONS</b>	Replacement Filter Paper Replacement Filter Remote Mount Filters **  Replacement Filters Replacement Gasket Kit Replacement Recirc. Filter In-Line Booster Pressurizers *  Replacement Receiver Drier	RD-3-6406-1P (Fresh Air Filter Box) RD-3-6407-0P (Fresh Air Filter Box) 78R5100 (Horizontal) 78R5110 (Vertical) 78R5210 (Remote Mount) RD-3-9706-0P (Gasket Kit) 78R5370 73R9202 (12 VDC) For use with Remote Mount Filters 73R9204 (24 VDC) 74R2546
<b>COMPRESSOR</b>	Requires compressor and mounting kit	See Compressor Section

\* Booster Pressurizer can only be used with Remote Mount Filters

\*\* Must be used with In-line Booster Pressurizer