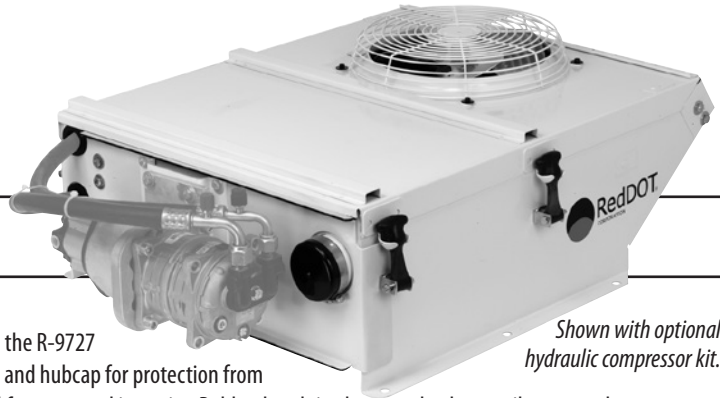


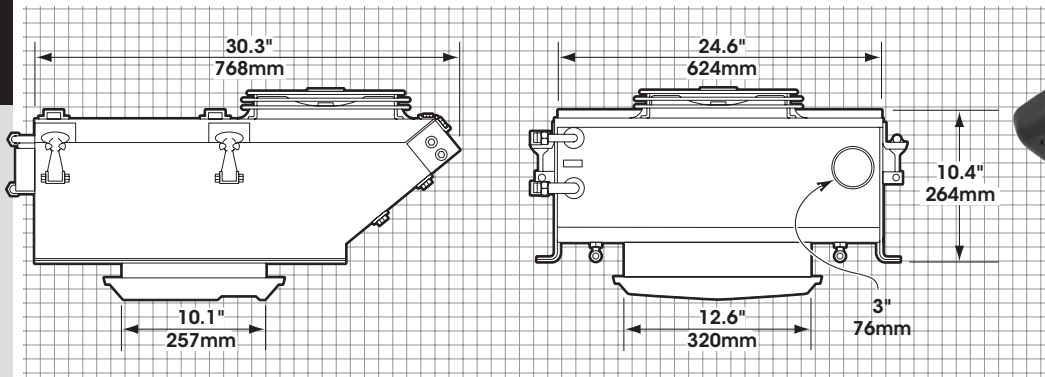
**OFF-ROAD**  
 Ship LTL Only  
**R-9727 Rooftop**  
 Air Conditioner

**CONSTRUCTION • MINING • AGRICULTURE**



*Shown with optional hydraulic compressor kit.*

The R-9727 sets the standard for rooftop air conditioners in tough work environments. Renowned for its build quality, reliability, and performance, the R-9727 uses a sealed, long-life evaporator and condenser motor with a slinger ring and hubcap for protection from weather and dust. The heavy-gauge steel casing is gusseted and reinforced for structural integrity. Rubber hood tie-downs unlatch to easily expose the components for service. Options include a hydraulic compressor kit, remote-mount filter, and in-line booster blower for a pressurized, dust-free cab.



*Low profile ceiling plenum blends with any interior.*

**R-9727 SPECIFICATIONS**

<b>BTUS</b>	Cooling – 22,000 BTU/Hr with 36°F (6.4 kw w/2.2°C) refrigerant temperature and 80°F (26.7°C) wet bulb entering air	
<b>AIR FLOW</b>	Evaporator – 320 CFM (544 m3/h) Condenser – 850 CFM (1444 m3/h)	
<b>WEIGHT</b>	104 Lbs (47 Kg)	
<b>MOTORS</b>	Evaporator – One 12 VDC, three-speed, 24 VDC available	Condenser – One 12 VDC, single-speed, 24 VDC available
<b>CURRENT</b>	29 amps @ 13.6 VDC (includes 4 amps for A/C clutch)	
<b>DRAW</b>	15 amps @ 27.2 VDC (includes 2 amps for A/C clutch)	
<b>CONTROLS</b>	Three speed blower and adjustable thermostat	

**R-9727 SYSTEM ORDERING GUIDE**

	<b>R-134a</b>	<b>NOTES</b>
<b>UNITS</b>	R-9727-2P R-9727-2-24P	12 VDC 24 VDC
<b>CONDENSER</b>	Contained in R-9727 Unit	
<b>INSTALLATION KIT</b>	78R1605	Refrigerant hose and fittings
<b>OPTIONS</b>	Winter Cover Stiffener Brackets Remote Mount Filters ** Remote Mount Filters ** Replacement Filters Replacement Gasket Kit Replacement Recirc. Filter Pressurizer Inlet Cap In-Line Booster Pressurizers *  Replacement Receiver Drier Replacement Plenum Hydraulic Compressor Kit	RD-5-4031-0P RD-3-5790-0P 78R5100 (Horizontal) 78R5110 (Vertical) 78R5210 (Remote Mount) RD-2-0961-0P 78R5300 RD-5-6423-0P 73R9202 (12 VDC) For use with Remote Mount Filters 73R9204 (24 VDC) 74R2536 RD-2-5974-0P RD-5-13484-0P
<b>COMPRESSOR</b>	Requires compressor and mounting kit	See Compressor Section

\* Booster Pressurizer Can Only Be Used With Remote Mount Filters

\*\* Must be used with In-line Booster Pressurizer