

R-290

Auxiliary Heater (Single Blower)

The R-290 is a compact, high-velocity heater with a single three-speed blower motor. A defrost hose adapter is available for ducting air.

R-290 SPECIFICATIONS

BTUS	20,000 BTU/Hr @ 150°F (kw 5.86 @ 65.6°C) air temp. rise	
AIR FLOW	220 CFM (373 m ³ /h)	
WEIGHT	7 lbs. (3 kg)	
CURRENT DRAW	4.3 amps @ 13.6 VDC (high speed) 2.7 amps @ 27.2 VDC (high speed)	
MODELS	R-290-0P	(12 VDC), 5/8 fitting rear exit
	R-290-0-24P	(24 VDC), 5/8 fitting rear exit
	R-290-4P	(12 VDC), 5/8 fitting floor exit
	LS R-290-4-24P	(24 VDC), 5/8 fitting floor exit

LS = Limited to stock on hand

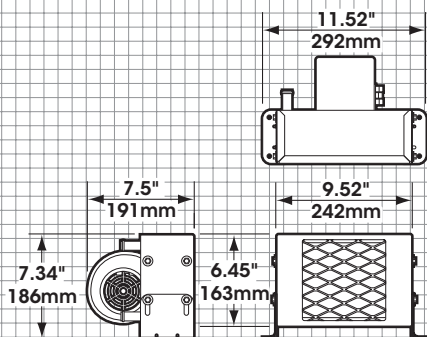


OPTIONS:

Defrost Hose Outlet Adapter	Switch	Knob
3 1/2" RD-1-0639-0P	71R1150	71R4050

Control Panel

71R5821 Heater control – Three-speed motor switch with manual water valve control



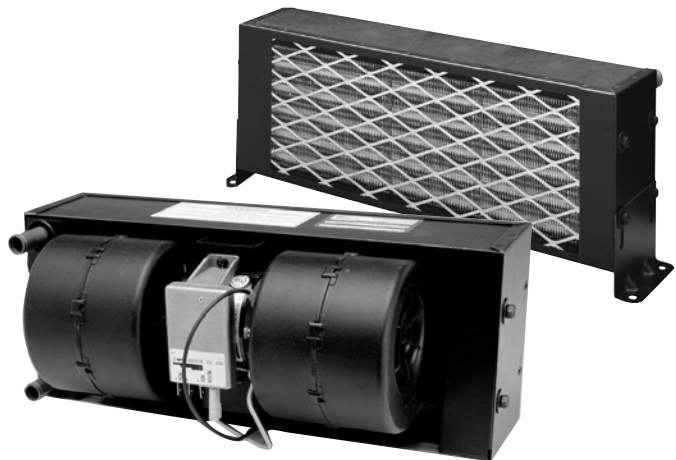
R-295

Auxiliary Heater (Double Blower)

With a three-speed blower motor, the R-295 produces 430 CFM—a powerful, compact, and robust heater. A defrost hose adapter is available for ducting air.

R-295 SPECIFICATIONS

BTUS	35,000 BTU/Hr @ 180°F (kw 10.25 @ 82°C) air temp. rise	
AIR FLOW	430 CFM (730 m ³ /h)	
WEIGHT	11 lbs. (5 kg)	
CURRENT DRAW	16 amps @ 13.6 VDC (high speed) 7 amps @ 27.2 VDC (high speed)	
UNITS	R-295-0P	(12 VDC), 5/8 fitting rear exit
	R-295-0-24P	(24 VDC), 5/8 fitting rear exit
	R-295-4P	(12 VDC), 5/8 fitting floor exit



OPTIONS:

Defrost Hose Outlet Adapter	Switch	Knob
3 1/2" RD-1-0639-0P (uses two)	71R1150	71R4050

Control Panel

71R5821 Heater control – Three-speed motor switch with manual water valve control

