

Brewing Guide

French Press



<i>Grind</i>	<i>Coarse</i>
<i>Measure</i>	<i>3¹/₂ tbspoons coffee - 16 fl oz water</i>
<i>Water Temperature</i>	<i>195-205°F</i>
<i>Brew Time</i>	<i>3-5 mins</i>

Clever Dripper/V60/Manual Dripper



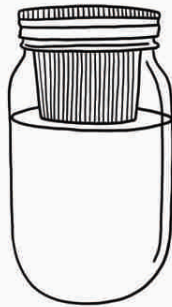
<i>Grind</i>	<i>Medium / Medium-Coarse</i>
<i>Measure</i>	<i>3 tbspoons coffee - 20 fl oz water</i>
<i>Water Temperature</i>	<i>195-205°F</i>
<i>Brew Time</i>	<i>2-3 mins</i>

Chemex



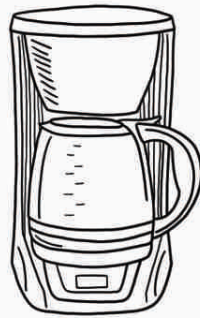
<i>Grind</i>	<i>Medium-Coarse</i>
<i>Measure</i>	<i>3 tablespoons coffee - 16 fl oz water</i>
<i>Water Temperature</i>	<i>195-205°F</i>
<i>Brew Time</i>	<i>2-4 mins</i>

ColdBrew



<i>Grind</i>	<i>Very Coarse</i>
<i>Measure</i>	<i>6 tablespoons coffee - 24 fl oz water</i>
<i>Water Temperature</i>	<i>20-30°F</i>
<i>Brew Time</i>	<i>12-24hrs</i>

Auto-Drip



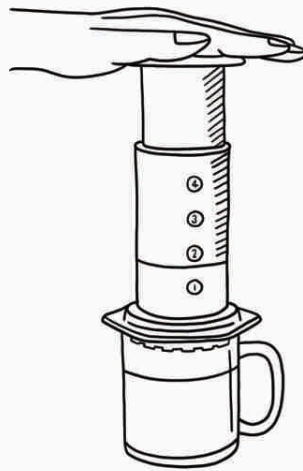
<i>Grind</i>	<i>Medium</i>
<i>Measure</i>	<i>3¹/₂ tablespoons coffee - 20 fl oz water</i>
<i>Water Temperature</i>	<i>195-205°F</i>
<i>Brew Time</i>	<i>5-7mins</i>

Siphon/Vacuum Brewers



<i>Grind</i>	<i>Medium/Medium-Fine</i>
<i>Measure</i>	<i>2¹/₂ tablespoons coffee - 12 fl oz water</i>
<i>Water Temperature</i>	<i>195-205°F</i>
<i>Brew Time</i>	<i>4-5mins</i>

Aeropress



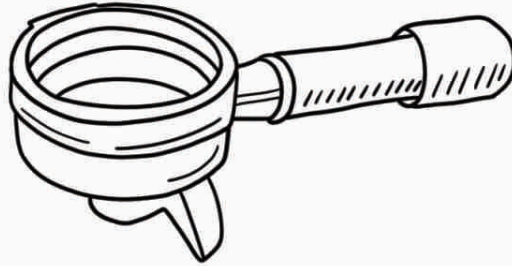
<i>Grind</i>	<i>Medium / Medium-Fine / Fine</i>
<i>Measure</i>	<i>2 tablespoons coffee - 8 fl oz water</i>
<i>Water Temperature</i>	<i>175-185°F</i>
<i>Brew Time</i>	<i>2-4mins</i>

Moka Pot (Stovetop Espresso)



<i>Grind</i>	<i>Fine</i>
<i>Measure</i>	<i>$\frac{3}{4}$ tablespoon coffee - 8 fl oz water</i>
<i>Water Temperature</i>	<i>195-205°F</i>
<i>Brew Time</i>	<i>2-3mins</i>

Espresso



<i>Grind</i>	<i>Fine</i>
<i>Measure</i>	<i>1 tablespoon coffee – 1-2 fl oz water</i>
<i>Water Temperature</i>	<i>195-205°F</i>
<i>Brew Time</i>	<i>30 seconds</i>