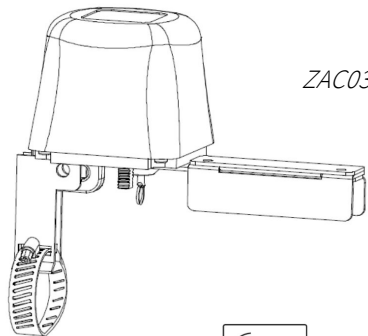


Z-WAVE VALVE CONTROL



ZAC03



Z-Wave Certified Device
ZC10-15100018

Model Number: ZAC03
Z-Wave Signal Frequency: 908.42 MHz
Power: 12V/1A
Range: Up to 100 feet line of sight
Installation and Use: Indoor only
In the box: Valve control, power adapter, mounting hardware

Z-WAVE COMMAND CLASSES

This device requires the following command classes to be supported and recognized by your Z-Wave controller:

- COMMAND_CLASS_BASIC
- COMMAND_CLASS_VERSION
- COMMAND_CLASS_ZWAVEPLUS_INFO
- COMMAND_CLASS_MANUFACTURE_SPECIFIC
- COMMAND_CLASS_DEVICE_RESET_LOCALLY
- COMMAND_CLASS_POWERLEVEL
- COMMAND_CLASS_ASSOCIATION
- COMMAND_CLASS_ASSOCIATION_GROUPINFO
- COMMAND_CLASS_SWITCH_BINARY
- COMMAND_CLASS_SWITCH_ALL

BEFORE YOU RETURN IT

Let us know if you are having any issues installing or operating the device.
Our fast and friendly tech support is here to help, every day of the year: ask@getzooz.com

Go to getzooz.com to find out how to make your home smarter and safer.

This product can be included and operated in any Z-Wave network with other Z-Wave certified devices from other manufacturers and/or other applications.

All non-battery operated nodes within the network will act as repeaters regardless of vendor to increase reliability of the network.

WARRANTY

This Limited Warranty applies to physical goods, and only for physical goods, purchased from Zooz (the "Physical Goods").

What does this limited warranty cover?

This Limited Warranty covers any defects in material or workmanship under normal use according to instructions from the User Manual during the Warranty Period. Warranty coverage applies to purchases made from authorized dealers only. See full list of Zooz distributors here: getzooz.com/buy
During the Warranty Period, Zooz will repair or replace, at no charge, products or parts of a product that prove defective because of improper material or workmanship, under normal use and recommended maintenance. Zooz does not assume the cost of return shipping for warranty service.

How long does the coverage last?

The Warranty Period for Physical Goods purchased from Zooz is 12 months from the date you purchased this product.

What does this limited warranty not cover?

This Limited Warranty does not cover any problem that is caused by:

- conditions, malfunctions or damage not resulting from defects in material or workmanship
 - improper handling or installation of the product
- The warranty does not cover purchases from unauthorized dealers or second-hand sources.
The warranty does not cover return shipping cost for warranty service.

What do you have to do?

To obtain warranty service, please contact us to determine the problem and offer a quick solution for you:

warranty@getzooz.com

You may also get in touch with the reseller of the product directly to return or replace the product within 30 days of purchase or within applicable reseller's returns period.

IN NO EVENT SHALL ZOOZ OR ITS SUBSIDIARIES AND AFFILIATES BE LIABLE FOR ANY INDIRECT, INCIDENTAL, PUNITIVE, SPECIAL, OR CONSEQUENTIAL DAMAGES, OR DAMAGES FOR LOSS OF PROFITS, REVENUE, OR USE INCURRED BY CUSTOMER OR ANY THIRD PARTY, WHETHER IN AN ACTION IN CONTRACT, OR OTHERWISE EVEN IF ADVISED OF THE POSSIBILITY OF SUCH DAMAGES. ZOOZ'S LIABILITY AND CUSTOMER'S EXCLUSIVE REMEDY FOR ANY CAUSE OF ACTION ARISING IN CONNECTION WITH THIS AGREEMENT OR THE SALE OR USE OF THE PRODUCTS, WHETHER BASED ON NEGLIGENCE, STRICT LIABILITY, BREACH OF WARRANTY, BREACH OF AGREEMENT, OR EQUITABLE PRINCIPLES, IS EXPRESSLY LIMITED TO, AT ZOOZ'S OPTION, REPLACEMENT OF, OR REPAYMENT OF THE PURCHASE PRICE FOR THAT PORTION OF PRODUCTS WITH RESPECT TO WHICH DAMAGES ARE CLAIMED.

ALL CLAIMS OF ANY KIND ARISING IN CONNECTION WITH THIS AGREEMENT OR THE SALE OR USE OF PRODUCTS SHALL BE DEEMED WAIVED UNLESS MADE IN WRITING WITHIN THIRTY (30) DAYS FROM ZOOZ'S DELIVERY, OR THE DATE FIXED FOR DELIVERY IN THE EVENT OF NONDELIVERY.

FCC NOTE

THE MANUFACTURER IS NOT RESPONSIBLE FOR ANY RADIO OR TV INTERFERENCE CAUSED BY UNAUTHORIZED MODIFICATIONS TO THIS EQUIPMENT. SUCH MODIFICATIONS COULD VOID THE USER'S AUTHORITY TO OPERATE THE EQUIPMENT. STORE INDOORS WHEN NOT IN USE. SUITABLE FOR DRY LOCATIONS ONLY. DO NOT IMMERSE IN WATER. NOT FOR USE WHERE DIRECTLY EXPOSED TO WATER.

This device complies with Part 15 of the FCC Rules.

Operation is subject to the following conditions:

1. This device may not cause harmful interference,
2. This device must accept any interference received, including interference that may cause undesired operation.

This equipment has been tested and found to comply with the limits for a Class B digital device, pursuant to part 15 of the FCC Rules.

These limits are designed to provide reasonable protection against harmful interference in a residential installation. This equipment generates, uses and can radiate radio frequency energy and, if not installed and used according to instructions, may cause harmful interference to radio communications. However, there is no guarantee that interference will not occur in any given installation. If this equipment causes harmful interference to radio or television

reception, the user may try to correct the interference by taking one or more of the following measures:

- Reorient or relocate receiving antenna
- Increase the separation between equipment and receiver
- Connect equipment into a separate outlet or circuit from receiver
- Consult the dealer or an experienced radio/TV technician for additional assistance

All brand names displayed are trademarks of their respective holders.
[c] Zooz 2016

www.getzooz.com
ask@getzooz.com

WELL DONE!

You have picked the finest solution for your smart home, congrats! Now it's time to enjoy these great features of your new product:

- Manual and wireless control of water or gas valve (when included to a Z-Wave gateway controller)
- Adjustable brackets for all standard types of valves and handles
- Z-Wave Plus with improved 500 chip for faster and safer wireless communication
- Built-in Z-Wave signal repeater

INSTALLATION

WAIT!

Include the Valve Control to your Z-Wave network before mounting it.

Z-WAVE INCLUSION

1. Plug the valve control in to a standard outlet within a few feet from your Z-Wave gateway controller
2. Put your Z-Wave controller in inclusion/pairing mode
3. Press the red power button on the valve control **THREE** times quickly
4. A new on/off device should appear on your controller's device list

Q: I have not been able to add the device to my network after several attempts, what do I do now?

A: If you are unable to include the Z-Wave switch to your controller, please try one of the following:

- Bring the valve control closer to your Z-Wave controller

- Press and release the red power button quickly several times once you put the controller in the inclusion mode to ensure the command has gone through
- Put your controller in the EXCLUSION mode and press and release the red power button quickly 3 times, then try adding it to your network again

Z-WAVE EXCLUSION

1. Plug the valve control in to a standard outlet within a few feet from your Z-Wave gateway controller
2. Put your Z-Wave controller in exclusion/unpairing mode
3. Press the red power button on the valve control **THREE** times quickly
4. The device should disappear from your controller's device list

Please repeat the process following all steps carefully if first attempt is unsuccessful

FACTORY RESET

If you need to reset the device to factory settings, press and hold the Z-Wave button for 10 seconds. The LED indicator on the device will flash to indicate the process has been successfully completed. **NOTE:** All previously recorded activity and custom settings will be erased from the device's memory.

ASSOCIATION

Once the Z-Wave valve control is added to your network, you are able to close and open the valve from your mobile device or computer.

Depending on your Z-Wave gateway's home automation software capabilities, you may be able to associate your Z-Wave valve

control device in groups with other Z-Wave devices to schedule scenes and create events. This Z-Wave valve control supports Group 1 with up to five devices for lifeline communication (Group 2-5 is not supported). When associated with another node, the device may use the Switch_Binary_Report command to communicate.

Please refer to your controller's user guide for advanced programming instructions as they are a little different for every software.

MOUNTING

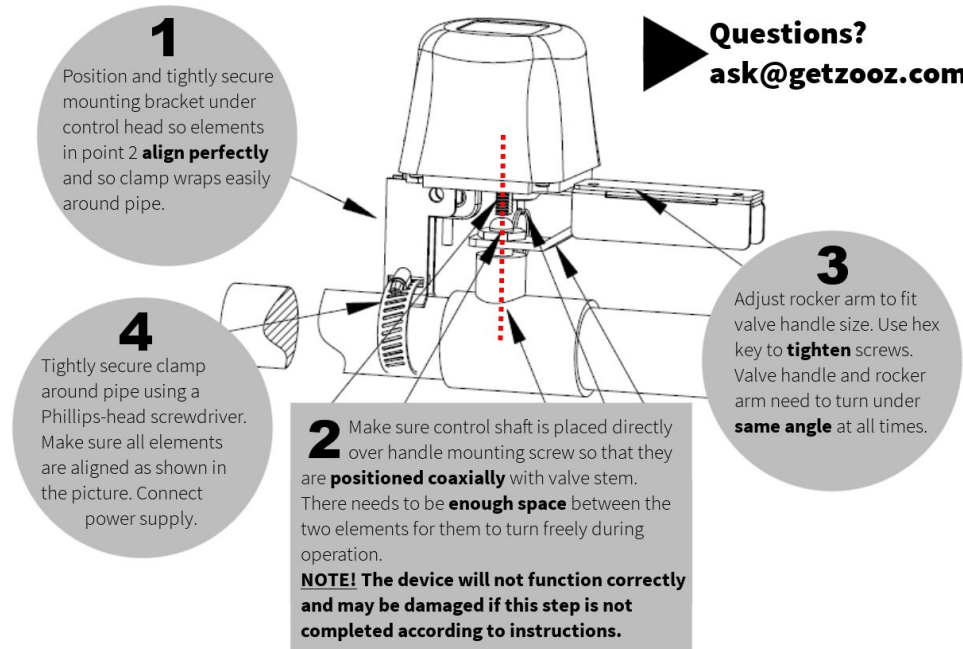
Bring the valve control device to install it on an existing gas or water valve **located indoors**. Please make sure that the following requirements are met before mounting the device:

- The Z-Wave valve control needs to be installed at least 1 inch away from the wall
- The gas or water valve must be easily accessible to open or close it manually if needed

Use a Phillips-head ("crosshead") screwdriver to open clamp. Ensure valve is open - handle is to be positioned in parallel to pipe. Choose one of the supplied mounting brackets to best fit your installation and follow the steps described in the graph. →

Once you have completed mounting, take another look at the shaft and valve stem to make sure they are installed coaxially. Connect power supply and test device. Press and release the red power button **ONCE** to close valve. Press and release it again to open valve. **DO NOT** press the button more than twice as it will put the device in inclusion/exclusion mode.

How to mount Zooz Z-Wave Control Valve ZAC03



MANUAL CONTROL

In case of power failure, device malfunction, or other emergency, you may need to manipulate valve handle manually: pull and hold the clutch down while simultaneously turning the rocker arm to the side to open or close valve.

