

Dome



WATER MAIN SHUT-OFF

Thank you for purchasing the Dome Z-Wave Water Main Shut-Off, which works with your Z-Wave Certified Controller to let you control your water main while on vacation, or have it automatically shut off in case of leaks or other emergencies.

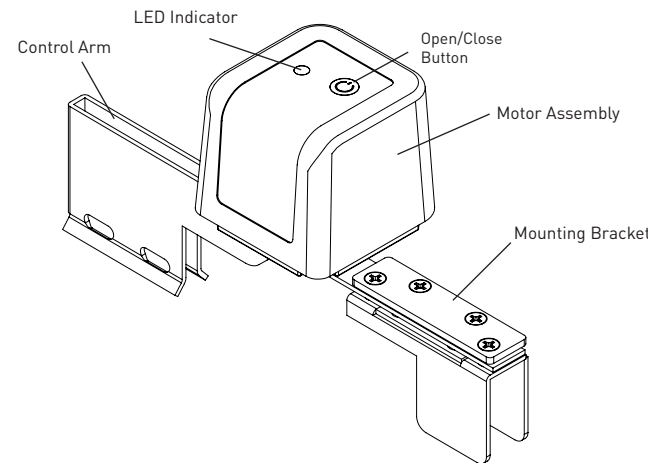


Figure 1

Including/Connecting into the Z-Wave Network:

1. For proper inclusion, bring the Water Main Shut-Off to within 10 feet of your Controller. After inclusion, the device can be moved to any desired location.

CAUTION

Upon inclusion, the motor will engage and start turning automatically. To avoid serious injury, keep your fingers and hands clear of the CONTROL ARM and its path, only gripping the unit firmly by either the MOUNTING BRACKET or the top of the MOTOR ASSEMBLY.

2. Follow the instructions for your Z-Wave controller to enter inclusion mode.
3. Make sure the Water Main Shut-Off is powered on, and when prompted by your controller, press the "open/close" button quickly 3 times in a row. The LED will stop blinking and stay on continuously upon successful inclusion.

Installation:

The Water Main Shut-Off can be installed on any preexisting 1/2" to 1 1/2" brass ball valve, at least 5" away from any walls or other obstructions. Examine Figure 3 and make sure there is enough room in your plumbing installation to accommodate the Shut-Off.

1. Make sure the valve is comfortably usable by hand before continuing further.
2. Unscrew the screws on both HOSE CLAMPS completely so their ends are free, insert both of them into the MOUNTING BRACKET, and let them hang loosely.

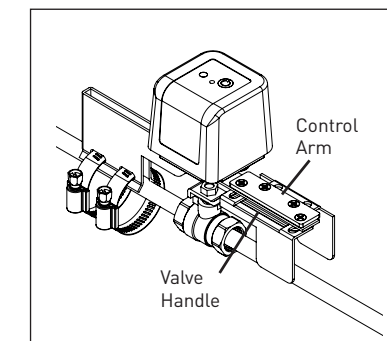


Figure 4

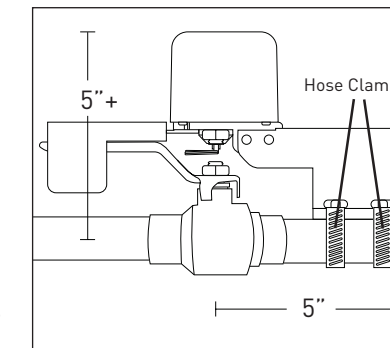


Figure 3

3. Remove the protective film covering the CONTROL ARM screws and spread the CONTROL ARM.
4. Make sure both the ball valve and the Water Main Shut-Off are in the "open" position (where the handle is in line with the pipe, not at a right angle to it,) and slide the CONTROL ARM around the valve's handle (fig 4.)
5. Loosely tighten the hose clamps around the pipe on the opposite side of the valve handle so it remains movable (fig 3.)

(continued on next page)

- Position the bolt of the Water Main Shut-Off DIRECTLY above the bolt of the ball valve, and tighten the hose clamps until the Shut-Off is completely secure (fig 5.)

It is absolutely critical that the axes for both the valve and Water Main Shut-Off are aligned. Improper installation will result in unreliable performance. Examine Figure 5 for more details and please visit www.domeha.com/support if you require further assistance.

- Squeeze the CONTROL ARM closed around the valve handle and secure it tightly with the four screws previously covered by the protective film.
- To test for proper installation, power up the device and press the OPEN/CLOSE button. The motor will engage and your valve will close.

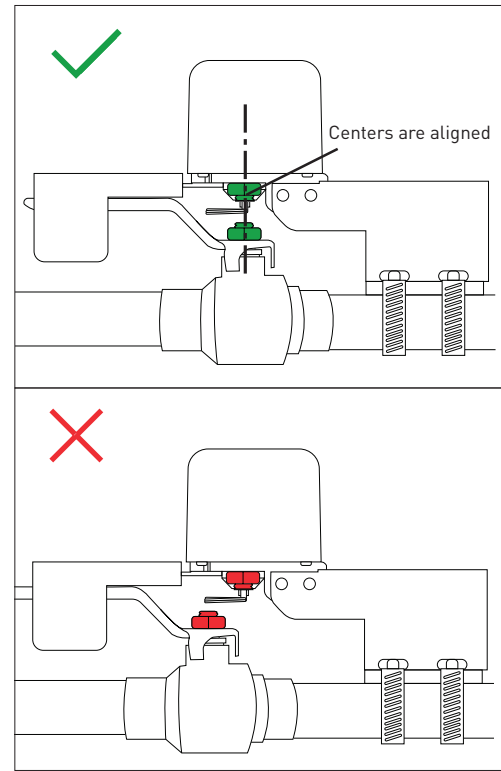


Figure 5

Override Operation

The Water Main Shutoff can be operated manually in the event of a power outage, loss of communication with your Z-Wave Hub, or some other emergency. Follow these instructions to manually operate the Shut-Off:

- Unplug the power from your device.
- Locate the MOTOR CLUTCH on the underside of your device (fig 6,) and pull it outward by the keychain ring. The CONTROL ARM will disengage from the motor and move freely.

Removing the Water Main Shut-Off From Your System

- Follow the instructions for your Z-Wave certified Controller to enter exclusion mode.
- When prompted, press the “open/close” button on the Shut-Off quickly 3 times in a row.

Resetting Your Water Main Shut-Off to Factory Settings

- Press and hold the open/close button for at least 10 seconds then release. The Shut-Off’s memory will be erased to factory settings. A flashing light indicates a successful factory reset. Beware that resetting your device will disconnect it from your system. **Only do this if the controller is disconnected or otherwise unreachable!**

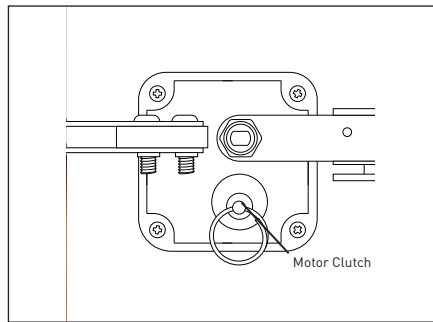


Figure 6

NEED HELP? CONTACT DOME CUSTOMER SERVICE

If you have questions, our trained Customer Service Department is happy to assist you 24 hours a day, 7 days a week. Contact Dome Customer Service as follows: • In North America dial: 1-855-249-1754 • Email Dome at support@domeHA.com

DO NOT RETURN THIS PRODUCT TO THE STORE OR WEBSITE FROM WHICH IT WAS PURCHASED

If you believe the product is defective, has a missing or broken part or are having difficulty with it please contact Dome as listed above for a quick and efficient solution to the problem.

Legal Notices: This device complies with part 15 of the FCC rules. Operation is subject to the following two conditions (1) This device may not cause harmful interference, and (2) this device must accept any interference received, including interference that may cause undesired operation.

Note: This equipment has been tested and found to comply with the limits for a Class B digital device, pursuant to part 15 of the FCC Rules. These limits are designed to provide reasonable protection against harmful interference in a residential installation. This equipment generates, uses and can radiate radio frequency energy and, if not installed and used in accordance with the instructions, may cause harmful interference to radio communications.

However, there is no guarantee that interference will not occur in a particular installation. If this equipment does cause harmful interference to radio or television reception, which can be determined by turning the equipment off and on, the user is encouraged to try to correct the interference by one or more of the following measures: Reorient or relocate the receiving antenna; increase the separation between the equipment and the receiver; connect the equipment into an outlet on a circuit different from that to which the receiver is connected. Consult the dealer or an experienced radio/TV technician for help.

This device complies with Industry Canada license-exempt RSS standard(s). Operation is subject to the following two conditions: (1) this device may not cause interference, and (2) this device must accept any interference, including interference that may cause undesired operation of the device.

WARRANTY INFORMATION

Elexa Consumer Products, Inc. (“ECP”) warrants to the original retail purchaser (“Purchaser”) that the DOME Window/Door sensor (the “Product”) will be free of defects in materials or workmanship under use for one (1) year from the date of purchase (the “Warranty period”).

For the Purchaser only, if the Product fails to perform as specified during the Warranty Period due to defective parts or faulty workmanship, ECP will repair or replace the defective or damaged parts of the Product. Normal wear and tear is not covered nor is abnormal use, misuse, mishandling, faulty installation, improper shipping, damage caused by disasters such as fire, flood or earthquake, neglect, accident or tampering. This warranty covers only normal use in the United States or Canada.

To obtain warranty service during the Warranty Period, call Dome Customer Service (1-855-249-1754) or email: support@domeHA.com for instructions on sending damaged parts and documentation for a Return Material Authorization (RMA). Products returned to ECP for repair or replacement without authorization will be returned at the sender’s expense. All warranty claims must be accompanied by a legible copy of the original receipt showing date and details of purchase. The RMA number must be clearly written on the side of the shipping container in which you return the Product or defective parts. Unless otherwise instructed by ECP, the Product must be sent Freight pre-paid to the following address:

Elexa Consumer Products, c/o Promac,
1153 Timber Dr., Elgin, IL 60123

ECP will repair or replace the defective parts and return them at ECP’s cost by a shipping method selected by ECP. When contacting ECP to obtain an RMA, Purchaser may request expedited return shipping at Purchaser’s expense.

THIS WARRANTY IS NOT TRANSFERABLE, AND, TO THE MAXIMUM EXTENT PERMITTED BY APPLICABLE LAW IS IN LIEU OF ALL OTHER WARRANTIES, REPRESENTATIONS AND CONDITIONS, EXPRESSED OR IMPLIED, STATUTORY OR OTHERWISE, INCLUDING BUT NOT LIMITED TO THE IMPLIED WARRANTIES OF MERCHANTABILITY AND FITNESS FOR A PARTICULAR PURPOSE. NO OTHER PERSON OR REPRESENTATIVE IS AUTHORIZED TO MAKE ANY OTHER WARRANTY ON BEHALF OF ECP OR ASSUME FOR ECP ANY OTHER LIABILITY IN CONNECTION WITH THE SALE OF THIS PRODUCT. IN NO EVENT WILL ECP BE LIABLE FOR ANY DAMAGES, INCLUDING BUT NOT LIMITED TO INCIDENTAL, SPECIAL OR CONSEQUENTIAL DAMAGES ARISING OUT OF THE USE OR INABILITY TO USE THE PRODUCT, INCLUDING DAMAGES DUE TO ECP’S NEGLIGENCE.

THIS WARRANTY GIVES YOU SPECIFIC LEGAL RIGHTS, AND YOU MAY ALSO HAVE OTHER RIGHTS WHICH VARY FROM STATE TO STATE AND COUNTRY TO COUNTRY.

©2016 Elexa Consumer Products, Inc.
2275 Half Day Rd., Suite 333
Bannockburn, IL 60015

www.domeHA.com



#2ACC6GR-105