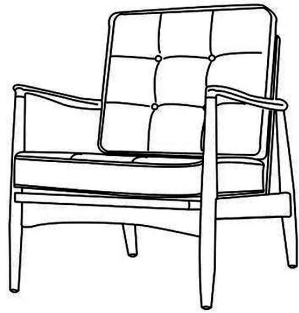
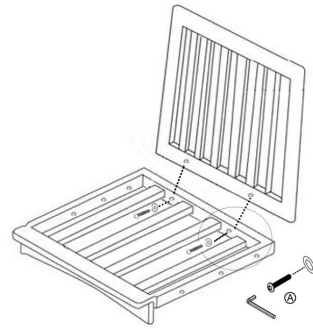




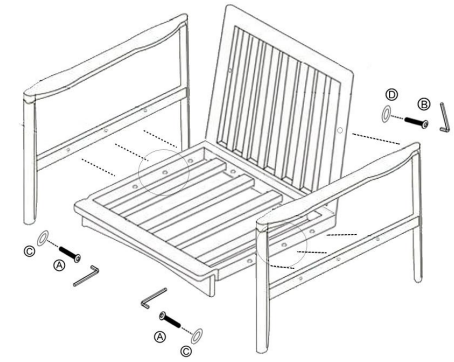
COZYMATIC



1



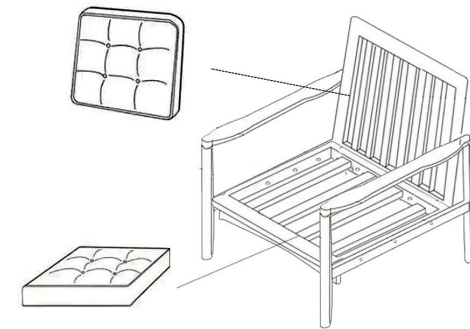
2



3



4



component



A x 8



B x 2



C x 8



D x 2



E x 1



F x 2

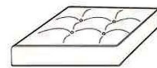
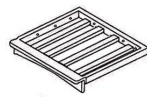


G x 2



H x 1

component



**Attention** Do not tighten the screws and nuts until all installation steps are completed.

