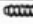



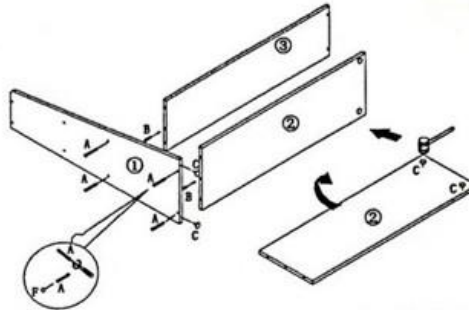





Installation of Peytcho Extendable Wood Bookcase

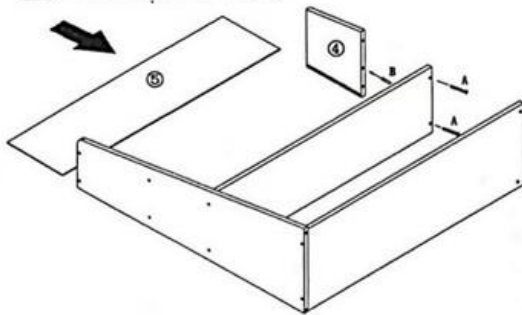
1 Connect ①② and ③ pieces

A		长螺丝	4
B		木榫	2
C		角钉	4
F		螺丝孔贴纸	4

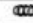




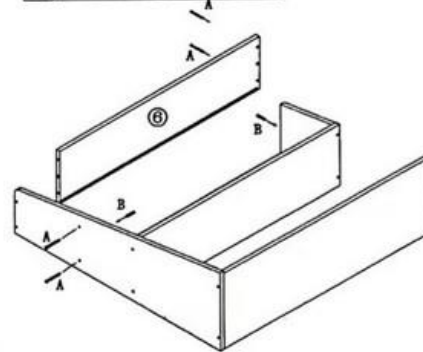
2 Fix baffle ④ and place the back plate ⑤

A		长螺丝	2
B		木榫	1
F		螺丝孔贴纸	2







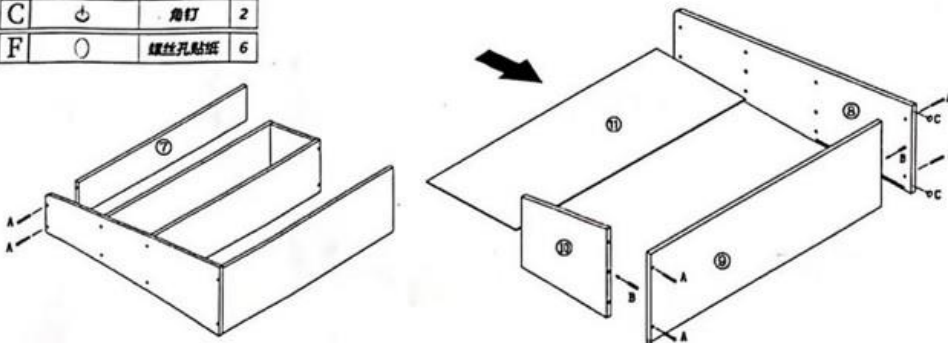
3 Fix the board ⑥

A		长螺丝	4
B		木榫	2
F		螺丝孔贴纸	4

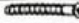
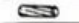



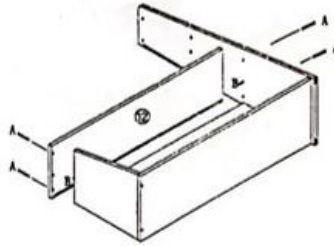
4 Fix the top pieces ⑦, finish the left side. The right side is in the same way

A		长螺丝	6
B		木榫	2
C		角钉	2
F		螺丝孔贴纸	6

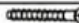




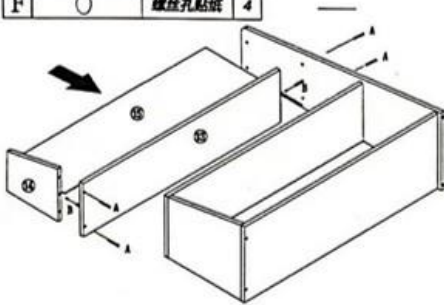
5 Fix the middle partition

A		长螺丝	4
B		木榫	2
F		螺丝孔贴纸	4





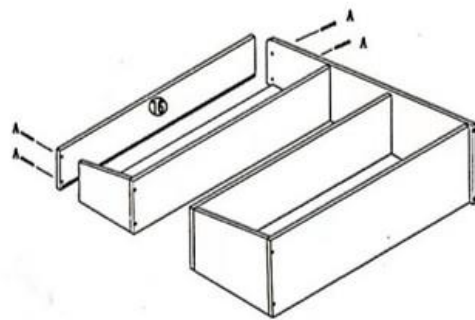
6 Install the upper part of the right side

A		长螺丝	4
B		木榫	2
F		螺丝孔贴纸	4





7 Fixed top plate

A		长螺丝	4
F		螺丝孔贴纸	4



7 Combine the left and right parts, then stand up the bookcase and fix D on the back board

D		背板扣	12
E		小螺丝	12

