



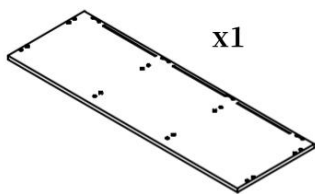
# COZYMATIC

<b>size</b>	<b>900*400*800</b>			
-------------	--------------------	--	--	--

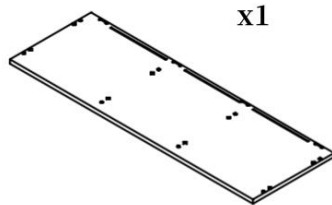
Pre-installation instructions: After opening the package, firstly put the serial number 1 accessories on all the white rubber plugs

serial number	quantity	serial number	quantity	serial number	quantity
1	64	6	4	11	3
2	64	7	1	12	24
3	24	8	4	13	4
4	2	9	16	14	3
5	2	10	4	15	24

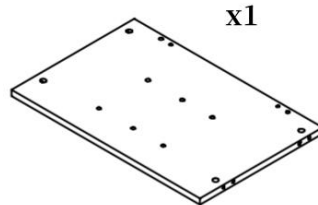
A 1200\*400\*18    B 1200\*400\*18    C 614\*400\*18    D 614\*365\*15



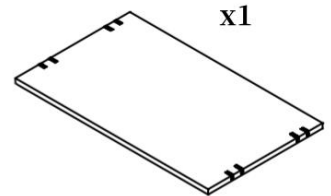
x1



x1

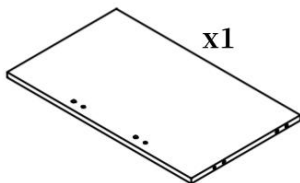


x1



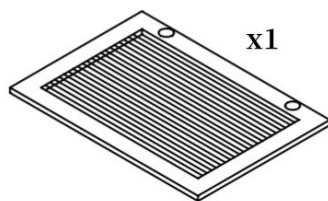
x1

E 614\*365\*15



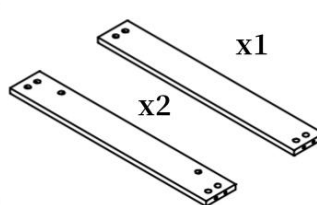
x1

F 610\*388\*15



x1

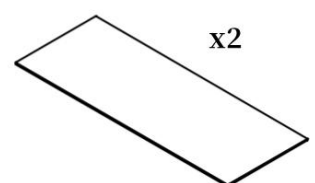
G1 614\*100\*15  
G2 614\*100\*15



x1

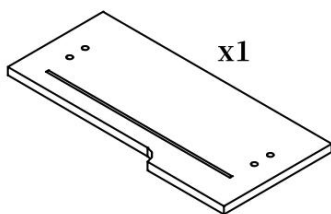
x2

H 624\*264\*5



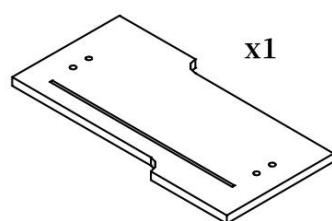
x2

I 377\*214\*15



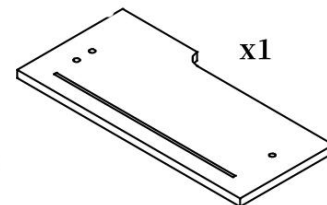
x1

J 377\*227\*15



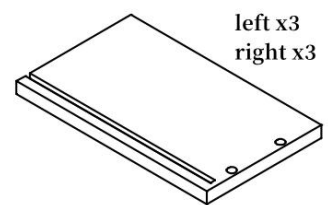
x1

K 377\*214\*15



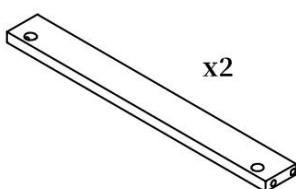
x1

L 350\*140\*15  
L 350\*140\*15



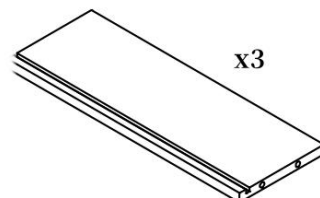
left x3  
right x3

M 364\*50\*15



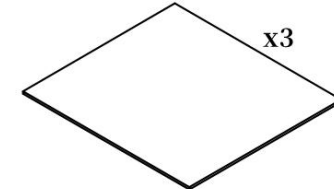
x2

N 308\*140\*15



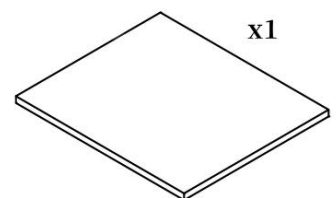
x3

O 320\*347\*5

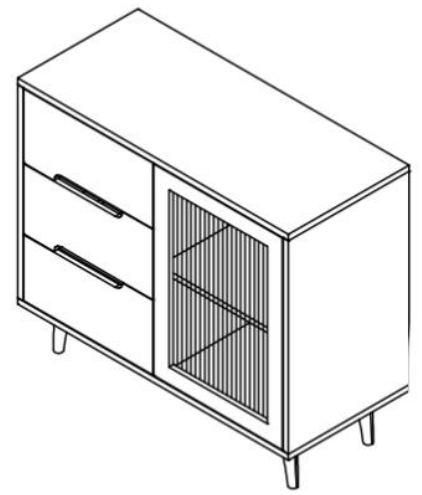
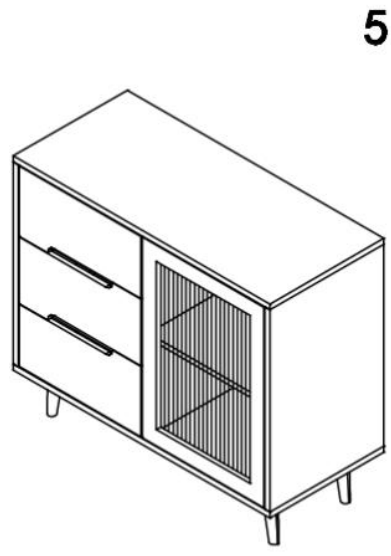
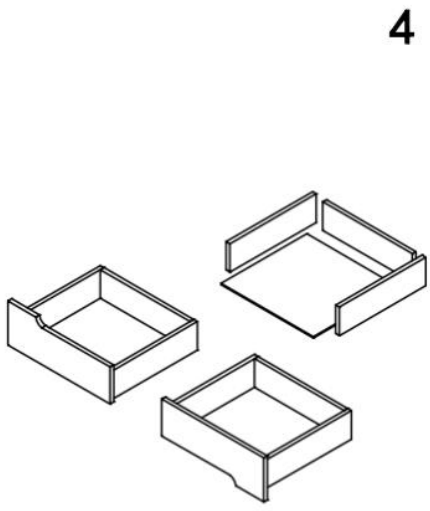
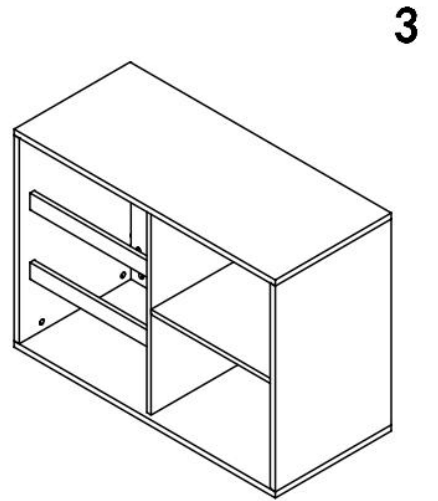
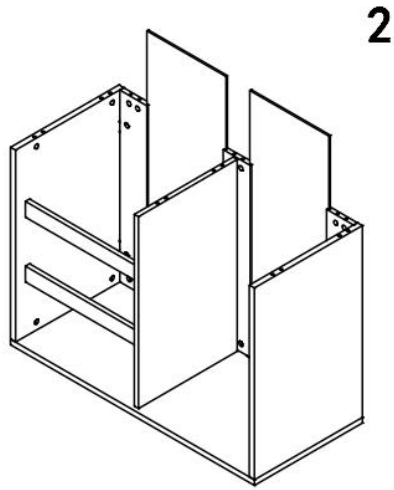
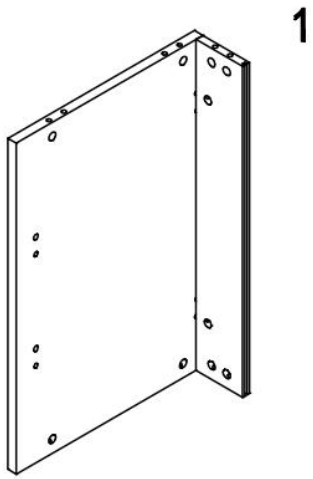

















x3

P 382\*362\*15

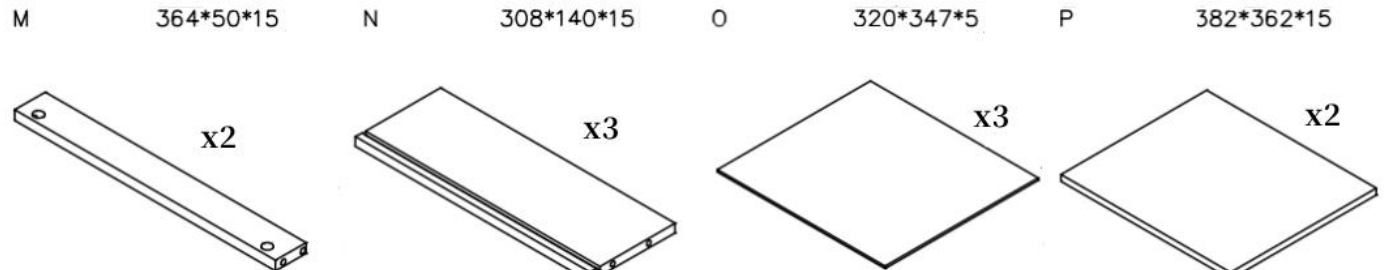
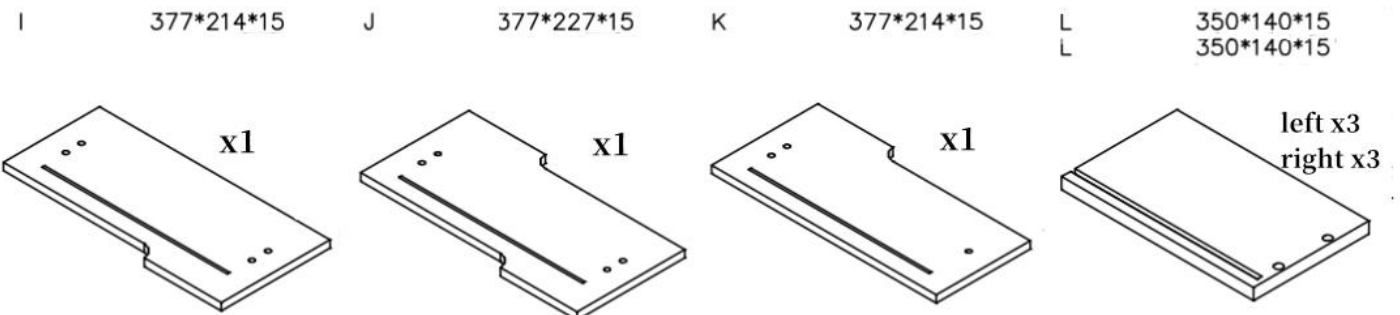
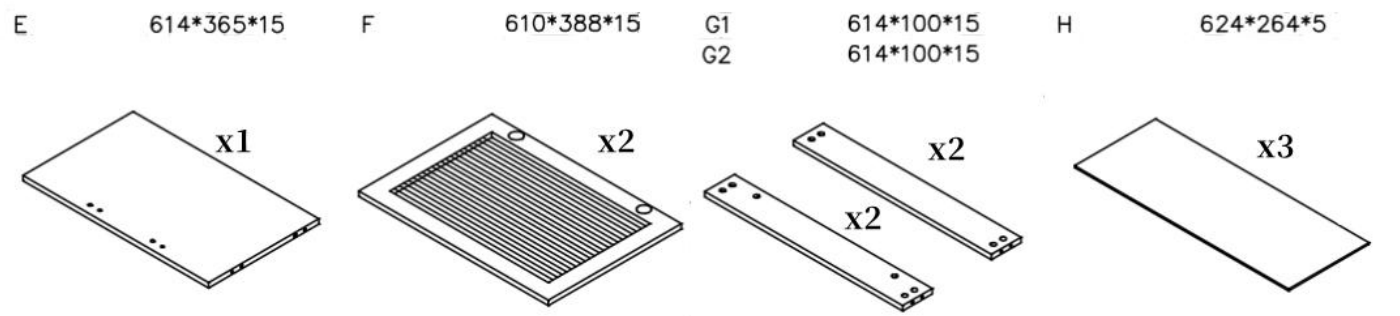
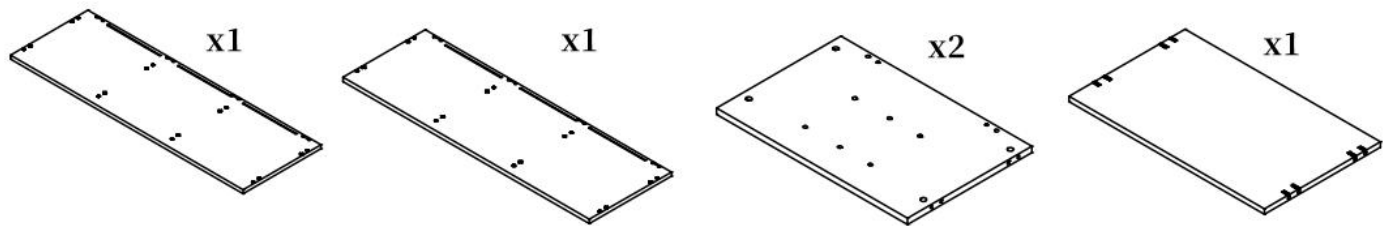


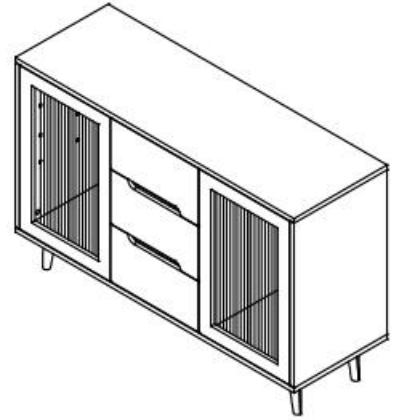
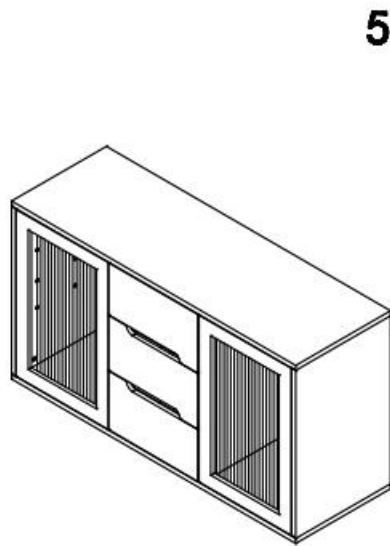
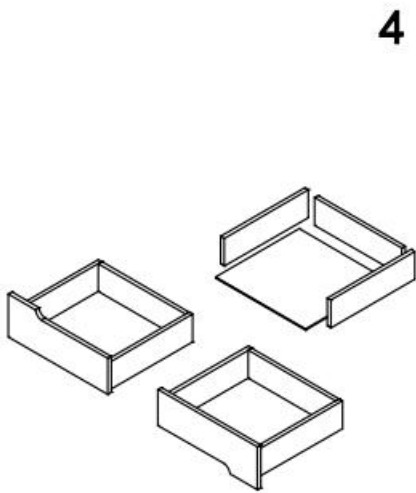
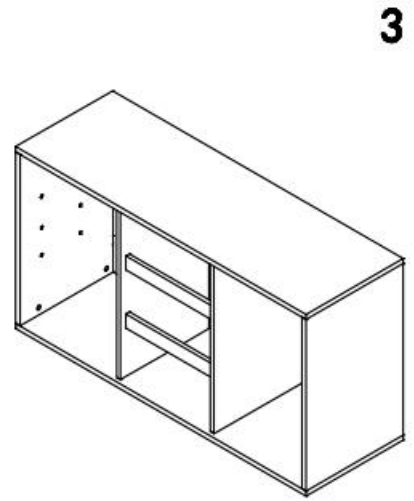
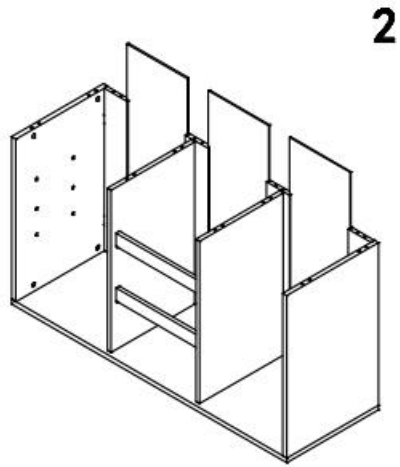
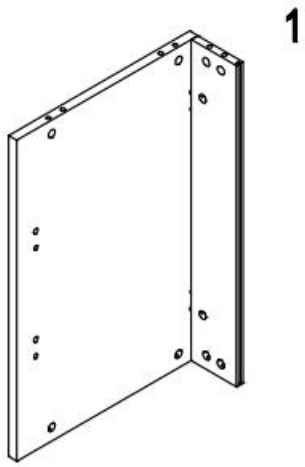
x1



size		1200*400*800									
Pre-installation instructions: After opening the package, firstly put the serial number 1 accessories on all the white rubber plugs											
serial number	quantity		serial number	quantity		serial number	quantity				
1		64	6		4	11		3			
2		64	7		1	12		24			
3		24	8		4	13		4			
4		2	9		16	14		3			
5		2	10		4	15		24			












A 1200\*400\*18    B 1200\*400\*18    C 614\*400\*18    D 614\*365\*15





<b>size</b>	1600*400*800			
-------------	--------------	--	--	--

**Pre-installation instructions: After opening the package, firstly put the serial number 1 accessories on all the white rubber plugs**

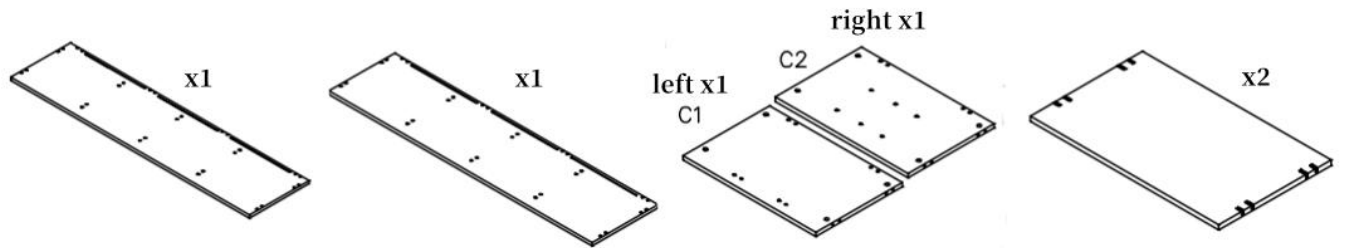
serial number	quantity	serial number	quantity	serial number	quantity
1		68	6		2/4
2		68	7		11
3		28	8		12
4		3	9		13
5		3	10		14
					15
					
					24

A 1600\*400\*18

B 1600\*400\*18

C1 614\*400\*18  
C2 614\*400\*18

D 614\*365\*15

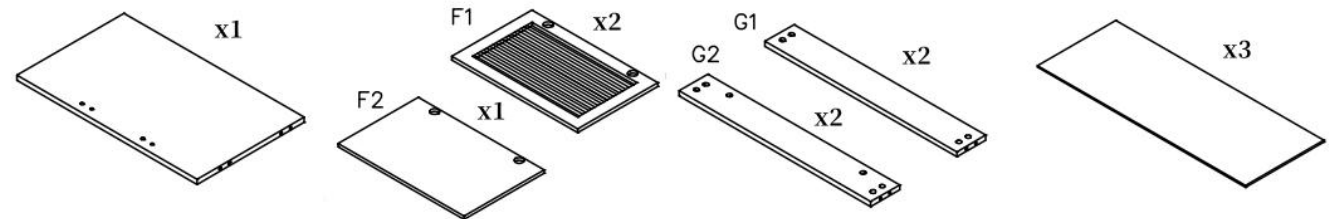


E 614\*365\*15

F1 610\*388\*15  
F2 610\*388\*15

G1 614\*100\*15  
G2 614\*100\*15

H 624\*398\*5

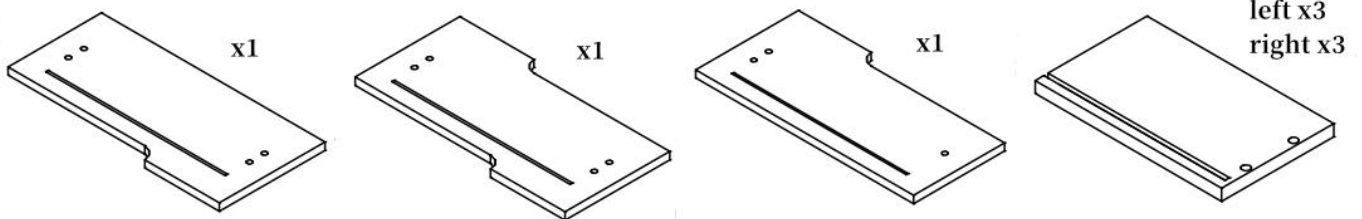


I 388\*214\*15

J 388\*227\*15

K 388\*214\*15

L 350\*140\*15  
L 350\*140\*15



M 384\*50\*15

N 328\*140\*15

O 340\*347\*5

P 373\*362\*15 x2  
P 382\*362\*15 x1

