



# STAY GUIDE II INSTALLATION INSTRUCTIONS

**724574, 724575, 724576**

With sliding door panel in open position, make a pencil line on face of building at very bottom edge of door. Slide door to closed position. Turn guide rail upside-down so that slots are visible. Line up one end of rail with edge of door opening and mark slot locations on wall, 1 inch above pencil line. (See Figure 1).

Use alternate slot location in case bracket interferes with siding rib. Install wall brackets with lag screws provided. (See Figure 2). Make sure nailer holes are in vertical leg of bracket.

Bolt guide rail to brackets, finger tight, with carriage bolts and lock nuts. (See Figure 3).

Make final adjustments by opening door and checking clearances. Tighten all bolts and nail through holes provided in brackets.

## END STOP AND HOLD DOWN BRACKET

Assemble end stop and hold down bracket to wall bracket as shown in Figure 4. Do NOT tighten hardware.

With door in closed position, locate wall bracket flush with door opening as shown in Figure 4.

**NOTE:** Additional blocking may be required behind wall bracket to provide a flat mounting surface.

Attach wall bracket to building wall with lag bolt and nails similar to guide rail. Tighten flange nut AFTER final adjustment. (See Figure 4).

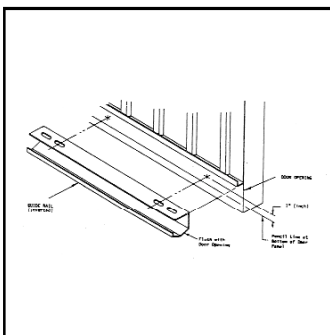


Figure 1

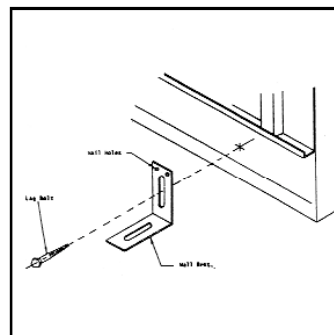


Figure 2

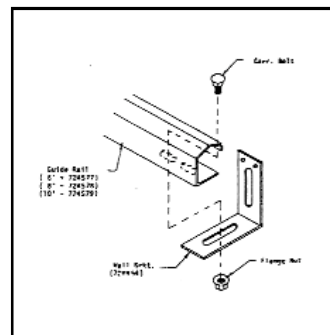


Figure 3

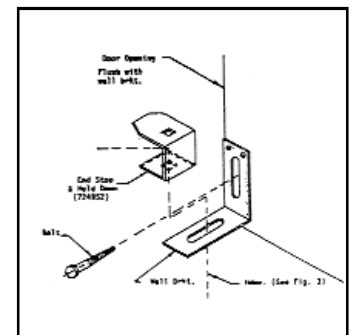


Figure 4