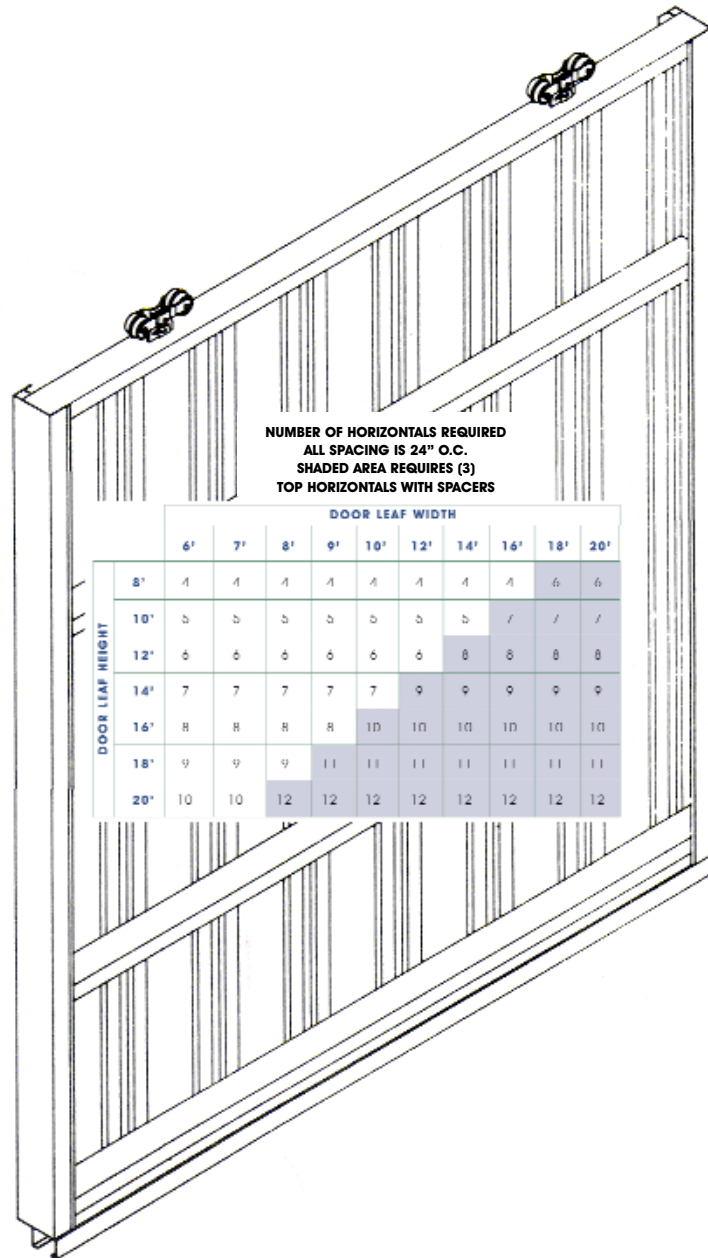


# BIGG FRAME

## ASSEMBLY INSTRUCTIONS



**APPROXIMATE DOOR LEAF WEIGHT (LBS.) WITH 29 GAUGE STEEL PANEL  
ALL PACKAGES INCLUDE #235 STEEL GIRT 2 FT. ON CENTER**

		WIDTH						
		8'	10'	12'	14'	16'	18'	20'
HEIGHT	8'	107	130	168	194	220	292	349
	10'	124	150	192	221	291	348	385
	12'	151	183	215	283	341	404	447
	14'	167	215	284	327	391	460	535
	16'	205	274	323	372	441	516	596
	18'	232	307	362	416	492	572	658
	20'	279	340	400	461	542	605	720

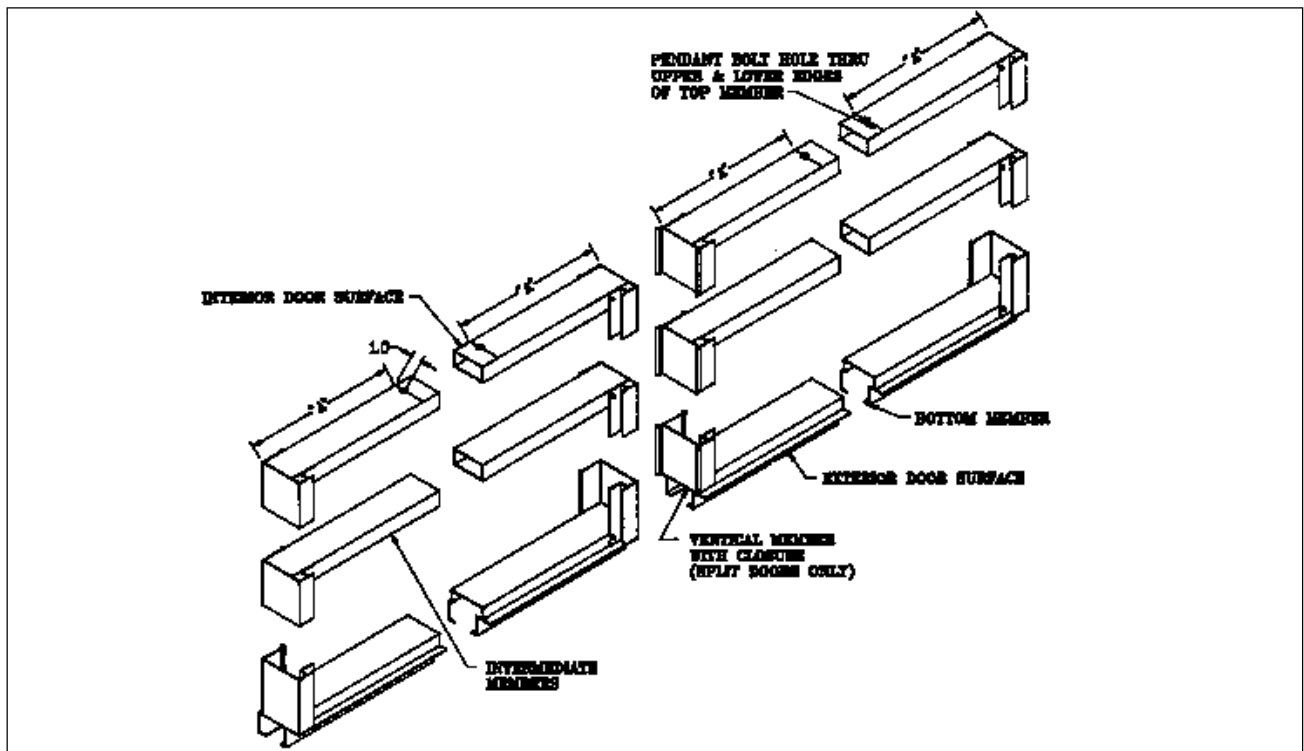
PACKAGES IN THE SHADED AREA INCLUDE (3) TOP HORIZONTALS

## DOOR GRID ASSEMBLY

Doors should be assembled in a flat area. The horizontals are to be equally spaced. The number required per door and spacing is show in the table. The inside face of the door frame should be assembled first.

After laying out the horizontal members, locate and drill two (2) 17/32 min.diam.holes in the top horizontal. Locate each trolley hole at dimension "A" from the end and 1" from the inside face. See chart for recommended dimension "A".

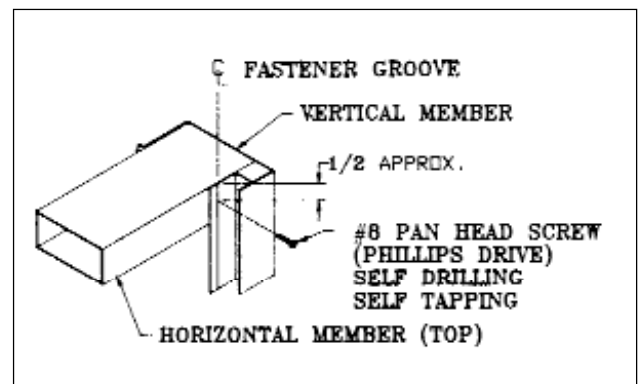
With the top,intermediate & bottom horizontals properly fitted & spaced in the verticals, secure the grid at each end of the four corners using one (1) #8 self-drilling, self-tapping fastener. The fasteners should be located in the extruded pilot groove as shown in **figure 3**.



**FIGURE 1**

TROLLEY MOUNTING HOLE LOCATIONS										
DOOR LEAF WIDTH	6'	7'	8'	9'	10'	12'	14'	16'	18'	20'
DIM. "A"	1'	1'	1'	1'	1'	2'	2'	2'	2'	2'

**FIGURE 2**



**FIGURE 3**

## SQUARE THE DOOR GRID

After squaring, secure the grid with a second fastener at each end of the four corners locating them as show in **figure 4**.

Carefully turn the door grid over, recheck for squareness & repeat the fastening-procedures.

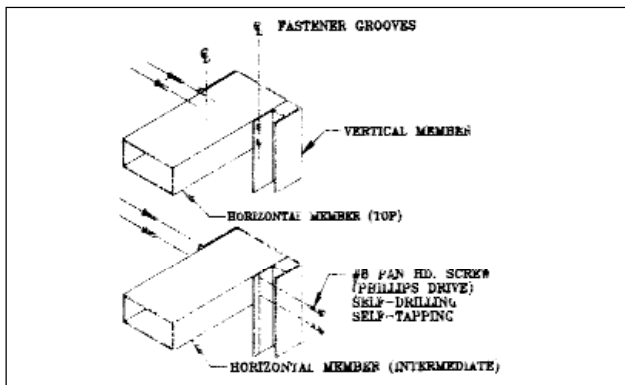
Secure all intermediate horizontals with \*4) screws/joint (2 per side) **See figure 5**.

NOTE: If installing the option 2" x 4" wood members, simply drive nails or screw thru the extruded grooves.

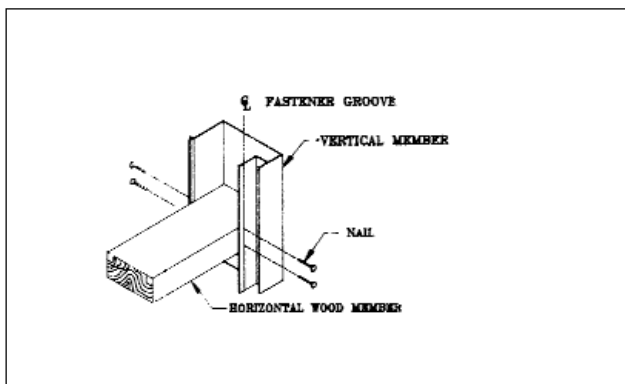
Install the wood members in the same manner as described for the metal horizontal members. Refer to **figure 6 and figure 7**.

Apply sheeting per sheeting manufacturer's recommendations.

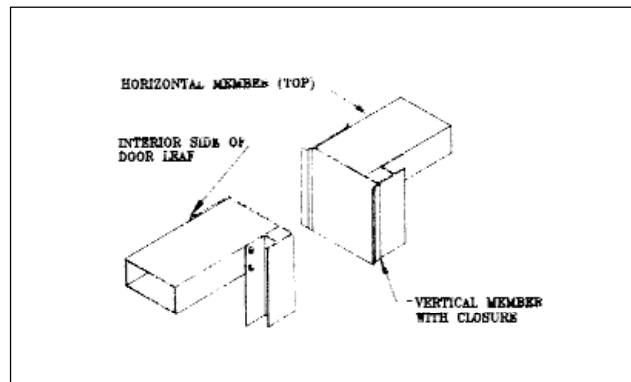
When sheeting door, the sheeting tucks between the built-in flashing and trip strip of the vertical members.



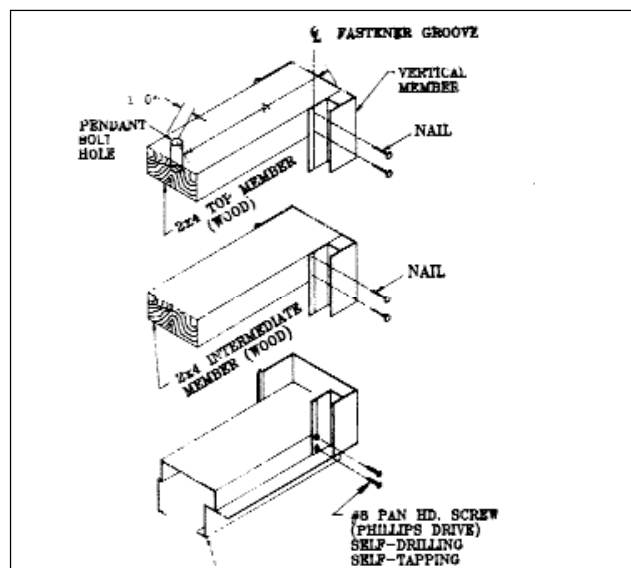
**FIGURE 4**



**FIGURE 6**



**FIGURE 5**



**FIGURE 7**

## TROLLEY MOUNTING INSTRUCTIONS

Insert the trolley mounting bolt into the door grid top horizontal. Install the trolleys and adjust the nuts on the pendant bolts until there is approximately one inch between the trolley bolt head and the door grid top horizontal. **See figure 8.**

INSTALL CANNONBALL TRACK PER SPECIFICATION SHEET.

After hanging doors and adjusting to required height, insert sheet metal screws through the washered nuts into the horizontal member as shown in **figure 8**. When using wood horizontals, use a nail as shown in **figure 9**. Adjust the offset pendant bolts so door hangs flush against side of building. Tighten the split lock nuts on the offset pendant bolts to lock trolleys in operating position.

Slip the larger link on the end of the chain over the snigger rod and insert snigger rod into the rod support. Secure the opposite end to vertical member using (1) 1/4" fastener and nut as shown. **See figure 10.**

### CENTER MOUNTED SNIGGER FOR WOOD HORIZONTALS

Select a horizontal door member that is at a convenient height. Drill one 9/32 diameter hole in the vertical door member. (**See figure 10**). Slip rod support on straight end of snigger rod and properly position assembly to determine proper location of rod support. Fasten rod support with (2) ring nails as shown.

Install the second half of the snigger rod in the other door, following the above procedures except that no chain link is put on the rod.

Attach the "S" hook to the chain.

To latch the two doors together, merely hook the "S" hook onto the snigger rod as shown. The more the door rattles, the tighter the latch becomes. After making certain the "S" hook is in the proper link (latched chain should be about 6" from top of horizontal member), close the "S" hook slightly so it will not become detached from the chain. **See figure 11.**

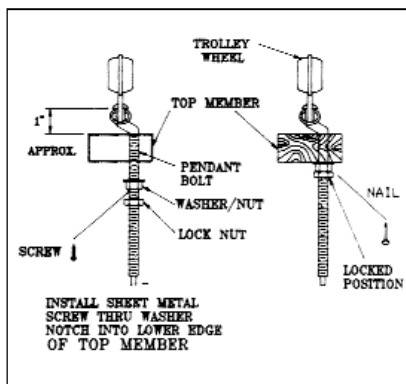


FIGURE 8 & 9

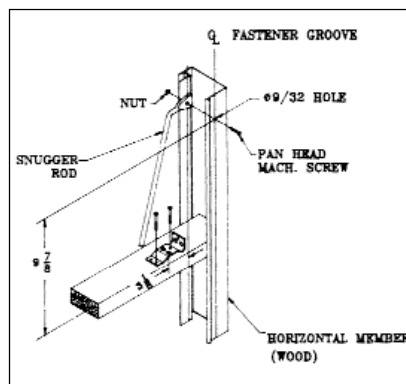


FIGURE 10

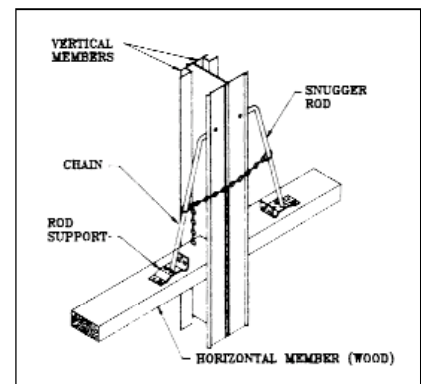


FIGURE 11

## **CENTER MOUNTED SNUGGER FOR METAL HORIZONTALS**

Select a horizontal door member that is at a convenient height and drill (1) 17/32" diameter hole as shown. Next, drill (1) 9/32" diameter hole in the vertical door member. **See figure 12.**

Slip the larger link on the end of the chain over the snugger rod, and insert snugger rod into the 17/32" hole in the horizontal door member. Secure opposite end of snugger rod to vertical member using (1) 1/4" fastener and nut. **See figure 13.**

Install the second half of the snugger rod in the other door, following the above procedure except that no chain link is put on the rod.

Attach the "S" hook to the chain.

To latch the two doors together, merely hook the "S" hook onto the snugger rod as shown. The more the door rattles, the tighter the latch becomes. After making certain the "S" hook is in the proper link (latched chain should be about 6" from top of horizontal member), close the "S" hook slightly so it will not become detached from chain. **See figure 13.**

## **SIDE MOUNTED SNUGGER FOR METAL HORIZONTALS**

See pages 9 & 10 for other styles of side latches available.

Select a horizontal door member that is at a convenient height and drill (1) 17/32" diameter hole as shown. Next, drill (1) 9/32" diameter hole in the vertical door member. Refer to **figure 14** for hole location.

Insert snugger rod into the hole in the horizontal door member. Secure opposite end of snugger rod to the vertical member using (1) 1/4" fastener and nut as shown in **figure 15.**

Before installing the second half of the snugger to the face of the door jamb, close the door. (Door must have a center stop, or otherwise held stationary.) Secure rod support "A" to door jamb so as to be level with the horizontal door member as shown in **figure 16.** (Rod support fasteners are not supplied.) Slip large link on the end of the chain over the rod and insert rod into rod support "A". Put rod support "B" on opposite end of rod. Offset rod support "B" 1.0" from rod support "A" as shown. Secure support "B" to door jamb.

After making certain the "S" hook is in the proper link (latched chain should be about 6" from the top of horizontal member), close the "S" hook slightly so it will not become detached from chain.

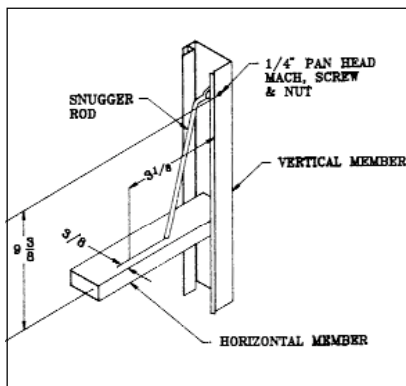
## SIDE MOUNTED SNUGGER FOR METAL HORIZONTALS

See pages 9 & 10 for other styles of side latches available.

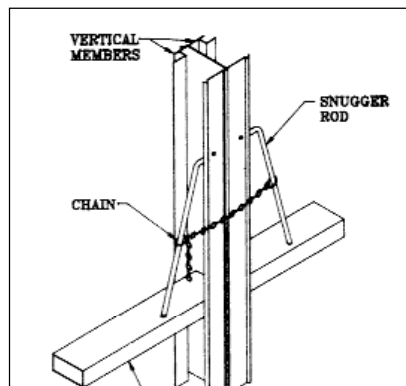
Select a horizontal door member that is at a convenient height and drill (1)  $\frac{9}{32}$ " diameter hole in the vertical door member. Refer to **figure 17** for hole location.

Slip rod support on straight end of snigger rod and properly position assembly to determine proper location of rod shank. Fasten rod support with (2) ring nails as shown. Slip the large link on the end of the chain over the snigger rod and insert snigger rod into the rod support. Secure the opposite end to vertical member using (1)  $\frac{1}{4}$ " fastener and nut as shown. **See figure 17.**

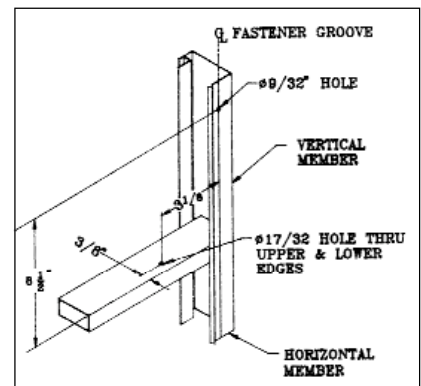
Before installing the second half of the snigger to the face of the door jamb, close the door. (Door must have a center stop, or otherwise held stationary.) Secure rod support "A" to door jamb so as to be level with the horizontal door member as shown in **figure 18**. (Rod support fasteners are not supplied). Slip large link on the end of the chain over the rod and insert rod into rod support "A". Put rod support "B" on opposite end of rod. Offset rod support "B" 1.0" from rod support "A" as shown. Secure support "B" to door jamb.



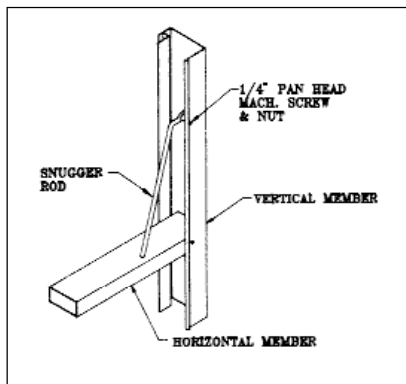
**FIGURE 12**



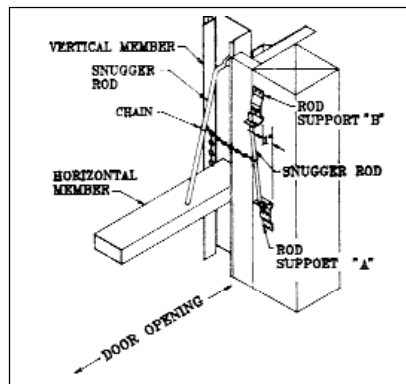
**FIGURE 13**



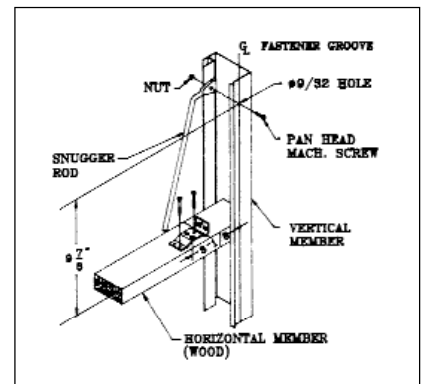
**FIGURE 14**



**FIGURE 15**



**FIGURE 16**



**FIGURE 17**

NOTE: For proper closure each bottom horizontal should be cut or notched 1/16" short for the center verticals to compensate for the center stop thickness.

### CENTER STOP ASSEMBLY

Fasten one half of the guide with 3/8" lag bolts. Locate the "Z" stop on the center leg of the unfastened half as show in **figure 20**.

After making certain the "S" hook is in the proper link (latched chain should be about 6" from top of horizontal member), close the "S" hook slightly so it will not become detached from chain. **See figure 18**.

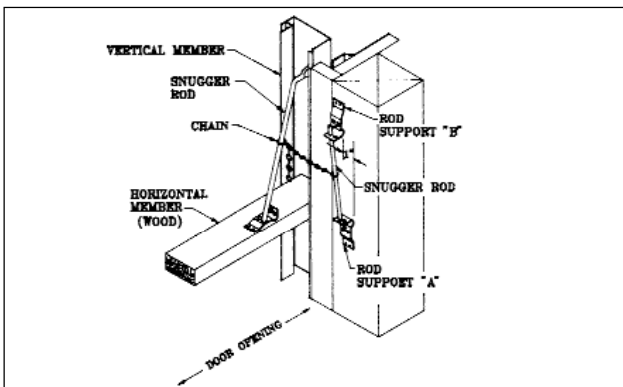
### CENTER DOOR GUIDE & STOP

Center guide & stop may be mounted to a 6" x 6" P.T. post or imbedded in concrete. Fasteners for mounting center guide are NOT included.

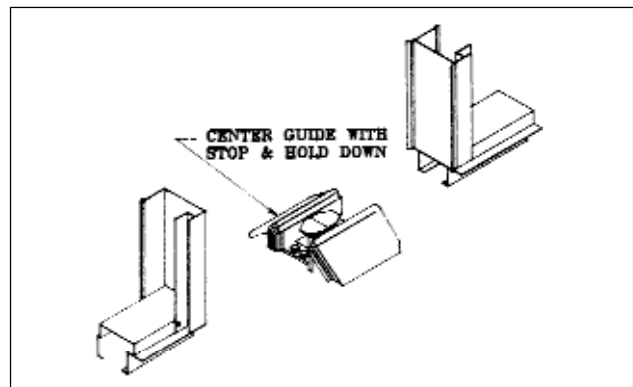
Secure half with lags. Finally attach "L" hold down to "Z" with 3/8" carriage bolts as shown in **figure 21**.

Locate guide at the center point of door opening, the door leaves to engage as shown in bottom horizontal.

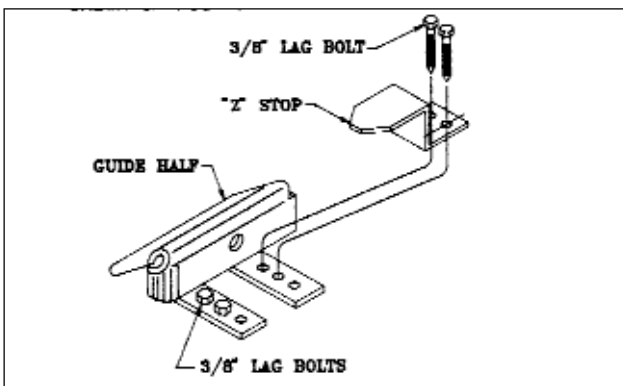
After the guide is in place, additional adjustment is possible through the vertical adjustment on the door trolleys. This adjustment should be used only after the center guide is rigidly in place.



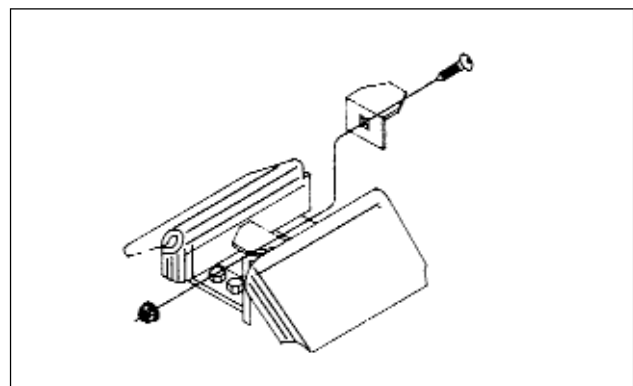
**FIGURE 18**



**FIGURE 19**



**FIGURE 20**



**FIGURE 21**



## STAY GUIDE II INSTALLATION

### INSTALLATION INSTRUCTIONS:

With the sliding door panel in open position, make a pencil line on face of building at closed position. Turn guide rail upside down so that slots are visible. Line up one end of rail with edge of door opening & mark slot location on wall, 1" above pencil line. **See figure 22.**

Use alternate slot location in case bracket interferes with siding rib. Install wall brackets with lag screws provided. **(See figure 23).** Make sure nailer holes are in vertical leg of bracket.

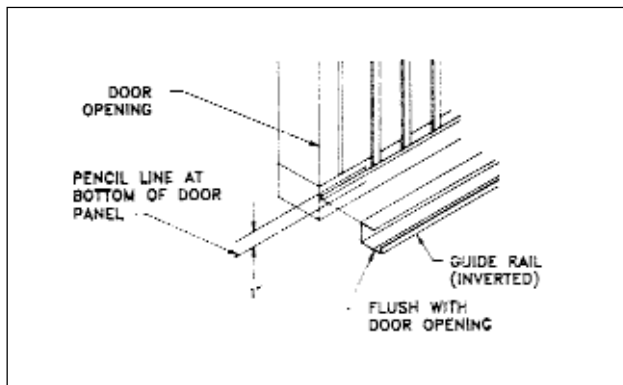
Bolt guide rail to brackets, finger tight, with carriage bolts & lock nuts. **(See figure 24).**

Make final adjustment by opening door & checking clearances. Tighten all bolts & nails through holes provided in brackets.

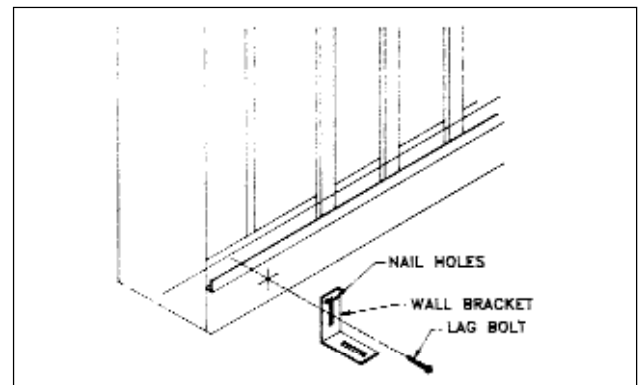
Assemble end stop & hold down bracket to wall bracket as show in **figure 25.** Do NOT tighten hardware.

With door in closed position, locate wall bracket flush with door opening as shown in **figure 25.** NOTE: Additional blocking may be required behind wall bracket to provide a flat mounting surface.

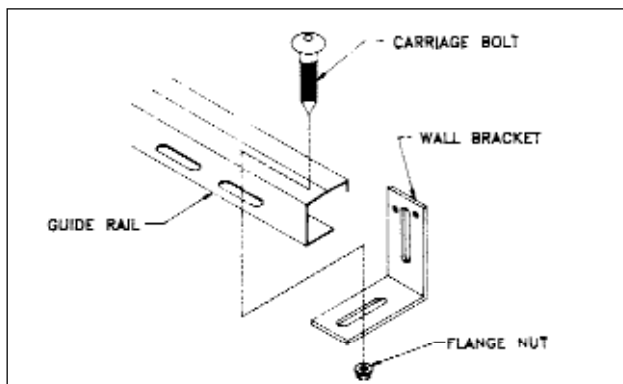
Attach wall bracket to building wall with lag bolt & nails similar to guide rail. Tighten flange nut AFTER final adjustment. **See figure 25.**



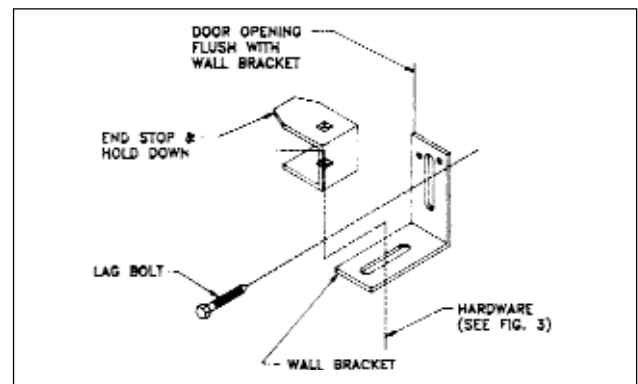
**FIGURE 22**



**FIGURE 23**



**FIGURE 24**



**FIGURE 25**

## SIDE MOUNTED CAM LATCH FOR METAL HORIZONTALS

Select a horizontal door member that is at a convenient height. Align edge of vertical member with door jamb surface. Mount latch catch with the two legs toward the front of the door. Keep slot for hook in line with hook on latch. **(See figure 26)**. Latch catch should be installed prior to applying steel rib to sliding door frames. Attach main body of latch to door jamb, keeping latch hook parallel to top of latch catch mounted on the horizontal. With latch handle straight up - mount latch with end of hook in hole

## SIDE MOUNTED JAMB LATCH FOR METAL HORIZONTALS

Select a horizontal door member that is at a convenient height. Align edge of vertical member with door jamb surface. Mount latch catch with the two legs toward the front of the door. Keep slot for hook in line with hook on latch. **(See figure 27)**. Latch catch should be installed prior to applying steel rib to hook parallel to top of latch catch mounted on the horizontal. With latch handle straight up or a little toward sliding door, mount latch with end of hook in hole on the latch catch. Pull handle back toward interior of building & down to secure door tight to jamb. Hook is threaded so it can be easily adjusted. reverse hook on body of latch to change from right or left-handed.

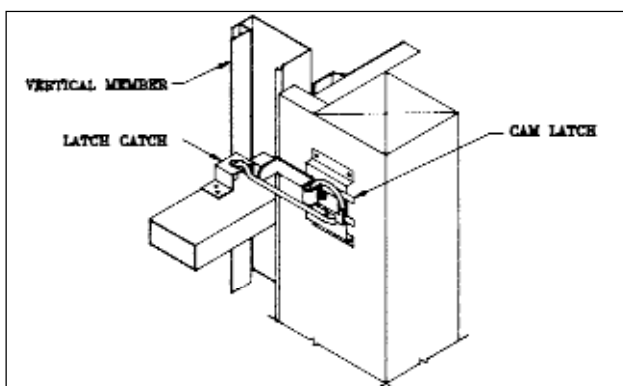


FIGURE 26

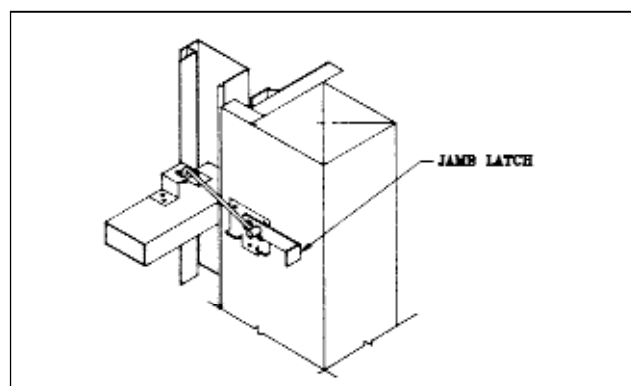


FIGURE 27

## SIDE MOUNTED CAM LATCH FOR WOOD HORIZONTALS

Select a horizontal door member that is at a convenient height. Align edge of vertical member with door jamb surface. Mount latch catch with the two legs toward the front of the door. Keep slot for hook in line with hook on latch. **(See figure 28)**. Latch catch should be installed prior to applying steel rib to hook parallel to top of latch catch mounted on the horizontal. With latch handle straight up - mount latch with end of hook in hole on the latch catch. Pull handle down toward door to secure door tight to jamb. Cam latch can be mounted either right or left-handed, just remove nut and turn hook over & reattach the nut. (This needs to be done before mounting to door jamb).

## SIDE MOUNTED JAMB LATCH FOR WOOD HORIZONTALS

Select a horizontal door member that is at a convenient height. Align edge of vertical member with door jamb surface. Mount latch catch with the two legs toward the front of the door. Keep slot for hook in line with hook on latch. **(See figure 29)**. Latch catch should be installed prior to applying steel rib to sliding door frames. Attach main body of latch to door jamb, keeping latch hook parallel to top of latch catch mounted on the horizontal. With latch handle straight up or a little toward sliding door, mount latch with end of hook in hole on the latch catch. Pull handle back toward interior of building & down to secure door tight to jamb. Hook is threaded so it can be easily adjusted. Reverse hook on body of latch to change from right or left-handed.

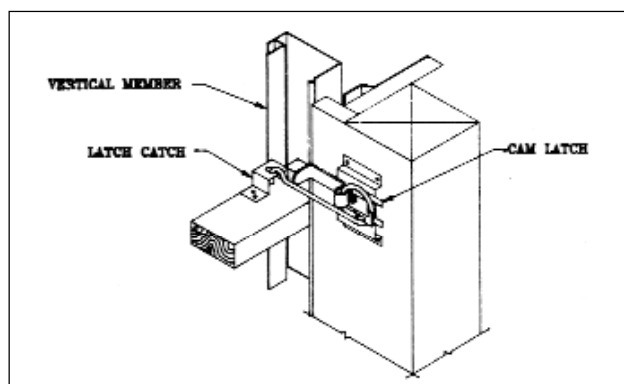


FIGURE 28

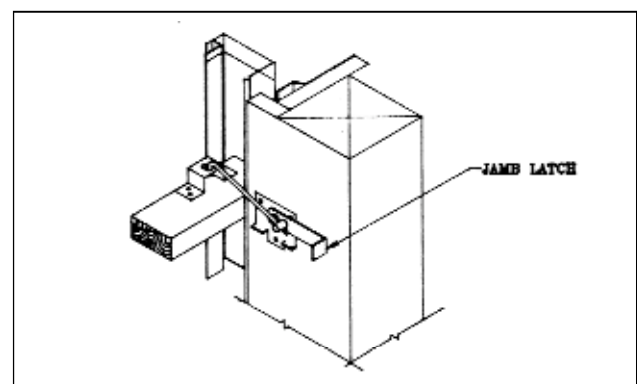


FIGURE 29

*“Nobody does it better!”*



555 Lawton Avenue, P.O. Box 835 | Beloit, Wisconsin 53512-0835  
Phone: 608.365.2161 | Fax: 608.365.4565 | Toll Free: 800.766.2825 | [www.cnbhnp.com](http://www.cnbhnp.com)