



**Lower Your
Over Head!**

with **Klauer's...**

new

Ridgolator IV Ridge Vent

Low Profile • Low Maintenance • Lower Cost

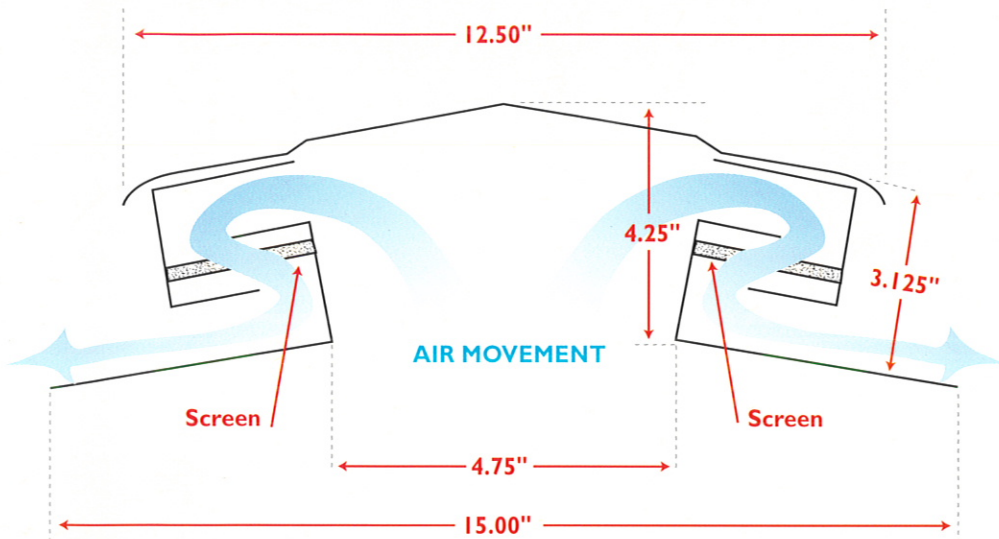


KLAUER *a positive accent*

roofline

Ridgolator IV[®]

ridge vent



Advantages

- Advances in manufacturing processes allow for economically priced product
- Net free air space is nearly double the competition's in the same price range
- Low profile and streamline design blend in with roofline
- Sold one per box with end flashing included
- Easy application, independently adjustable for various roof pitches
- Manufactured of 29-gauge, pre-painted, hot dipped galvanized steel
- Lightweight, durable design
- Available in 24 colors
- Bird proof
- Same Klauer Quality since 1870

Important Reminders concerning Ridgolator ventilation products

- Recommended for agricultural and light-commercial buildings only. Not for use on buildings with finished ceilings or interiors (i.e., homes, offices, schools, etc.).
- Designed for exhaust use only.
- Air intake in square inches must be equal to or greater than the amount of air being exhausted by the Ridgolator.
- Not recommended for use in livestock confinement systems.

Specifications

- 220 square inches of net free air per ten-foot vent
- Fastened together with neoprene washer painted screws
- 4-3/4" throat
- 14-1/2" of ridge coverage
- 29-gauge construction
- 28 pounds per box
- 2-1/2" exposed flange for fastening

Color Options

Note: Actual color may vary slightly due to the printing process. For accurate color selection, we recommend you obtain a product sample.



KLAUER

1185 Roosevelt Ave., P.O. Box 59 • Dubuque, Iowa 52004-0059 • Phone 319-582-7201 • Fax 319-582-2022