

711271 CENTER DOOR GUIDE & STOP ASSEMBLY INSTRUCTIONS

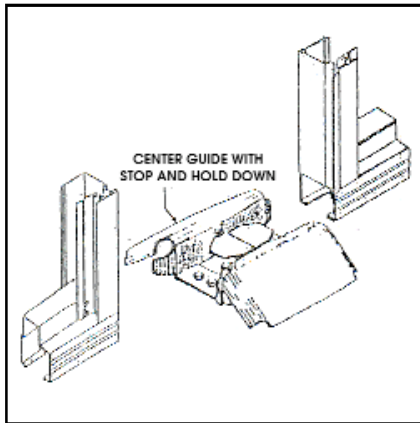


Figure 19

Center guide and stop may be mounted to a 6" x 6" P.T. post or imbedded in concrete. Fasteners for mounting center guide are NOT included.

Locate guide at the center point of door opening. The door leaves to engage as show in bottom horizontal.

Note: For proper closure each bottom horizontal should be cut or notched 1/16" short for the center verticals to compensate for the center stop thickness.

1. Fasten one-half of the guide with 3/8" lag bolts. Locate the "Z" stop on the center lag of the unfastened half as shown in Figure 20.
2. Secure half with lags. Finally attach "L" hold down to "Z" stop with 3/8" carriage bolt as show in Figure 21.
3. After the guide is in place, additional adjustment is possible through the vertical adjustment on the door trolleys. This adjustment should be used only after the center guide is rigidly in place.

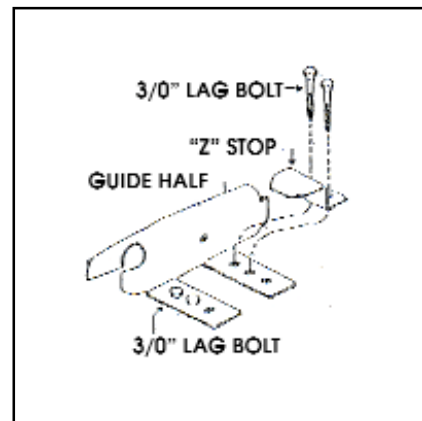


Figure 20

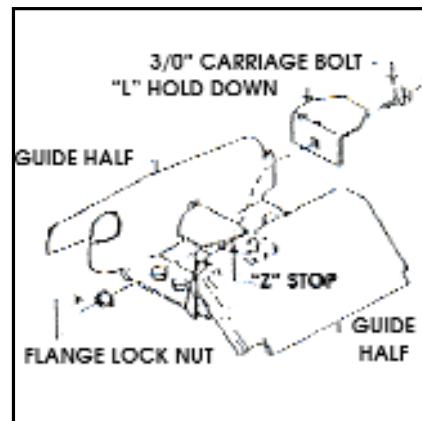


Figure 21