

# +ULIKE



+

**M**  
**A**  
**X**

versatility

flexibility

comfort

joy

+





**SEAT  
FABRIC**





# CHAIR COMPONENTS



Mesh Backrest



Interchangeable Backrest Cover



Writing Tablet



Interchangeable Fabric Seat Cover



Cup Holder/  
Casters



Armrests

## FEATURES

### Reclining Backrest

The backrest allows up to 8 degrees of reclination to increase comfort and reduce fatigue from prolonged seating.



### Flip Seat

Thanks to the upholstered flip seats, Ulike chairs allow nesting for easy storage.





## ACCESSORIES

### Cup Holder

Declutter your writing space and stow away your cup of coffee or water bottle with the cup holder.



### Writing Tablet

Measuring 395mm by 260mm, the heavy-duty writing tablet is able to support load of up to 50KG.



### Removable Armrests

Remove the armrests for a wider seating experience.



## FEATURES

### Adjustable Armrests

The adjustable armrests boasts much flexibility for multiple settings such as training, meeting or learning.



### Interchangeable Casters or Glides

Easily interchange between casters and glides to suit your requirements and needs.



## FEATURES

### Stack or Nest

Stack or nest the Ulike chairs for easy storage and to make better use of your space.





## ACCESSORIES

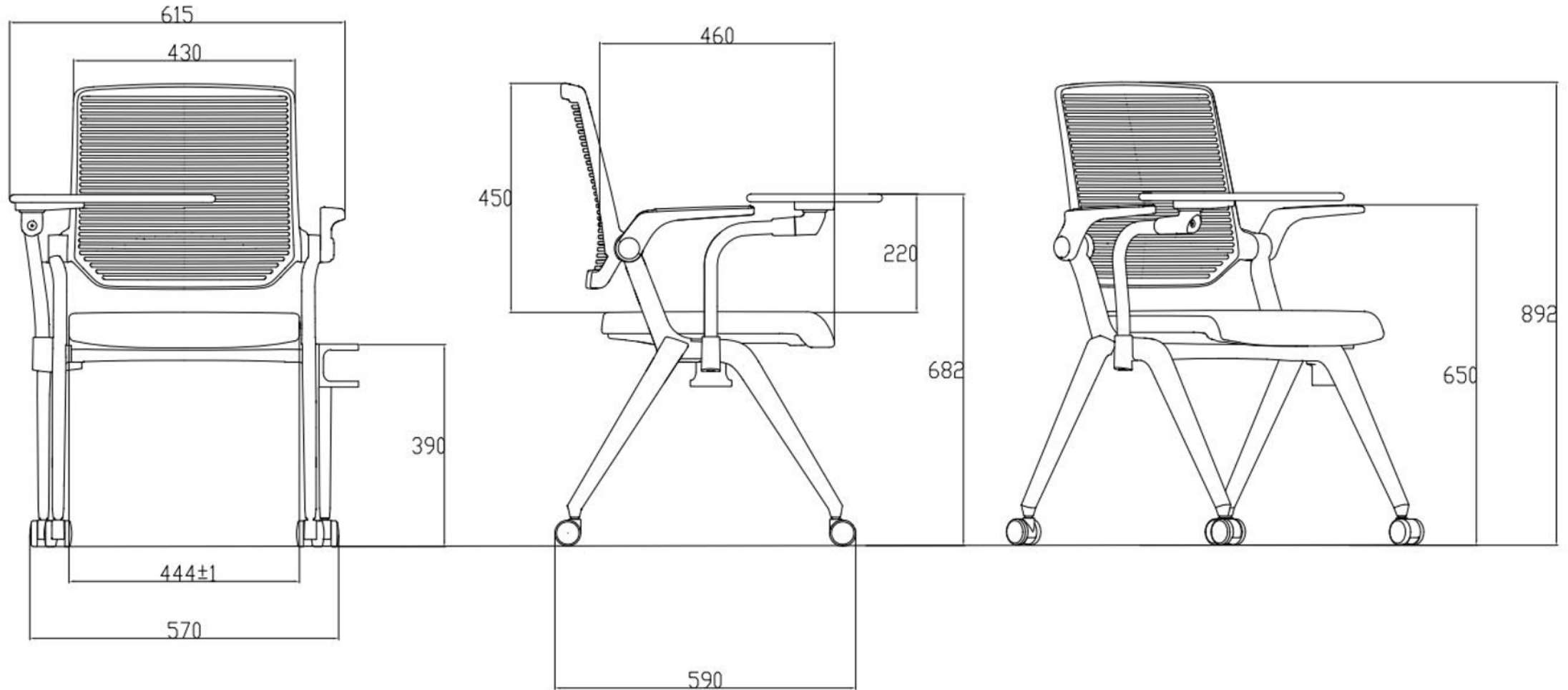
### Seat Connectors

Secure the Ulike chairs with binding connectors for seminars or workshops.



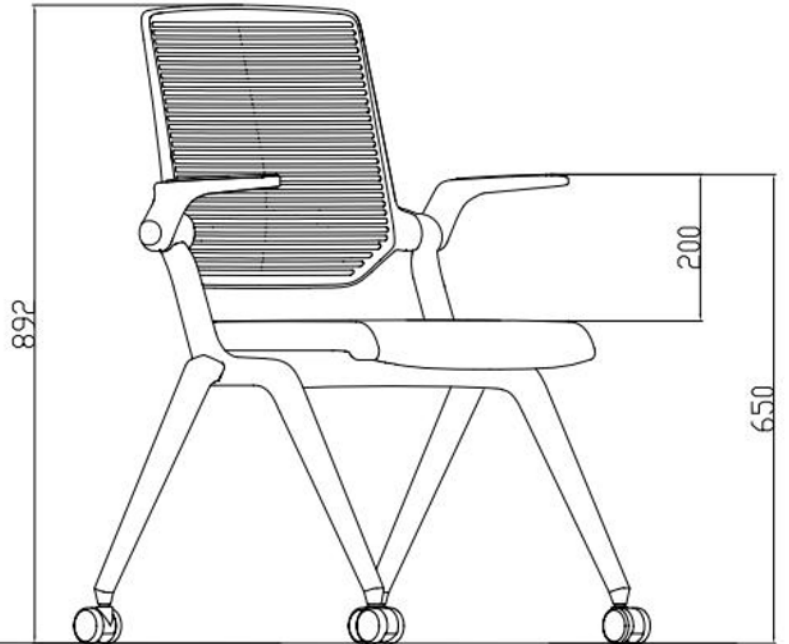
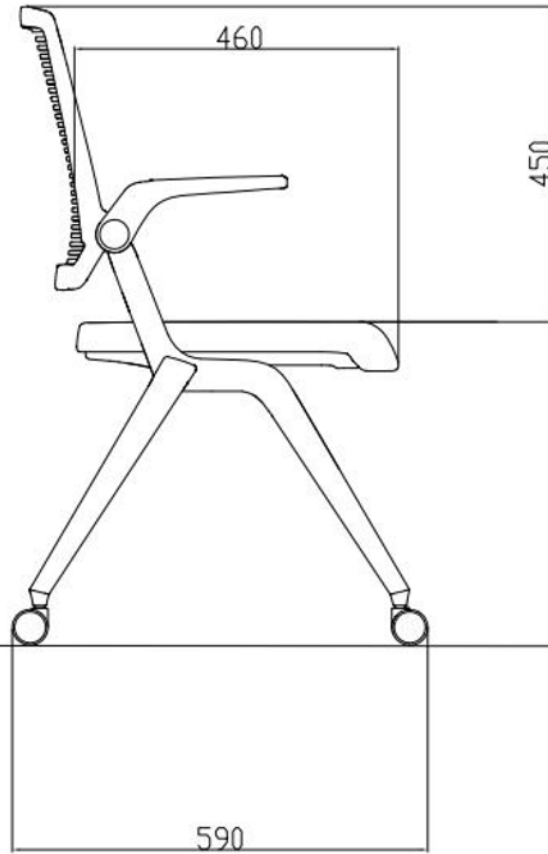
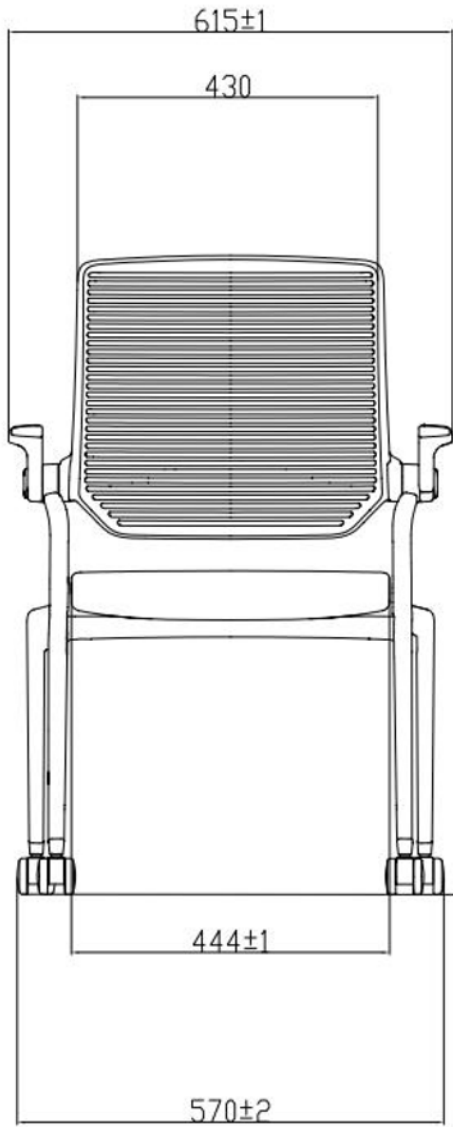
# + SPECIFICATIONS

+



# + SPECIFICATIONS

+



# + SPECIFICATIONS

+

