

MODEL# ED260P1, ED260P2, ED261P, ED262P,
ED263P, ED265P, ED266P, ED275P,
ED276P1, ED276P2, ED277P

IMPORTANT SAFETY INSTRUCTIONS:

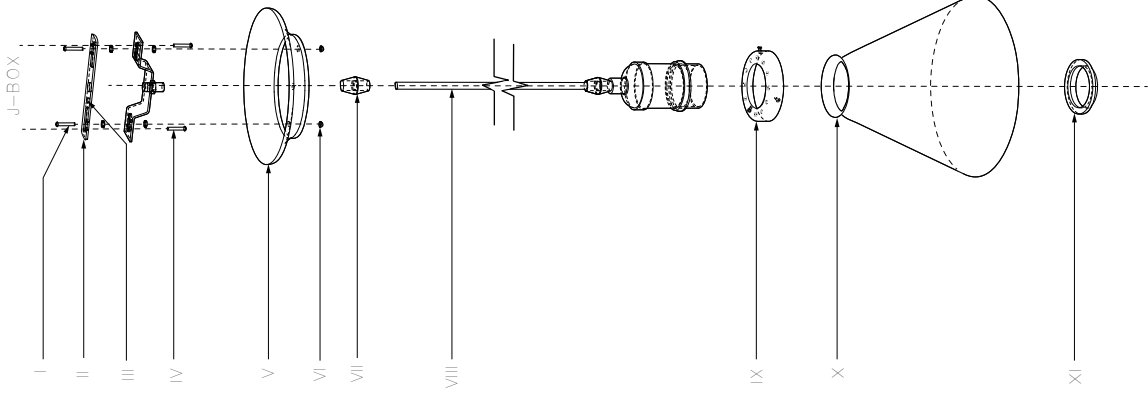
- Please read instructions in their entirety prior to assembly and installation.
- **We strongly recommend installation by a licensed Electrician.**
- Make sure the electricity to the wires you are working with is shut off; the fuse is removed or circuit breaker is turned off. Simply turning the power off using a light switch is not sufficient to prevent electrical shock!
- All electrical connections must be in accordance with local and National Electrical Code (NEC) standards.

TOOLS REQUIRED:

Slotted screwdriver, Adjustable wrench, Step ladder, Wire cutters, Wiring supplies as required by electrical code.

ASSEMBLY AND INSTALLATION:

1. Shut off main electrical supply at fuse box or circuit breaker
2. Thread pendent cord and wiring (VII) through canopy fastener nuts (VII), by loosening fastener nuts. Re-tighten fastener nuts when cord and wiring are in desired position.
3. Affix mounting plate (I) to ceiling junction box using mounting plate screws (IV).
4. Thread ceiling box wires through mounting plate (I)
5. Wrap ground wire under and around ground screw (III) marked GND. Fasten Ground screw to make sure ground wire is securely connected.
6. Connect black fixture wire to black supply wire and white supply wire to white supply wire using wire connectors (provided). Wrap connection with electrical tape.
7. Connect fixture ground wire and house ground wire
8. Carefully place wiring back in junction box.
9. Place canopy (V) over mounting screws and mounting plates (II), and affix to ceiling using mounting screws (I) and decorative fastener (VI).
10. Thread light canopy ring (IX) over fixture (VIII), then thread light canopy (X) over fixture. Tighten using fastener ring (XI)



ITEMS INCLUDED:

- (1) pendent cord set
- (2) fastener nuts
- (1) light bulb
- (1) mounting plate
- (1) fastener ring
- (1) canopy mounting plate
- (1) light canopy (depends on model #)
- (2) mounting plate screws
- (2) canopy screws
- (4) nuts
- (4) washers