

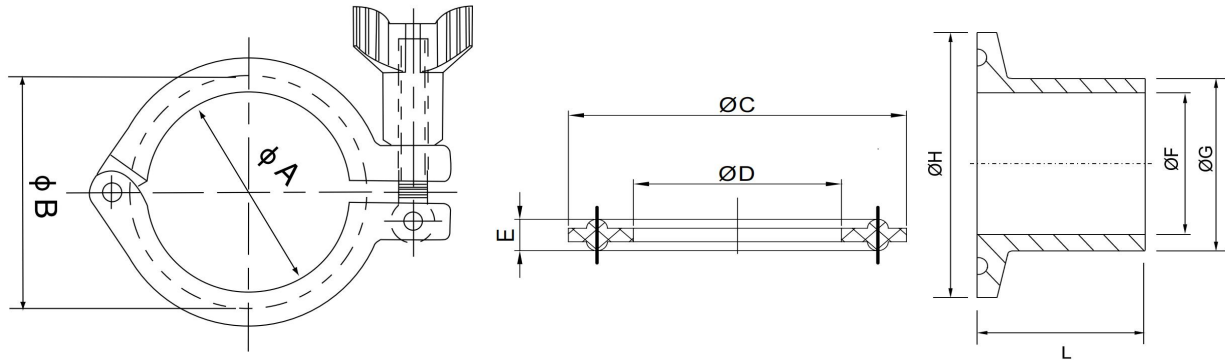
Sanitary Clamps Spec Sheet

—Sanitary Pipe Weld Ferrule + Tri Clamp + PTFE Gasket Set



The Sanitary Pipe Weld Ferrule and Tri Clamp are made of high quality 304 stainless steel and the gasket set is made of PTFE. Disc on two fittings are clamped together with a high temp PTFE gasket in between, providing a clean efficient connection for valves, hoses, etc. and the thumb screw is easy to tighten, it makes a good seal.

The tri-clamp fitting can be used for connecting two pipes in the same direction in the double seal system. It is suitable for different media including liquid and gas, with working at -40°F ~ 302°F .



Material: AISI 304

Sanitary Pipe Weld Ferrule + Tri Clamp + PTFE Gasket Set

SKU	SIZE	ϕA	ϕB	ϕC	ϕD	E	ϕF	ϕG	ϕH	L
EXA-WELD-1.5IN	1 1/2"	44.4	53.6	50.5	35	4.8	34.8	38.1	50.5	21.5
EXA-WELD-2IN	2"	57.8	67	64	48	4.8	47.5	50.8	64	21.5
EXA-WELD-3IN	3"	84	94.2	91	72	4.8	72.9	76.2	91	21.5

The above Dimensions are in millimeters.

Hardware Factory Store Inc.

1029 N Todd Ave. Azusa, CA 91702

TEL: 626.332.7744

E-MAIL: info@hfsusa.com

WEBSITE: <https://hardwarefactorystore.com/>

