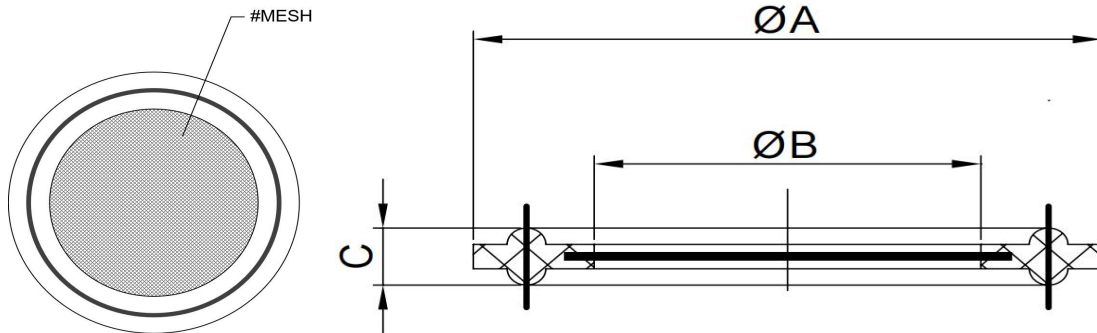


Sanitary Tri-Clamp Gaskets Spec Sheet

—FKM (Viton) Tri Clamp Screen Gasket



FKM Tri-Clamp® Screen Gaskets are interchangeable with standard Tri-Clamp® Sanitary Gaskets for ease of use. These fluid filtration gaskets feature a 304 stainless steel screen, making them suitable for high purity systems. The screens are available in a variety of mesh sizes ranging from 10 Mesh up to 2500 Mesh. Fluid filtration gaskets provide the most comprehensive range of stainless steel mesh and filter cloth to provide the ultimate particulate elimination for protecting fill and finish sterile products.



Material: Viton+SS304

Temp. Range: -40°F~446°F

SKU	SIZE	ØA		ØB		C		#Mesh
		in	mm	in	mm	in	mm	
EXA-MESH-VITON-1.5IN-10	1 1/2"	1.988	50.5	1.378	35	0.189	4.8	10
EXA-MESH-VITON-1.5IN-40	1 1/2"	1.988	50.5	1.378	35	0.189	4.8	40
EXA-MESH-VITON-1.5IN-100	1 1/2"	1.988	50.5	1.378	35	0.189	4.8	100
EXA-MESH-VITON-1.5IN-150	1 1/2"	1.988	50.5	1.378	35	0.189	4.8	150
EXA-MESH-VITON-2IN-10	2"	2.520	64	1.890	48	0.189	4.8	10
EXA-MESH-VITON-2IN-40	2"	2.520	64	1.890	48	0.189	4.8	40
EXA-MESH-VITON-2IN-100	2"	2.520	64	1.890	48	0.189	4.8	100
EXA-MESH-VITON-3IN-10	3"	3.583	91	2.835	72	0.189	4.8	10
EXA-MESH-VITON-3IN-40	3"	3.583	91	2.835	72	0.189	4.8	40
EXA-MESH-VITON-3IN-100	3"	3.583	91	2.835	72	0.189	4.8	100
EXA-MESH-VITON-3IN-2500	3"	3.583	91	2.835	72	0.189	4.8	2500
EXA-MESH-VITON-3IN-40X2500	3"	3.583	91	2.835	72	0.209	5.3	40+2500
EXA-MESH-VITON-4IN-10	4"	4.685	119	3.858	98	0.189	4.8	10
EXA-MESH-VITON-4IN-40	4"	4.685	119	3.858	98	0.189	4.8	40
EXA-MESH-VITON-4IN-100	4"	4.685	119	3.858	98	0.189	4.8	100
EXA-MESH-VITON-4IN-2500	4"	4.685	119	3.858	98	0.189	4.8	2500
EXA-MESH-VITON-4IN-40X2500	4"	4.685	119	3.858	98	0.213	5.4	40+2500
EXA-MESH-VITON-6IN-10	6"	6.575	167	5.827	148	0.189	4.8	10
EXA-MESH-VITON-6IN-40	6"	6.575	167	5.827	148	0.189	4.8	40
EXA-MESH-VITON-6IN-100	6"	6.575	167	5.827	148	0.189	4.8	100
EXA-MESH-VITON-6IN-2500	6"	6.575	167	5.827	148	0.189	4.8	2500
EXA-MESH-VITON-6IN-40X2500	6"	6.575	167	5.827	148	0.217	5.5	40+2500
EXA-MESH-VITON-8IN-10	8"	8.543	217	7.874	200	0.189	4.8	10
EXA-MESH-VITON-8IN-40	8"	8.543	217	7.874	200	0.189	4.8	40
EXA-MESH-VITON-8IN-100	8"	8.543	217	7.874	200	0.189	4.8	100

Hardware Factory Store Inc.

1029 N Todd Ave. Azusa, CA 91702

TEL: 626.332.7744

E-MAIL: info@hfsusa.com

WEBSITE: <https://hardwarefactorystore.com/>

 **HFS**
www.HardwareFactoryStore.com