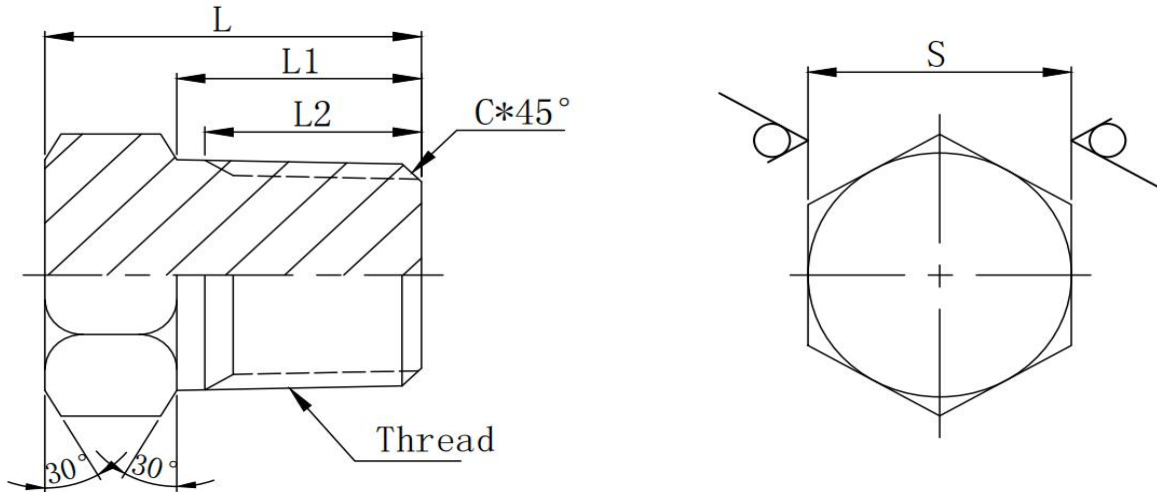


Tube Fittings Spec Sheet

Hex Head Plug



SKU	SIZE	THREAD	DIMENSIONS			
			L(mm)	L1(mm)	L2(mm)	S(mm)
EXA-END-NPT-0104	1/4"	NPT1/4"-18	20.0	13.0	11.5	14.0
EXA-END-NPT-0308	3/8"	NPT3/8"-18	20.0	14.0	12	19.0
EXA-END-NPT-0102	1/2"	NPT1/2"-14	20.0	14.0	12	22.0

Hardware Factory Store Inc.

1029 N Todd Ave. Azusa, CA 91702

TEL: 626.332.7744

E-MAIL: info@hfsusa.com

WEBSITE: <https://hardwarefactorystore.com/>

 **HFS**
www.HardwareFactoryStore.com

Dimensions and pressures for reference only, subject to change.