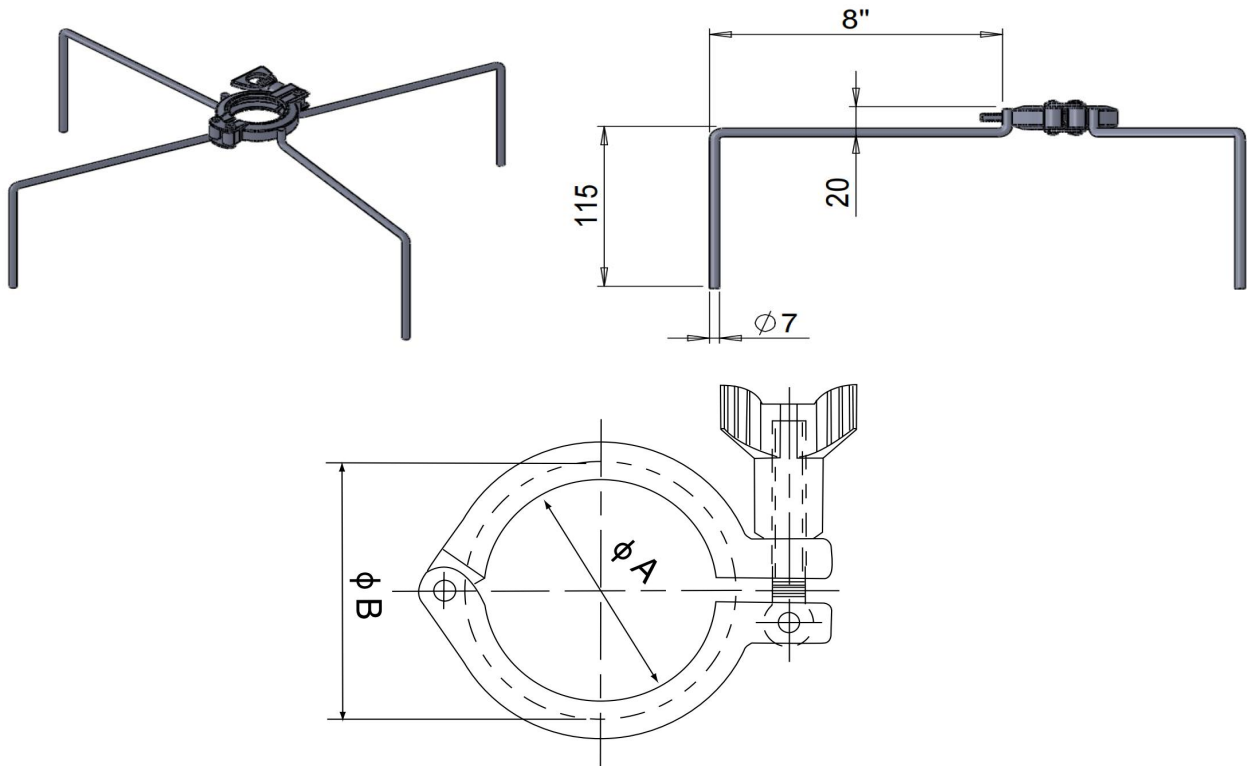


# Sanitary Clamps Spec Sheet

## — Single-Pin Heavy Duty Clamp with Support Stand



13MHH Single Pin Heavy Duty Clamps are constructed from 304 stainless steel and intended for use with sanitary fitting. The 2-piece hinge design of these sanitary clamps provides the evenly distributed clamping pressure possible while the cross-hole wing nut style sanitary clamps allow for quick and easy tightening without the need for tools.



Material: AISI 304

### 13MHH - Single-Pin Heavy Duty Clamp

SKU	SIZE	ØA		ØB		Max PSI @ 70°F
		in	mm	in	mm	
EXA-CLAMP-1.5IN-S	1 1/2"	1.748	44.4	2.110	53.6	500
EXA-CLAMP-2IN	2"	2.276	57.8	2.678	67	450
EXA-CLAMP-3IN-S	3"	3.307	84	3.708	94.2	350

## Hardware Factory Store Inc.

1029 N Todd Ave. Azusa, CA 91702

TEL: 626.332.7744

E-MAIL: [info@hfsusa.com](mailto:info@hfsusa.com)

WEBSITE: <https://hardwarefactorystore.com/>

