

# Three Piece Ball Valve

—Female NPT Connection

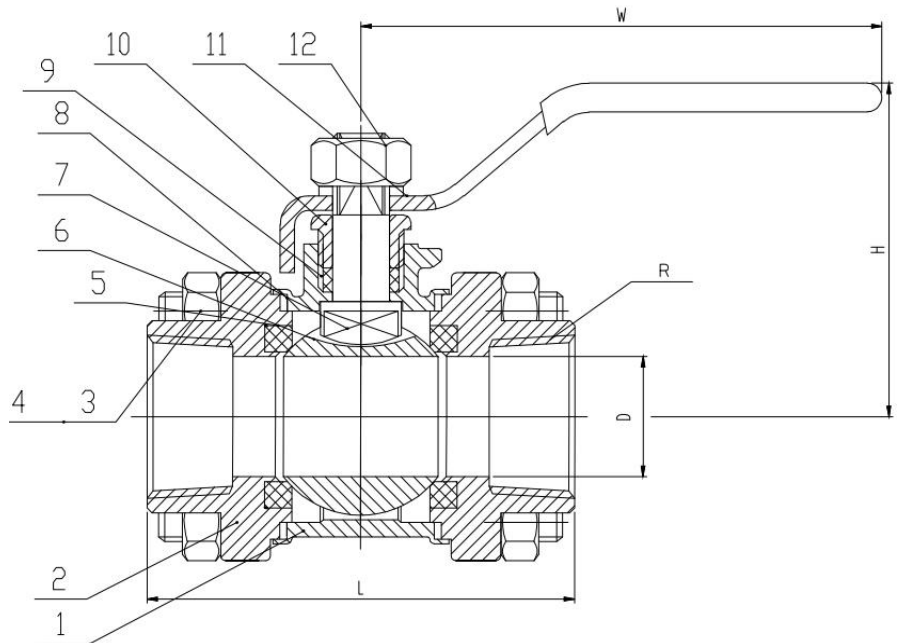


## FEATURE

- Product Type: Three Piece Ball Valve
- Working Pressure: 1.6Mpa
- Max Working Temp.:150°C
- Service Media: water, gas, and oil

## MATERIALS OF CONSTRUCTION

NO.	Components	Material
1	Body	CF8
2	Left & Right Body	CF8
3	Nut	304
4	Stud-Bolt	304
5	Seal Ring	PTFE
6	Ball	304
7	Stem	304
8	Gasket	PTFE
9	Packing	PTFE
10	Gland	CF8
11	Handle	201+Rubber
12	Nut	304



SKU	SIZE	L		d		R	H		w	
		mm	inch	mm	inch		mm	inch	mm	inch
EXA-VALVE-FNPT-0102	1/2"	69	2.72	15	0.59	1/2" NPT	46	1.81	105	4.13
EXA-VALVE-FNPT-0304	3/4"	80	3.15	20	0.79	3/4" NPT	54	2.13	110	4.33
EXA-VALVE-FNPT-01	1"	87	3.43	25	0.98	1" NPT	64	2.52	130	5.12

Hardware Factory Store Inc.

1029 N Todd Ave. Azusa, CA 91702

TEL: 626.332.7744

E-MAIL: info@hfsusa.com

WEBSITE: <https://hardwarefactorystore.com/>

