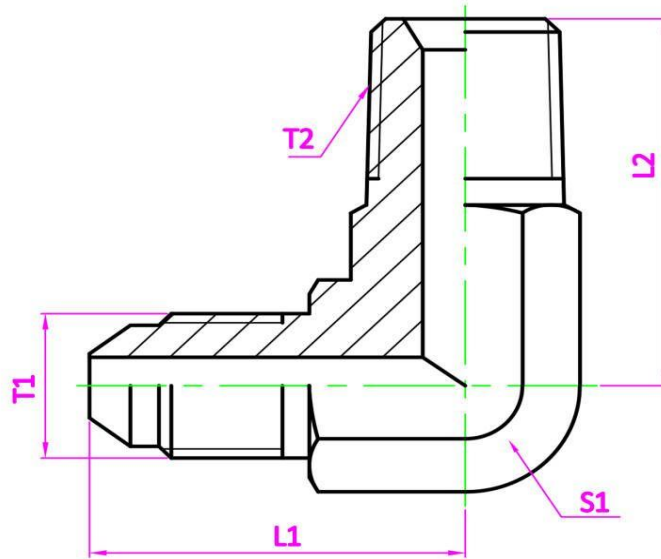


Tube Fittings Spec Sheet

— 90° Elbow JIC Male/NPT Male



SKU	Tube O.D.		THREAD		DIMENSIONS(mm)			Weight (g/pc)	Working Pressure Mpa
	inch	mm	T1(UNF)	T2	L1	L2	S1		
EXA-ELBOW-MNPT0104-MJIC0104	1/4"	6	7/16"-20	NPT1/4"-18	26.6	27.7	14	35	27.5
EXA-ELBOW-MNPT0308-MJIC0104	1/4"	6	7/16"-20	NPT3/8"-18	29.0	31.0	16	51	21
EXA-ELBOW-MNPT0102-MJIC0104	1/4"	6	7/16"-20	NPT1/2"-14	29.0	37.3	22	55	21
EXA-ELBOW-MNPT0308-MJIC0308	3/8"	10	9/16"-18	NPT3/8"-18	29.0	31.0	16	59	21
EXA-ELBOW-MNPT0102-MJIC0308	3/8"	10	9/16"-18	NPT1/2"-14	31.0	37.3	22	85	28
EXA-ELBOW-MNPT0102-MJIC0102	1/2"	12	3/4"-16	NPT1/2"-14	34.8	37.3	22	114	21
EXA-ELBOW-MNPT0304-MJIC0304	3/4"	18-20	1 1/16"-12	NPT3/4"-14	42.5	40.5	27	214	17

Hardware Factory Store Inc.

1029 N Todd Ave. Azusa, CA 91702

TEL: 626.332.7744

E-MAIL: info@hfsusa.com

WEBSITE: <https://hardwarefactorystore.com/>

