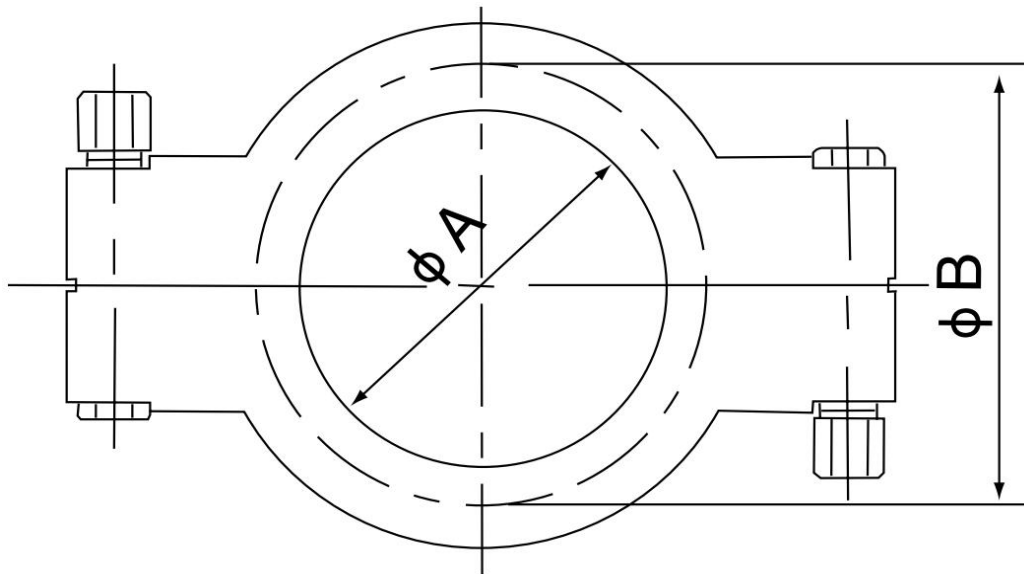


Sanitary Clamps Spec Sheet

— Double Bolted High Pressure Clamp



13MHP Dual Bolted High Pressure Clamps are constructed from 304 stainless steel and intended for use with sanitary fitting connections. High pressure clamps are a significant upgrade from the standard clamp, with the ability to withstand twice the pressure of comparable sized single or double hinged clamps.



Material: AISI 304

13MHP - Double Bolted High Pressure Clamp

SKU	SIZE	ϕA		ϕB	
		in	mm	in	mm
EXA-H-CLAMP-1.5IN	1 1/2"	1.705	43.3	2.047	52
EXA-H-CLAMP-2IN	2"	2.220	56.4	2.579	65.5
EXA-H-CLAMP-3IN	3"	3.051	77.5	3.642	92.5
EXA-H-CLAMP-4IN	4"	4.283	108.8	4.744	120.5
EXA-H-CLAMP-6IN	6"	6.220	158	6.693	170
EXA-H-CLAMP-8IN	8"	8.110	206	8.661	220
EXA-H-CLAMP-10IN	10"	10.157	258	10.740	272.8
EXA-H-CLAMP-12IN	12"	12.165	309	12.898	327.6

Hardware Factory Store Inc.

1029 N Todd Ave. Azusa, CA 91702

TEL: 626.332.7744

E-MAIL: info@hfsusa.com

WEBSITE: <https://hardwarefactorystore.com/>

