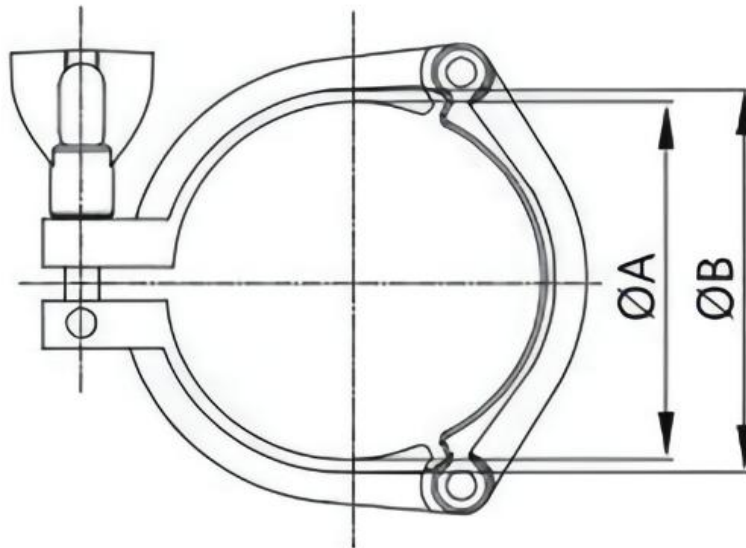


Sanitary Clamps Spec Sheet

—Three Segment Clamp



13MHHS Three Segment Clamps are constructed from 304 stainless steel and intended for use with sanitary fitting connections. It provides the most evenly distributed clamping pressure. A three segment clamp will allow for slightly higher service pressure ratings over traditional 2-piece hinge clamps.



Material: AISI 304					
13MHHS - Three Segment Clamp					
SKU	SIZE	ØA		ØB	
		in	mm	in	mm
EXA-TRI-CLAMP-1.5IN	1 1/2"	1.748	44.4	2.110	53.6
EXA-TRI-CLAMP-2IN	2"	2.276	57.8	2.678	67
EXA-TRI-CLAMP-3IN	3"	3.307	84	3.708	94.2
EXA-TRI-CLAMP-4IN	4"	4.331	110	4.811	122.2
EXA-TRI-CLAMP-6IN	6"	6.118	155.4	6.709	170.4
EXA-TRI-CLAMP-8IN	8"	8.071	205	8.661	220
EXA-TRI-CLAMP-10IN	10"	10.157	258	10.709	272
EXA-TRI-CLAMP-12IN	12"	12.087	307	12.717	323

Hardware Factory Store Inc.

1029 N Todd Ave. Azusa, CA 91702

TEL: 626.332.7744

E-MAIL: info@hfsusa.com

WEBSITE: <https://hardwarefactorystore.com/>

