

**OX® TRADE TELESCOPIC
MULTI-PURPOSE LADDER**
OPERATING PROCEDURE AND
SAFETY INSTRUCTIONS

TELESCOPIC MULTI-PURPOSE LADDER



WARNING

1. Read these instructions completely before using the ladder. If you don't understand call +64-9-431-1055 for assistance.
2. Failure to comply with all instructions may result in serious injury.
3. This Manual should be read in conjunction with instructions on the ladder itself.



1. DESCRIPTION

- Product overview 2
- Terminology 3

2. SAFETY

- Inspection of product 4
- Proper set-up and use 4
- Proper care of product 5

3. SOFT TOUCH PUSH KNOB LOCKING HINGE

- Hinge operations (adjust angle of ladder) 6

4. SPRING LOADED “J” LOCKS

- Lock operation (adjust height) 7

5. PROPER USE

- How to setup positions 8

1 DESCRIPTION

PRODUCT OVERVIEW

The OX Trade Telescopic Multi-Purpose Ladder is a professional grade, multi-purpose ladder that can be changed into different positions and working heights. (See Positions 1-3)



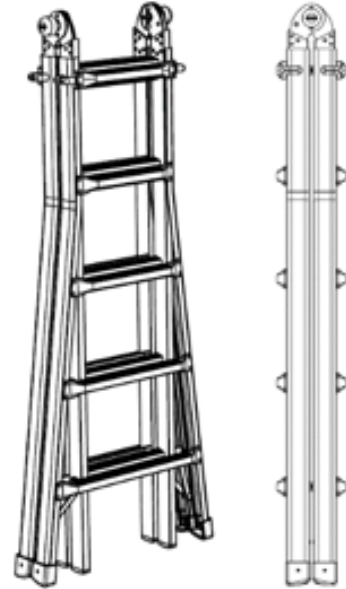
WARNING

Use ladder only in positions as shown below. Any other position is misuse of the product which could result in serious injury or death.



CAUTION

DO NOT overload ladder. Maximum weight of person, tools, and materials are not to exceed duty rating of 150 kg.



STORAGE POSITION

Position #1

TWIN STEPLADDER

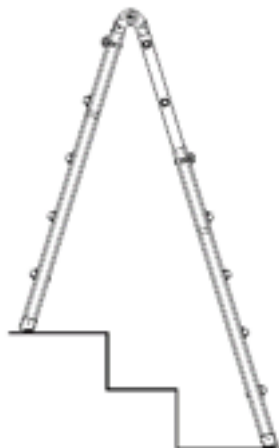
See page 8



Position #2

STAIRWAY STEPLADDER

See page 10



Position #3

TWIN STEPLADDER

See page 8



WORKING HEIGHTS

The following chart shows the working heights of each of the available units in each of the 4 main positions.

Working Length Range	OXTL03	OXTL04	OXTL05
A Frame	1100-1700mm	1400-2320mm	1700-2930mm
Extension	2100-3320mm	2700-4530mm	3300-5720mm

POSITIONS

The following chart shows the number of available positions for each of the available units in each of the 4 main positions.

Positions	OXTL03	OXTL04	OXTL05
Step	3	4	5
Stair	3	6	10
Extension	5	7	9

These ladders are all rated 150kgs

TERMINOLOGY

Spend time to look at the figure below. Become familiar with names used to describe parts of the OX Trade Telescopic Multi-Purpose Ladder. They will be used throughout this manual.

Hinge lock

'J' lock

End cap



Inner ladder Section

Ladder side rail

Outer ladder section

Rung/step

2 SAFETY

INSPECTION OF PRODUCT

For safety, follow these inspection instructions:



WARNING

Failure to follow these instructions could result in serious injury or death.

- Never use ladder with missing, worn or damaged parts. Inspect before each use.
- Never repair a damaged ladder without permission from Easy Access Co.
- Destroy ladder if exposed to excessive heat (such as in a house fire) or corrosive agents (like acids or alkalis).
- For information on replacing parts or labels contact Easy Access Co. at the address given below. If possible, know model number of ladder for reference.
- For additional care, use and safety instructions, contact your employer, dealer or Easy Access Co.



Write or Call:
EASY ACCESS CO 1999 LTD
334 STATE HIGHWAY 12,
MAUNGATUROTO 0587
Ph:- +64 9 431 1055

PROPER SET-UP AND USE

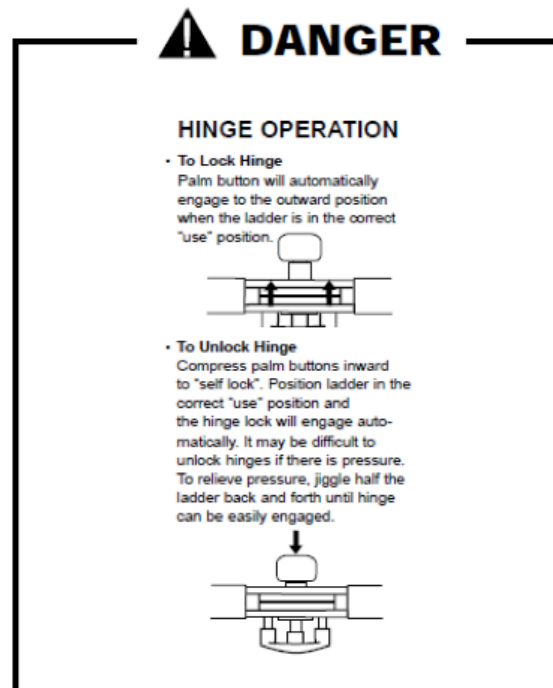
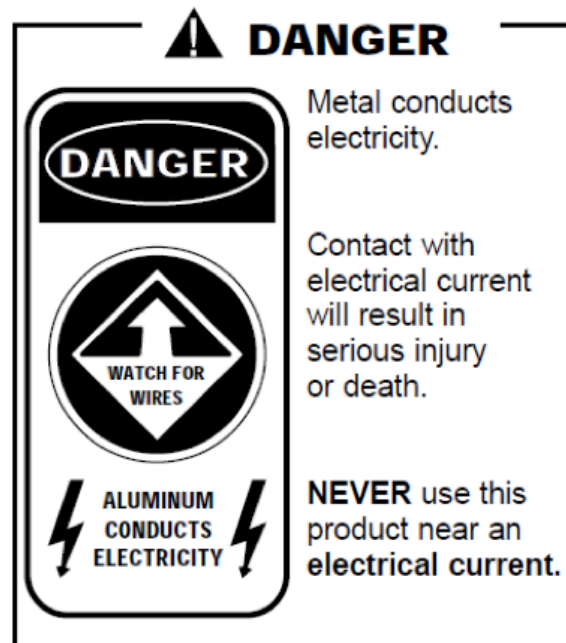
For safety, follow these set-up and use instructions:

- READ ALL LABELS
- You should never use a ladder if you are not in good physical condition.
- Do NOT use in front of unlocked doors.
- Place feet on firm, level ground.
- If forced to use on slippery surface, secure ladder from sliding before climbing.
- The use of ladders on drop cloths may present a sliding hazard.
- When using as a stepladder or extension ladder, always face ladder and maintain firm grip.
- Never place anything on or under ladder to gain height, or use unstable means to adjust for uneven surfaces.
- Check that all four ladder ends are firmly supported to prevent excessive movements.
- Use extreme caution when getting on or off ladder.
- When possible, have someone hold the ladder.

PROPER SET-UP AND USE (CONTINUED)

For safety, follow these set-up and use instructions:

- Never walk, bounce or move ladder while on it.
- DO NOT OVER REACH. Always keep belt buckle between side rails when climbing or working. You may lose your balance and/or tip ladder.
- Wind loading can cause unbalance.
- Use extreme caution when pushing or pulling anything. You may lose your balance and/or tip ladder.
- Never use the ladder as a brace
- The maximum weight of a person, tools, and materials must not exceed 150kg
- DO NOT use any components not supplied or approved by Easy Access Co. with this ladder.
- To set ladder up: Support ladder by laying it on its side on the ground. Open to desired allowable position and then stand ladder up. Watch for overhead wires.
- Never use ladder jacks on this ladder, regardless of the manner in which it is being used.
- When using as a single or extension ladder, distance from base to base of support wall must be $\frac{1}{4}$ of the working length of the ladder. The ladder must extend one metre above the roof, where applicable.



PROPER CARE OF PRODUCT

For safety, follow these care instructions:

- Always keep ladder clean of all foreign materials. Clean after each use.
- Check moving parts regularly. Lubricate all moving parts regularly. Use caution not to get lubricant on rungs or side rail.

3 SOFT TOUCH PUSH KNOB LOCKING HINGE

HINGE OPERATION

For safety, follow these Soft Touch push knob hinge instructions:

The OX Telescopic Multi-ladder inner section allows the ladder to be folded into 3 set positions; extension ladder, twin stepladder, and storage. Each of these configurations is made possible by using the Soft Touch push knob locking hinge located on each side of the ladder.

To adjust the angle of the ladder:

- 1) With the center hinges in the closed position (See Figure 1) push the push knobs with the palm of your hand directly into the center of the ladder, they will stay in the open position.
- 2) In the open position (See Figure 2) the ladder angle can be adjusted.
- 3) When the ladder reaches any of the 3 set positions the push knobs will automatically spring back into the closed position.
- 4) To close ladder to the folded position repeat steps 1-3.

Note: Excess pressure on the centre hinge will make the push knob difficult to operate. Do Not Use any tools to pry or manipulate the hinge and or the push knob. If the push knob is difficult to use simply move one of the leg sections in or out to unbind the lock.

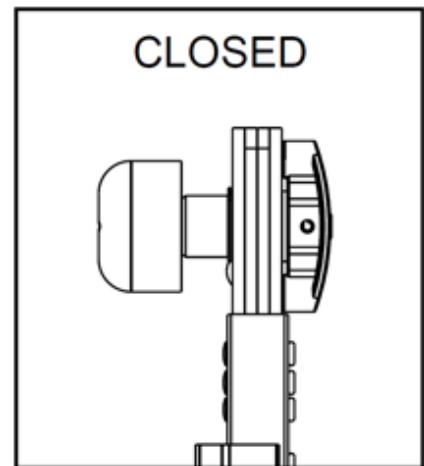
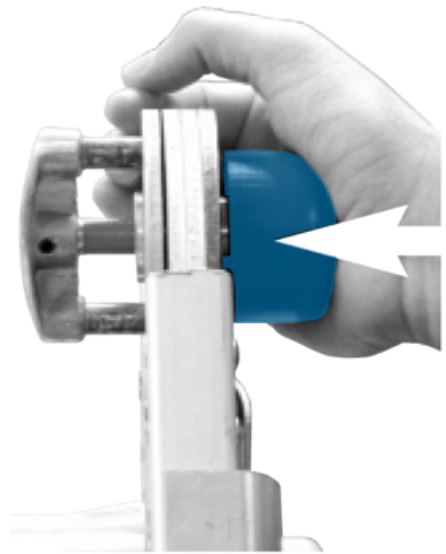


Figure 1

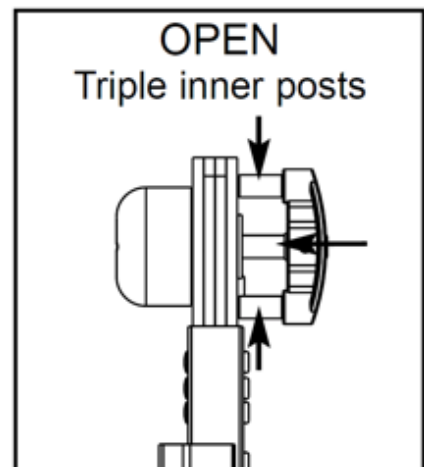


Figure 2



WARNING

- Serious injury or death could result if supporting hinges are NOT LOCKED when ladder is in use.
- Make certain supporting hinges are LOCKED before using ladder EACH TIME.

4 SPRING LOADED “J” LOCKS

LOCK OPERATION

For safety, follow these ‘J’ Lock instructions:

The OX Telescopic Multi-Ladder outer sections allow the ladder to telescope and change heights in all the configurations, besides the scaffold mode. Each of these configurations is made possible using the 4 Spring Loaded “J” locks 2 each on either side.

The Spring Loaded “J” locks are operated by pulling straight out and then rotating them away from the holes in the rails. Each “J” lock works independently allowing the end user to work the lock with one hand while holding the ladder with the other.

To adjust the height of the ladder:

- 1) Unlock the 4 “J” locks by pulling out and rotating the “J” lock away from the rung hole (See Figure 3).
- 2) Raise the inner section to the desire height.
- 3) While holding the inner ladder section with one hand, lock the 4 “J” locks by rotating them into the locked position (See Figure 4).



CAUTION

- Ensure all ‘J’ locks are secure in a rung hole before climbing.
- Maintain control of the inner section while raising or lowering, failure to do so could result in injury.

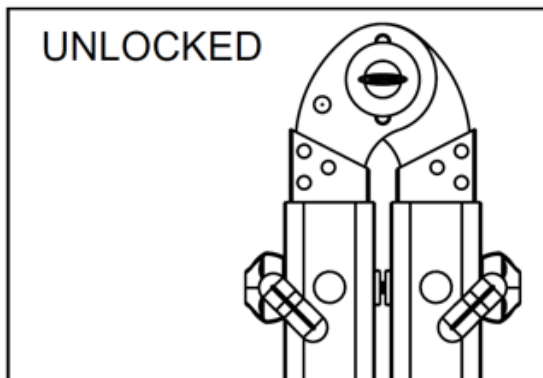


Figure 3

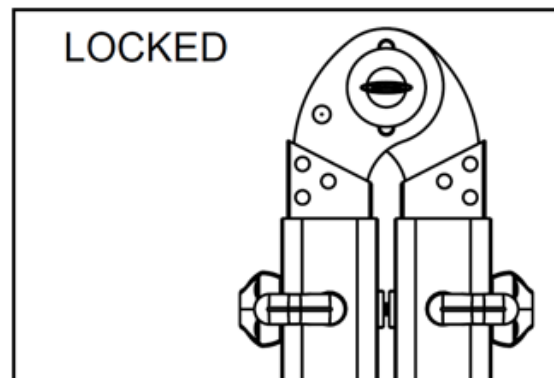


Figure 4

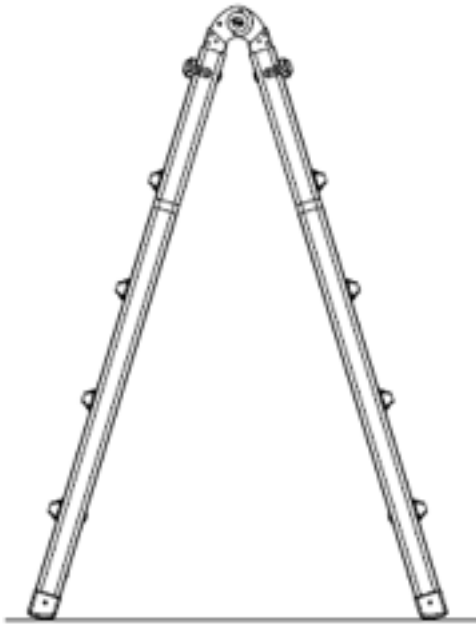
5 PROPER USE

HOW TO SETUP POSITIONS

The OX Telescopic Multi-ladder can be used in positions shown below with no additional equipment required. The following instructions will demonstrate how to change the OX Telescoping Multi-ladder.

POSITION #1

TWIN STEPLADDER



- 1) To configure the OX Telescopic Multi-Ladder into the stepladder position, follow the directions for changing the angle of the ladder (Section 3) using the push knob locking hinge.

Note: The stepladder position is easiest completed with the ladder standing up. In this position excess pressure is not exerted on the hinge.

- 2) At this point the height of the ladder can be changed to the desired height using the Spring Loaded "J" locks and the instructions for them (Section 4).



CAUTION

- For every position all hinges are supporting hinges and must be locked.
- Never straddle front and rear sections.
- Always face ladder and maintain firm grip while on it.
- DO NOT stand on or above second rung from top of ladder.

POSITION #2

STAIRWAY STEPLADDER



- 1) To configure the OX Multi-Ladder into the Stairway Stepladder position – this position is used when the user needs to work in a stairway.
- 2) To achieve this position, configure the ladder in the stepladder configuration as described in position #1. Raise to desired height.
- 3) Lower one side of the inner section until the desired step height is reached as described in position #2 above.
- 4) Position ladder on stairway, ensuring all legs are on firm ground or steps.



CAUTION

- Always face ladder and maintain firm grip while on it.
- DO NOT stand on or above second rung from top of ladder.

POSITION #3

EXTENSION LADDER



- 1) Configuring the OX Multi-Ladder into the extension ladder position, as with the stepladder position, the extension ladder position starts with changing the angle.

Note: The push knob hinge will catch in each of the 3 positions. Continue to disengage and rotate the sections until the desired position is reached.

- 2) With the ladder standing up, unlock the upper section "J" locks and walk the upper ladder section out. If more height is needed, extend the opposite section in the same way. Slide outer sections apart until desired length is met.



CAUTION

- Hinges and 'J' Locks must be secure before climbing ladder
- Never use ladder jacks on this ladder.
- Always face ladder and maintain firm grip while on it.
- DO NOT stand on or above second rung from top of ladder.