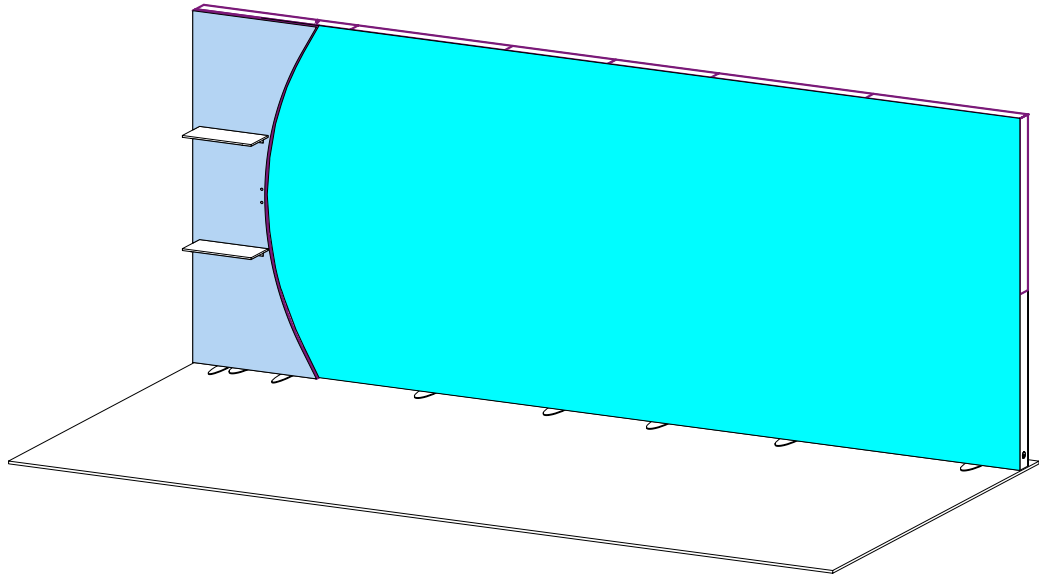
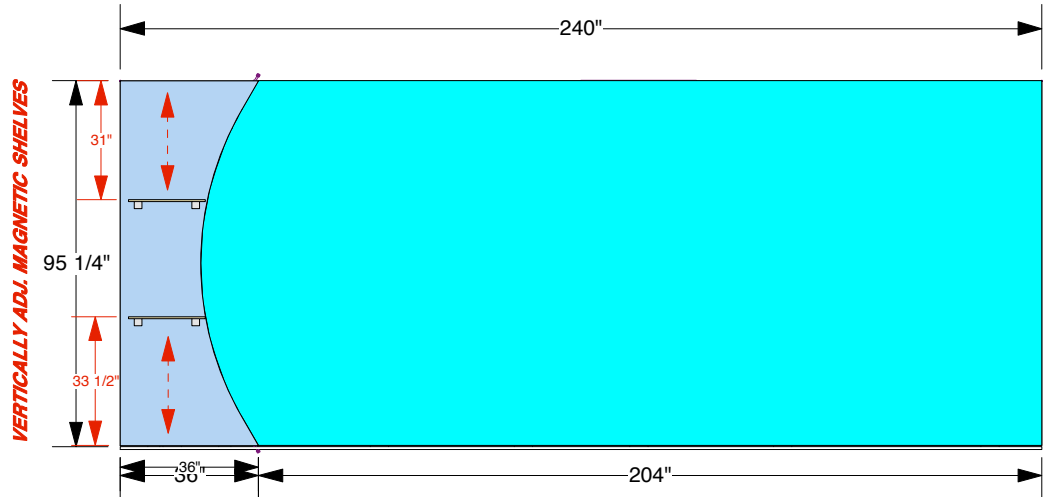


RIGHT 3D VIEW



FRONT VIEW



PLAN VIEW



APPROVAL: _____ DATE: _____

All prices are valid for 60 days. Please provide the latest project number with a copy of this line drawing when placing your order.