

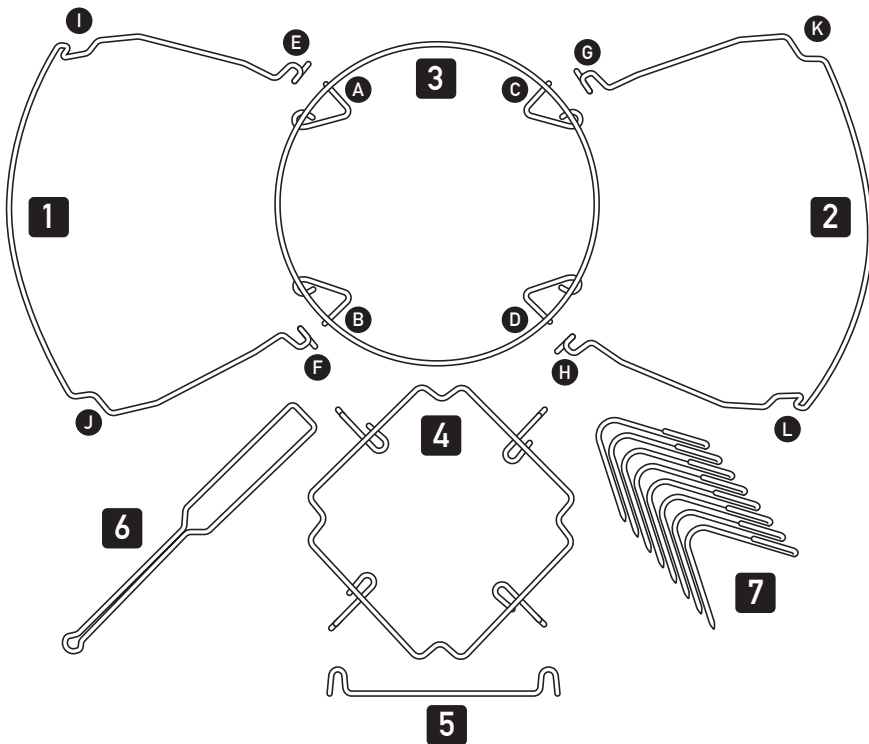
# WSM HANGER SYSTEM

Visit [PitBarrelCooker.com](http://PitBarrelCooker.com) for amazing compatible accessories!

## INSTRUCTIONS FOR ASSEMBLY & USE



Scan code for assembly and usage demonstration video



### HANGER SYSTEM INCLUDES THE FOLLOWING STAINLESS STEEL ITEMS:

- 1** Left Upright Support
- 2** Right Upright Support
- 3** Center Ring with Brackets
- 4** Center Hanger Mount
- 5** Crossbar
- 6** Hook Remover Tool
- 7** (8) Stainless Steel Hooks

*See assembly instructions for items A-L.*

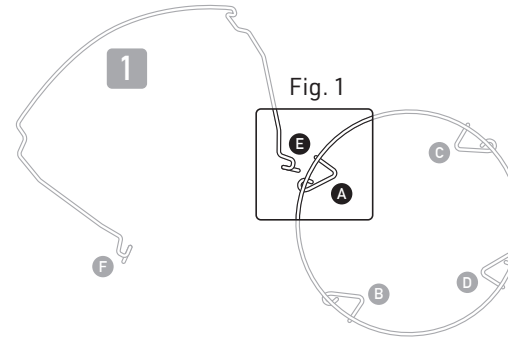


Fig. 1 Detail

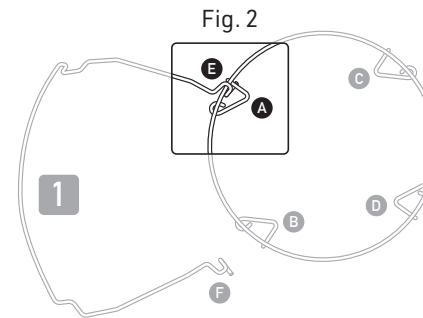
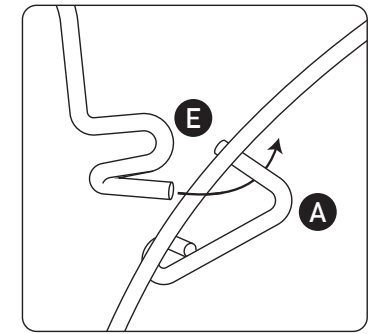
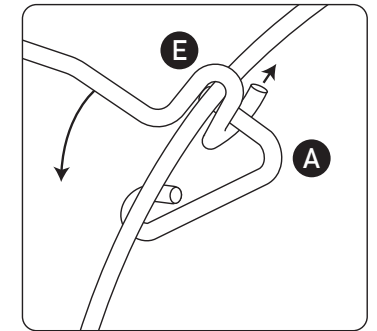
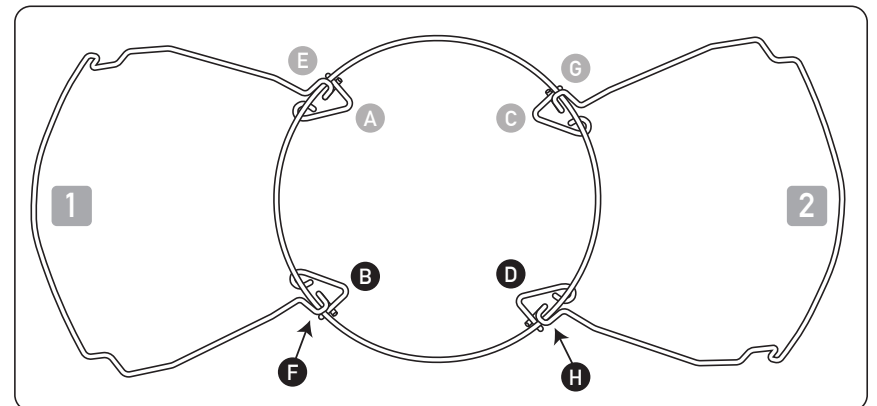


Fig. 2 Detail



**STEPS 1 and 2:** Insert end **E** from Support Upright **1** into Center Ring bracket **A** as shown above. Repeat with end **G** from Support Upright **2** and bracket space **C**.



**STEPS 3 and 4:** Squeeze support end **F** to insert into bracket space **B**. Repeat with **H** into **D** so that all four upright support ends are secured in place as shown above.

**PLACEMENT INTO THE COOKER:**

**STEP 5.** Bend the two support uprights inward and secure the (4) notches on the Supprt Uprights onto the metal grate brackets in the cooker as shown.

NOTE: There are two "C" notches (I & L) and two "step" notches (J & K) to secure. See Fig. 3 and Fig. 4 on the middle right for details.

**STEP 6.** Lower the center Hanger Mount onto the center ring, pushing the legs into the brackets until they lock in place.

**STEP 7.** Hang the Crossbar on the Hanger Mount as shown.

The fully assembled WSM Hanger should look like the diagram on the right.

See instructions for lighting and usage on the right.

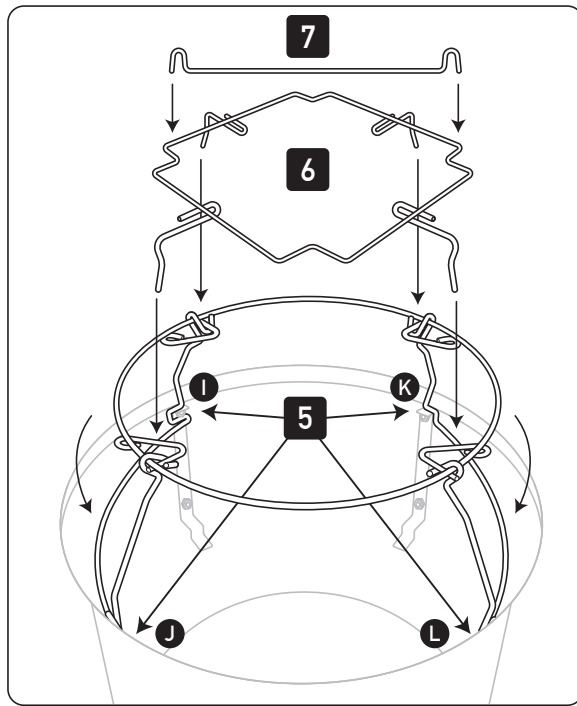


Fig. 3 - "C" notch (I & L)

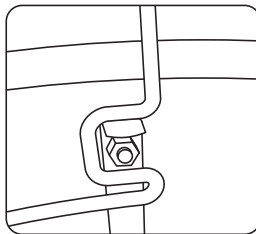
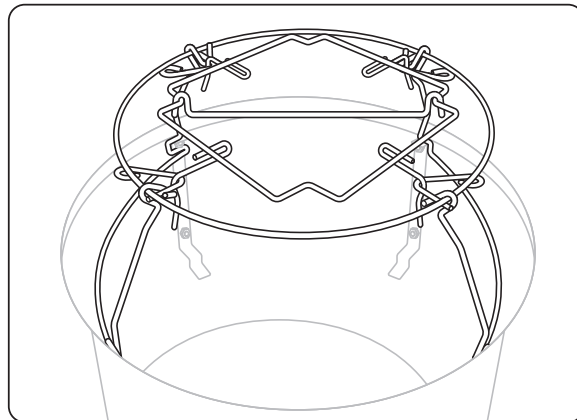
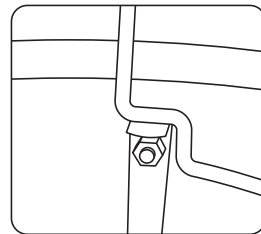


Fig. 4 - "Step" notch (J & K)



**PRIOR TO INSTALLING AND USING YOUR WSM HANGER SYSTEM:**

**STEP 1.** Fully open all air vents on the cooker. (4 total: 3 at the base, 1 on the lid)

**STEP 2.** Remove all loose items from the inside of the cooker except one grill grate (in the lower position) and the vented Coal Chamber ring

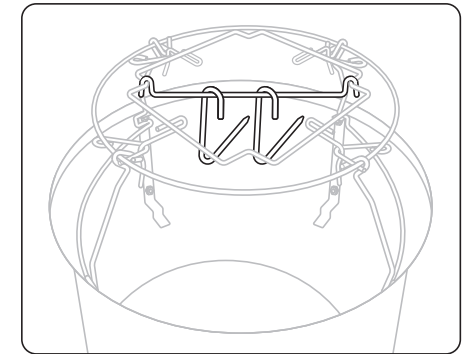
**STEP 3.** Fill the Coal Chamber ring 3/4 full of charcoal and follow PBC lighting procedure. Visit PitBarrelCooker.com for step-by-step video lighting instructions.

Visit PitBarrelCooker.com to purchase Poultry Hangers and other amazing accessories!

**FOR SMALL CAPACITY COOKS:**

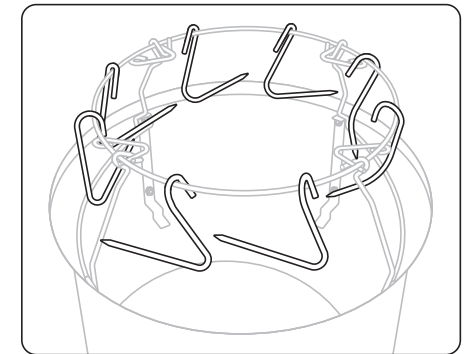
For smaller cooks (1-4 pieces) hang the meat in the center of the cooker from the Crossbar with the Stainless Steel Hooks as shown on the right.

TIP: For best results, leave as much space between items to be cooked as possible.



**FOR LARGE CAPACITY COOKS:**

For larger cooks (4-8 pieces), either hang the hooks from the perimeter of the Center Hanger Mount, OR remove the Center Hanger Mount and hang the hooks around the perimeter of the Center ring as shown on the right.



**PBC POULTRY HANGER COOKS:**

When cooking turkeys or other whole birds with a PBC Poultry Hanger: (1) Remove the Center Hanger Mount from the assembly. (2) Insert the Poultry Hanger into the bird according to instructions. (3) Position the Center Hanger Mount under the Poultry Hanger crossbar as shown on the right. (4) Lower the bird into the cooker and lock the Center Hanger Mount in place.

