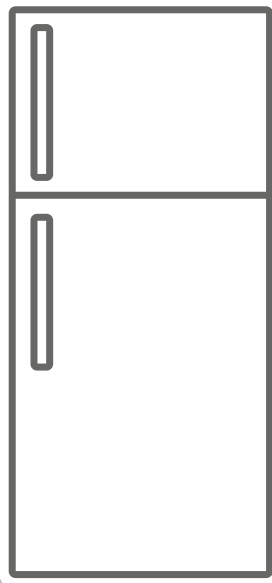




**EN** Freezer - Fridge / User Manual

**ES** Refrigerador - Congelador / Manual de Uso

**PT** Congelador - Frigorífico / Manual de utilizador








**F50G  
F50BL  
F50BK**

## Thank you for choosing this product.

This user manual contains important information on safety and instructions intended to assist you in the operation and maintenance of your appliance.

Please take the time to read this user manual before using your appliance and keep this book for future reference.

Icon	Type	Meaning
	<b>WARNING</b>	Serious injury or death risk
	<b>RISK OF ELECTRIC SHOCK</b>	Dangerous voltage risk
	<b>FIRE</b>	Warning; Risk of fire / flammable materials
	<b>CAUTION</b>	Injury or property damage risk
	<b>IMPORTANT</b>	Operating the system correctly

# CONTENTS

<b>1 SAFETY INSTRUCTIONS .....</b>	<b>4</b>
1.1 General Safety Warnings .....	4
1.2 Installation warnings .....	8
1.3 During Usage.....	8
<b>2 DESCRIPTION OF THE APPLIANCE .....</b>	<b>10</b>
<b>3 USING THE APPLIANCE .....</b>	<b>12</b>
3.1 Information on Less Frost Technology.....	12
3.2 Thermostat Setting .....	12
3.3 Temperature Settings Warnings .....	12
3.4 Accessories .....	13
3.4.1 Ice Tray.....	13
3.4.2 Adjustable Door Shelf ( <i>In some models</i> ) .....	<b>13</b>
3.4.3 Maxi-fresh preserver (If available).....	14
<b>4 FOOD STORAGE .....</b>	<b>14</b>
4.1 Refrigerator Compartment.....	14
4.2 Freezer Compartment .....	15
<b>5 CLEANING AND MAINTENANCE.....</b>	<b>18</b>
5.1 Defrosting .....	19
5.2 Replacing the Light Bulb.....	19
<b>6 SHIPMENT AND REPOSITIONING.....</b>	<b>20</b>
6.1 Transportation and Changing Positioning .....	20
6.2 Repositioning the Door.....	20
<b>7 BEFORE CALLING AFTER-SALES SERVICE .....</b>	<b>20</b>
<b>8 TIPS FOR SAVING ENERGY .....</b>	<b>21</b>
<b>9 TECHNICAL DATA.....</b>	<b>22</b>
<b>10 INFORMATION FOR TEST INSTITUTES .....</b>	<b>22</b>
<b>11 CUSTOMER CARE AND SERVICE .....</b>	<b>23</b>

# 1 SAFETY INSTRUCTIONS

## 1.1 General Safety Warnings

**Read this user manual carefully.**

**⚠ WARNING:** Keep ventilation openings, in the appliance enclosure or in the built-in structure, clear of obstruction.

**⚠ WARNING:** Do not use mechanical devices or other means to accelerate the defrosting process, other than those recommended by the manufacturer.

**⚠ WARNING:** Do not use electrical appliances inside the food storage compartments of the appliance, unless they are of the type recommended by the manufacturer.

**⚠ WARNING:** Do not damage the refrigerant circuit.

**⚠ WARNING:** When positioning the appliance, ensure the supply cord is not trapped or damaged.

**⚠ WARNING:** Do not locate multiple portable socket-outlets or portable power supplies at the rear of the appliance.

**⚠ WARNING:** In order to avoid any hazards resulting from the instability of the appliance, it must be fixed in accordance with the instructions.

**⚠** If your appliance uses R600a as a refrigerant (this information will be provided on the label of the cooler) you should take care during transportation and installation to prevent the cooler elements from being damaged. R600a is an environmentally friendly and

natural gas, but it is explosive. In the event of a leak due to damage of the cooler elements, move your fridge away from open flames or heat sources and ventilate the room where the appliance is located for a few minutes.

- While carrying and positioning the fridge, do not damage the cooler gas circuit.
- Do not store explosive substances such as aerosol cans with a flammable propellant in this appliance.
- This appliance is intended to be used in household and domestic applications such as:
  - staff kitchen areas in shops, offices and other working environments.
  - farm houses and by clients in hotels, motels and other residential type environments.
  - bed and breakfast type environments;
  - catering and similar non-retail applications.
- If the socket does not match the refrigerator plug, it must be replaced by the manufacturer, a service agent or similarly qualified persons in order to avoid a hazard.
- A specially grounded plug has been connected to the power cable of your refrigerator. This plug should be used with a specially grounded socket of 16 amperes. If there is no such socket in your house, please have one installed by an authorised electrician.

- This appliance can be used by children aged from 8 years and above and persons with reduced physical, sensory or mental capabilities or lack of experience and knowledge if they have been given supervision or instruction concerning use of the appliance in a safe way and understand the hazards involved. Children shall not play with the appliance. Cleaning and user maintenance shall not be made by children without supervision.
- Children aged from 3 to 8 years are allowed to load and unload refrigerating appliances. Children are not expected to perform cleaning or user maintenance of the appliance, very young children (0-3 years old) are not expected to use appliances, young children (3-8 years old) are not expected to use appliances safely unless continuous supervision is given, older children (8-14 years old) and vulnerable people can use appliances safely after they have been given appropriate supervision or instruction concerning use of the appliance. Very vulnerable people are not expected to use appliances safely unless continuous supervision is given.
- If the supply cord is damaged, it must be replaced by the manufacturer, an authorised service agent or similar qualified persons, in order to avoid a hazard.
- This appliance is not intended for use at altitudes exceeding 2000 m.

## **To avoid contamination of food, please respect the following instructions:**

- Opening the door for long periods can cause a significant increase of the temperature in the compartments of the appliance.
- Clean regularly surfaces that can come in contact with food and accessible drainage systems
- Store raw meat and fish in suitable containers in the refrigerator, so that it is not in contact with or drip onto other food.
- Two-star frozen-food compartments are suitable for storing pre-frozen food, storing or making ice cream and making ice cubes.
- One-, two- and three-star compartments are not suitable for the freezing of fresh food.
- If the refrigerating appliance is left empty for long periods, switch off, defrost, clean, dry, and leave the door open to prevent mould developing within the appliance.

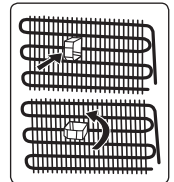
## 1.2 Installation warnings

Before using your **fridge freezer** for the first time, please pay attention to the following points:

- The operating voltage for your **fridge freezer** is 220-240 V at 50Hz.
- The plug must be accessible after installation.
- Your **fridge freezer** may have an odour when it is operated for the first time. This is normal and the odour will fade when your **fridge freezer** starts to cool.
- Before connecting your **fridge freezer**, ensure that the information on the data plate (voltage and connected load) matches that of the mains electricity supply. If in doubt, consult a qualified electrician.
- Insert the plug into a socket with an efficient ground connection. If the socket has no ground contact or the plug does not match, we recommend you consult a qualified electrician for assistance.
- The appliance must be connected with a properly installed fused socket. The power supply (AC) and voltage at the operating point must match with the details on the name plate of the appliance (the name plate is located on the inside left of the appliance).
- We do not accept responsibility for any damages that occur due to ungrounded usage.
- Place your **fridge freezer** where it will not be exposed to direct sunlight.
- Your **fridge freezer** must never be used outdoors or exposed to rain.
- Your appliance must be at least 50 cm away from stoves, gas ovens and heater cores, and at least 5 cm away from electrical ovens.
- If your **fridge freezer** is placed next to a deep freezer, there must be at least 2 cm between them to prevent humidity forming on the outer surface.
- Do not cover the body or top of **fridge freezer** with lace. This will affect the

performance of your **fridge freezer**.

- Clearance of at least 150 mm is required at the top of your appliance. Do not place anything on top of your appliance.
- Do not place heavy items on the appliance.
- Clean the appliance thoroughly before use (see Cleaning and Maintenance).
- Before using your **fridge freezer**, wipe all parts with a solution of warm water and a teaspoon of sodium bicarbonate. Then, rinse with clean water and dry. Return all parts to the **fridge freezer** after cleaning.
- Use the adjustable front legs to make sure your appliance is level and stable. You can adjust the legs by turning them in either direction. This must be done before placing food in the appliance.
- Install the two plastic distance guides (the parts on the black vanes -condenser- at the rear) by turning it 90° (as shown in the figure) to prevent the condenser from touching the wall.
- The distance between the appliance and back wall must be a maximum of 75 mm.



## 1.3 During Usage

- Do not connect your fridge freezer to the mains electricity supply using an extension lead.
- Do not use damaged, torn or old plugs.
- Do not pull, bend or damage the cord.
- Do not use plug adapter.
- This appliance is designed for use by adults. Do not allow children to play with the appliance or hang off the door.
- Never touch the power cord/plug with wet hands. This may cause a short circuit or electric shock.
- Do not place glass bottles or cans in the ice-making compartment as they will burst when the contents freeze.
- Do not place explosive or flammable material in your fridge. Place drinks with



high alcohol content vertically in the fridge compartment and make sure their tops are tightly closed.

- When removing ice from the ice-making compartment, do not touch it. Ice may cause frost burns and/or cuts.
- Do not touch frozen goods with wet hands. Do not eat ice-cream or ice cubes immediately after they are removed from the ice-making compartment.
- Do not re-freeze thawed frozen food. This may cause health issues such as food poisoning.

### Old and Out-of-order Fridges

- If your old fridge or freezer has a lock, break or remove the lock before discarding it, because children may get trapped inside it and may cause an accident.
- Old fridges and freezers contain isolation material and refrigerant with CFC. Therefore, take care not to harm environment when you are discarding your old fridges.

### CE Declaration of conformity

We declare that our products meet the applicable European Directives, Decisions and Regulations and the requirements listed in the standards referenced.

### Disposal of your old appliance

The symbol on the product or on its packaging indicates that this product may not be treated as household waste. Instead it shall be handed over to the applicable collection point for the recycling of electrical and electronic equipment. By ensuring this product is disposed of correctly, you will help prevent potential negative consequences for the environment and human health, which could otherwise be caused by inappropriate waste handling of this product. For more detailed information about recycling of this product, please contact your local city office, your household waste disposal service or the shop where you purchased the product.



### Packaging and the Environment

Packaging materials protect your machine from damage that may occur during transportation.



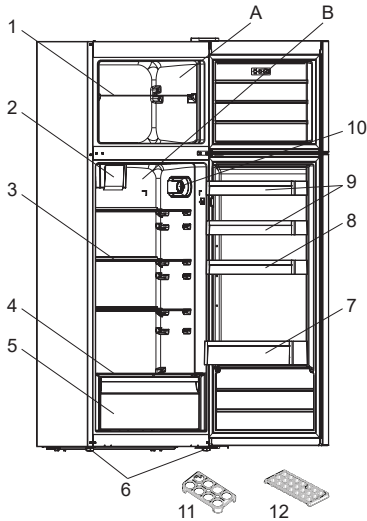
The packaging materials are environmentally friendly as they are recyclable. The use of recycled material reduces raw material consumption and therefore decreases waste production.


### Notes:

- Please read the instruction manual carefully before installing and using your appliance. We are not responsible for the damage occurred due to misuse.
- Follow all instructions on your appliance and instruction manual, and keep this manual in a safe place to resolve the problems that may occur in the future.
- This appliance is produced to be used in homes and it can only be used in domestic environments and for the specified purposes. It is not suitable for commercial or common use. Such use will cause the guarantee of the appliance to be cancelled and our company will not be responsible for **any losses incurred**.
- This appliance is produced to be used in houses and it is only suitable for cooling / storing foods. It is not suitable for commercial or common use and/or for storing substances except for food. Our company is not responsible for **any losses incurred by inappropriate usage of the appliance**.

## 2 DESCRIPTION OF THE APPLIANCE

This appliance is not intended to be used as a built-in appliance.



 This presentation is only for information about the parts of the appliance. Parts may vary according to the appliance model.

- A) Freezer compartment
- B) Refrigerator compartment
- 1) Freezer shelf
- 2) Turbo fan \*
- 3) Refrigerator shelves
- 4) Crisper cover
- 5) Crisper
- 6) Levelling feet
- 7) Bottle shelf
- 8) Adjustable door shelf \* / door shelf
- 9) Door shelves
- 10) Thermostat box
- 11) Egg holder
- 12) Ice box tray

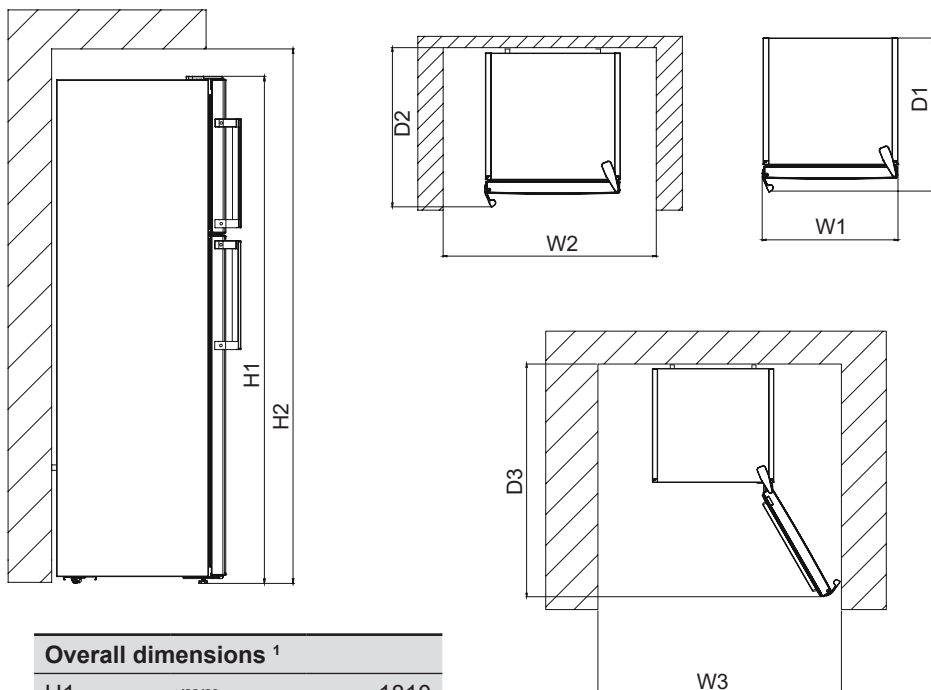
\* In some models

### General notes:

**Fresh Food Compartment (Fridge):** Most efficient use of energy is ensured in the configuration with the drawers in the bottom part of the appliance, and shelves evenly distributed, position of door bins does not affect energy consumption.

**Freezer Compartment (Freezer):** Most Efficient use of energy is ensured in the configuration with the drawers and bins are on stock position.

## Dimensions



Overall dimensions <sup>1</sup>		
H1	mm	1810
W1	mm	595
D1	mm	660,5

Space required in use <sup>2</sup>		
H2	mm	1960
W2	mm	695
D2	mm	700,5

Overall space required in use <sup>3</sup>		
W3	mm	990
D3	mm	1193,5

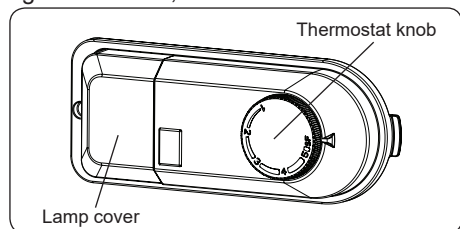
## 3 USING THE APPLIANCE

### 3.1 Information on Less Frost Technology

Thanks to the wrap around evaporator, Less Frost technology offers more efficient cooling, less manual defrost requirement, and more flexible storage room.


### 3.2 Thermostat Setting

The thermostat automatically regulates the temperature inside the refrigerator and freezer compartments. Cooler temperatures can be obtained by rotating the knob to higher numbers, 1 to 5 **and SF**.



### Thermostat Settings

- Set the knob to a low/medium position, up to 3, for short-term storage of food in the appliance.
- Set the knob to a medium position, 3 or 4, for long-term storage of food in the appliance.
- **Set the knob to 5 for frequent use of fresh food and freezer compartments in hot ambient temperatures.**
- **Turn the knob to SF to freeze fresh food quickly. In this position, the freezer compartment will operate at lower temperatures. After your food freezes, turn the thermostat knob to its normal use position. If you do not change the SF position, your appliance work will automatically return to its last used thermostat position after 48 hours. Return the thermostat switch to the SF position and return it to normal use 48 hours later.**

 **Important note:** If the thermostat switch is in the SF position when your appliance is first started, your appliance work will automatically return to the operation in the thermostat-3 position 48 hours later after starting.

### 3.3 Temperature Settings Warnings

- The ambient temperature, temperature of the freshly stored food and how often the door is opened affects the temperature in the refrigerator compartment. If required, change the temperature setting.
- It is not recommended that you operate your fridge in environments colder than 10°C in terms of its efficiency.
- When setting the thermostat, take into consideration how often the appliance doors are opened and closed, how much food is stored in the refrigerator, and the environment in which the refrigerator is located.
- When the appliance is first switched on, allow it to run for 24 hours in order to reach operating temperature. During this time, do not open the door and do not keep a large quantity of food inside.
- Unplug your appliance during a power cut to prevent damage to the compressor. Once power is restored, delay plugging in your appliance for 5 to 10 minutes. This will help prevent damage to the appliance's components.
- Your appliance is designed to operate in the ambient temperature ranges stated in the standards, according to the climate class stated in the information label. It is not recommended that your fridge is operated in the environments which are outside of the stated temperature ranges. This will reduce the cooling efficiency of the appliance.

- Your appliance is designed to operate in the ambient temperature (N = 16°C - 32°C) intervals stated in the standards, according to the climate class displayed on the information label. We do not recommend operating your appliance out of the stated temperature limits in terms of cooling effectiveness.

**Climate class and meaning:**

**T (tropical):** This refrigerating appliance is intended to be used at ambient temperatures ranging from 16 °C to 43 °C.

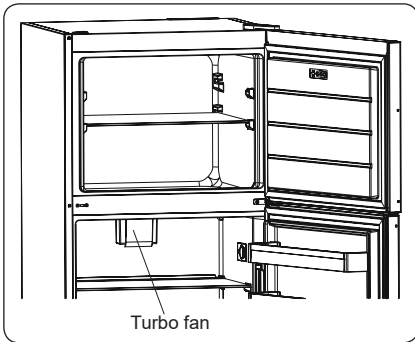
**ST (subtropical):** This refrigerating appliance is intended to be used at ambient temperatures ranging from 16 °C to 38 °C.

**N (temperate):** This refrigerating appliance is intended to be used at ambient temperatures ranging from 16 °C to 32 °C.

**SN (extended temperate):** This refrigerating appliance is intended to be used at ambient temperatures ranging from 10 °C to 32 °C.

**The Turbo Fan (if available)**

Do not block the air inlet and outlet openings when storing food, otherwise air circulation provided by the turbo fan will be impaired.

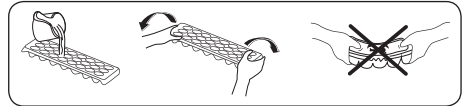


**3.4 Accessories**

**Visual and text descriptions in the accessories section may vary according to the model of your appliance.**

**3.4.1 Ice Tray**

- Fill the ice tray with water and place in the freezer compartment.
- After the water has completely frozen, you can twist the tray as shown below to remove the ice cubes.



**3.4.2 Adjustable Door Shelf (In some models)**

Six different height adjustments can be made to provide storage areas that you need by adjustable door shelf.

To change the position of adjustable door shelf ;

Hold the bottom of the shelf and pull the buttons on the side of the door shelf direction of arrow.

(Fig.1)

Position door shelf the height you need by moving up and down. After you get the position that you want the door shelf, release the buttons on the side of the door shelf (Fig.2) Before releasing the door shelf, move up down and make sure the door shelf is fixed.

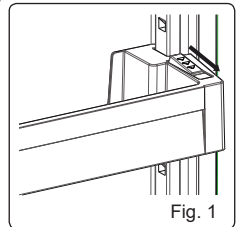


Fig. 1

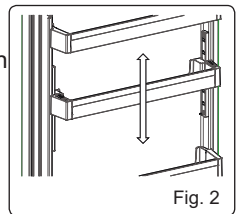


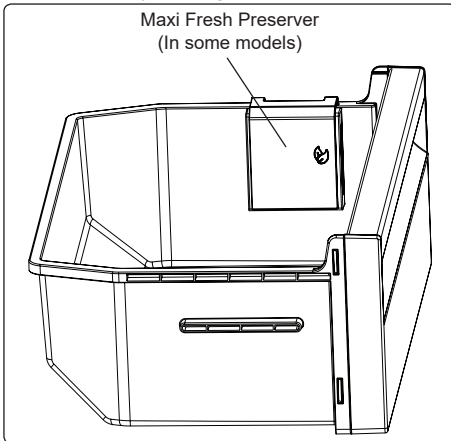
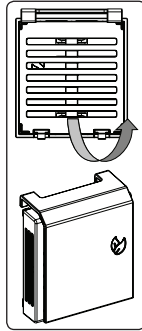
Fig. 2

**Note:** Before moving door shelf is loaded, you must hold the shelf by supporting the bottom. Otherwise, door shelf could fall off the rails due to the weight. So damage may occur on the door shelf or rails.

### 3.4.3 Maxi-fresh preserver (If available)

Maxi Fresh Preserver technology helps to remove ethylene gas (a bioproduct released naturally from fresh foods) and unpleasant odors from the crisper. In this way, food stays fresh for a longer time.

- Maxi Fresh Preserver must be cleaned once in a year. The filter should be waited for 2 hours at 65°C in a oven.
- To clean the filter, please remove the back cover of the filter box by pulling it in the direction of the arrow.
- The filter should not be washed with water or any detergent.




## 4 FOOD STORAGE

### 4.1 Refrigerator Compartment

- To reduce humidity and avoid the consequent formation of frost, always store liquids in sealed containers in the refrigerator. Frost tends to concentrate in the coldest parts of the evaporating liquid and, in time, your appliance will require more frequent defrosting.
- Never place warm food in the refrigerator. Warm food should be allowed to cool at room temperature and should be arranged to ensure adequate air circulation in the refrigerator compartment.
- Make sure no items are in direct contact with the rear wall of the appliance as frost will develop and packaging will stick to it. Do not open the refrigerator door frequently.
- We recommend that meat and clean fish are loosely wrapped and stored on the glass shelf just above the vegetable bin where the air is cooler, as this provides the best storage conditions.
- Store loose fruit and vegetable items in the crisper containers.
- Store loose fruit and vegetables in the crisper.
- Storing fruit and vegetables separately helps prevent ethylene-sensitive vegetables (green leaves, broccoli, carrot, etc.) being affected by ethylene-releaser fruits (banana, peach, apricot, fig etc.).
- Do not put wet vegetables into the refrigerator.
- Storage time for all food products depends on the initial quality of the food and an uninterrupted refrigeration cycle before refrigerator storage.
- To avoid cross-contamination do not store meat products with fruit and vegetables. Water leaking from meat may contaminate other products in the refrigerator. You should package meat

products and clean any leakages on the shelves.

- Do not put food in front of the air flow passage.
- Consume packaged foods before the recommended expiry date.

 **NOTE:** Potatoes, onions and garlic should not be stored in the refrigerator.

- For normal working conditions, it will be sufficient to adjust the temperature setting of your refrigerator to +4 °C.
- The temperature of the fridge compartment should be in the range of 0-8 °C, fresh foods below 0 °C are iced and rotted, bacterial load increases above 8 °C, and spoils.
- Do not put hot food in the refrigerator immediately, wait for the temperature to pass outside. Hot foods increase the degree of your refrigerator and cause food poisoning and unnecessary spoiling of the food.
- Meat, fish, etc. should be store in the chiller compartment of the food, and the vegetable compartment is preferred for vegetables. (if available)
- To prevent cross contamination, meat products and fruit vegetables are not stored together.
- Foods should be placed in the refrigerator in closed containers or covered to prevent moisture and odors.

The table below is a quick guide to show you the most efficient way to store the major food groups in your refrigerator compartment.

Food	Maximum storage time	How and where to store
Vegetables and fruits	1 week	Vegetable bin
Meat and fish	2 - 3 days	Wrap in plastic foil, bags, or in a meat container and store on the glass shelf
Fresh cheese	3 - 4 days	On the designated door shelf
Butter and margarine	1 week	On the designated door shelf

Food	Maximum storage time	How and where to store
Bottled products e.g. milk and yoghurt	Until the expiry date recommended by the producer	On the designated door shelf
Eggs	1 month	On the designated egg shelf
Cooked food	2 days	All shelves

## 4.2 Freezer Compartment

- The freezer is used for storing frozen food, freezing fresh food, and making ice cubes.
- For freezing fresh food; wrap and seal fresh food properly, that is the packaging should be air tight and shouldn't leak. Special freezer bags, aluminum foil polythene bags and plastic containers are ideal.
- Do not store fresh food next to frozen food as it can thaw the frozen food.
- Before freezing fresh food, divide it into portions that can be consumed in one sitting.
- Consume thawed frozen food within a short period of time after defrosting
- Never place warm food in the freezer compartment as it will thaw the frozen food.
- Always follow the manufacturer's instructions on food packaging when storing frozen food. If no information is provided food, should not be stored for more than 3 months from the date of purchase.
- When purchasing frozen food, make sure that it has been stored under appropriate conditions and that the packaging is not damaged.
- Frozen food should be transported in appropriate containers and placed in the freezer as soon as possible.
- Do not purchase frozen food if the packaging shows signs of humidity and abnormal swelling. It is probable that it has been stored at an unsuitable

temperature and that the contents have deteriorated.

- The storage life of frozen food depends on the room temperature, the thermostat setting, how often the door is opened, the type of food, and the length of time required to transport the product from the shop to your home. Always follow the instructions printed on the packaging and never exceed the maximum storage life indicated.
- The maximum amount of fresh food (in kg) that can be frozen in 24 hours is indicated on the appliance label.
- To freeze fresh food, ensure that as much of the surface of the food as possible is in contact with the cooling surface.

**NOTE:** If you attempt to open the freezer door immediately after closing it, you will find that it will not open easily. This is normal. Once equilibrium has been reached, the door will open easily.


**Important note:**

- Never refreeze thawed frozen food.
- The taste of some spices found in cooked dishes (anise, basilica, watercress, vinegar, assorted spices, ginger, garlic, onion, mustard, thyme, marjoram, black pepper, etc.) changes and they assume a strong taste when they are stored for a long period of time. Therefore, add small amounts of spices to food to be frozen, or the desired spice should be added after the food has thawed.
- The storage time of food is dependent on the type of oil used. Suitable oils are margarine, calf fat, olive oil and butter. Unsuitable oils are peanut oil and pig fat.
- Food in liquid form should be frozen in plastic cups and other food should be frozen in plastic folios or bags.





The table below is a quick guide to show you the most efficient way to store the major food groups in your freezer compartment.

Meat and fish	Preparation	Maximum storage time (months)
<b>Steak</b>	Wrap in foil	6 - 8
<b>Lamb meat</b>	Wrap in foil	6 - 8
<b>Veal roast</b>	Wrap in foil	6 - 8
<b>Veal cubes</b>	In small pieces	6 - 8
<b>Lamb cubes</b>	In pieces	4 - 8
<b>Minced meat</b>	In packaging without using spices	1 - 3
<b>Giblets (pieces)</b>	In pieces	1 - 3
<b>Bologna sausage/salami</b>	Should be kept packaged even if it has a membrane	
<b>Chicken and turkey</b>	Wrap in foil	4 - 6
<b>Goose and duck</b>	Wrap in foil	4 - 6
<b>Deer, rabbit, wild boar</b>	In 2.5 kg portions or as fillets	6 - 8
<b>Freshwater fish (Salmon, Carp, Crane, Catfish)</b>	After cleaning the bowels and scales of the fish, wash and dry it. If necessary, remove the tail and head.	2
<b>Lean fish (Bass, Turbot, Flounder)</b>		4
<b>Fatty fishes (Tuna, Mackerel, Bluefish, Anchovy)</b>		2 - 4
<b>Shellfish</b>	Clean and in a bag	4 - 6
<b>Caviar</b>	In its packaging, or in an aluminium or plastic container	2 - 3
<b>Snails</b>	In salty water, or in an aluminium or plastic container	3
 <b>NOTE:</b>	Thawed frozen meat should be cooked as fresh meat. If the meat is not cooked after defrosting, it must not be re-frozen.	




Vegetables and Fruits	Preparation	Maximum storage time (months)
<b>String beans and beans</b>	Wash, cut into small pieces and boil in water	10 - 13
<b>Beans</b>	Hull, wash and boil in water	12
<b>Cabbage</b>	Clean and boil in water	6 - 8
<b>Carrot</b>	Clean, cut into slices and boil in water	12
<b>Pepper</b>	Cut the stem, cut into two pieces, remove the core and boil in water	8 - 10
<b>Spinach</b>	Wash and boil in water	6 - 9
<b>Cauliflower</b>	Remove the leaves, cut the heart into pieces and leave it in water with a little lemon juice for a while	10 - 12
<b>Eggplant</b>	Cut into pieces of 2cm after washing	10 - 12
<b>Corn</b>	Clean and pack with its stem or as sweet corn	12
<b>Apple and pear</b>	Peel and slice	8 - 10
<b>Apricot and Peach</b>	Cut into two pieces and remove the stone	4 - 6

Vegetables and Fruits	Preparation	Maximum storage time (months)
Strawberry and Blackberry	Wash and hull	8 - 12
Cooked fruits	Add 10 % of sugar to the container	12
Plum, cherry, sourberry	Wash and hull the stems	8 - 12

	Maximum storage time (months)	Thawing time at room temperature (hours)	Thawing time in oven (minutes)
Bread	4 - 6	2 - 3	4-5 (220-225 °C)
Biscuits	3 - 6	1 - 1,5	5-8 (190-200 °C)
Pastry	1 - 3	2 - 3	5-10 (200-225 °C)
Pie	1 - 1,5	3 - 4	5-8 (190-200 °C)
Phyllo dough	2 - 3	1 - 1,5	5-8 (190-200 °C)
Pizza	2 - 3	2 - 4	15-20 (200 °C)

Dairy products	Preparation	Maximum storage time (months)	Storage conditions
Packet (Homogenized) Milk	In its own packet	2 - 3	Pure Milk – in its own packet
Cheese - excluding white cheese	In slices	6 - 8	Original packaging may be used for short-term storage. Keep wrapped in foil for longer periods.
Butter, margarine	In its packaging	6	

## 5 CLEANING AND MAINTENANCE

-  Disconnect the unit from the power supply before cleaning.
-  Do not wash your appliance by pouring water on it.
-  Do not use abrasive products, detergents or soaps for cleaning the appliance. After washing, rinse with clean water and dry carefully. When you have finished cleaning, reconnect the plug to the mains supply with dry hands.
- Make sure that no water enters the lamp housing and other electrical components.
- The appliance should be cleaned regularly using a solution of bicarbonate of soda and lukewarm water.
- Clean the accessories separately by hand with soap and water. Do not wash accessories in a dish washer.

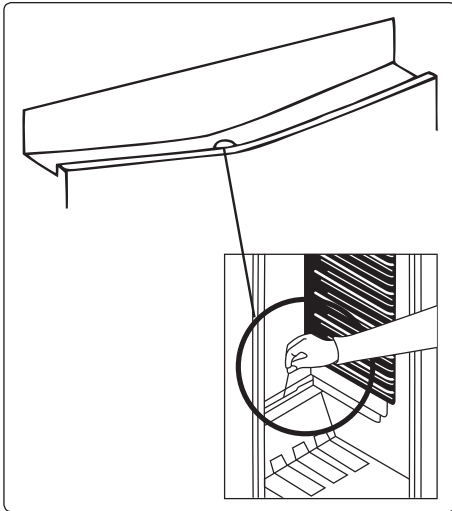
- Clean the condenser with a brush at least twice a year. This will help you to save on energy costs and increase productivity.



 **The power supply must be disconnected during cleaning.**

## 5.1 Defrosting

### Defrosting the Refrigerator Compartment



- Defrosting occurs automatically in the refrigerator compartment during operation. The water is collected by the evaporation tray and evaporates automatically.
- The evaporation tray and the water drain hole should be cleaned periodically with the defrost drain plug to prevent the water from collecting at the bottom of the refrigerator instead of flowing out.
- You can also clean the drain hole by pouring half a glass of water down it.

### Defrosting the Freezer Compartment

Frost accumulated in the freezer compartment should be removed regularly (using the plastic scraper provided). The freezer compartment should be cleaned in the same way as the refrigerator compartment, with the defrost function, at least twice a year.


#### For this:

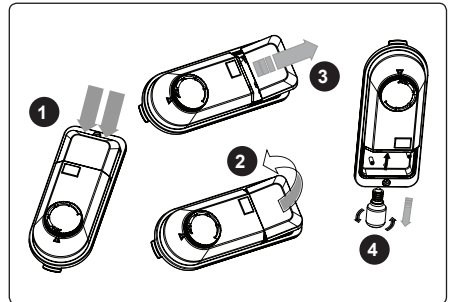
- The day before you defrost, set the thermostat dial to position "5" to freeze food completely.
- During defrosting, frozen food should be wrapped in several layers of paper and kept in a cool place. The inevitable

rise in temperature will shorten its storage life. Remember to use this food within a relatively short period of time.

- Set the thermostat knob to position "•" and disconnect the appliance from the mains. Leave the door open until the unit is completely defrosted.
- To accelerate the defrosting process, place one or more bowls of warm water in the freezer compartment.
- Dry the inside of the unit carefully and set the thermostat knob to the MAX position.


## 5.2 Replacing the Light Bulb

 **Important note:** Unplug the unit from the power supply before start the process.



1. Press the hooks on light cover. (Fig. 1)
2. Open the light cover towards arrow when top hooks pull out from housing. (Fig. 2)
3. Pull out the cover towards arrow remove it. (Fig. 3)
4. Turn the light bulb counter clockwise and remove it. (Fig. 4)
5. Change the present light bulb with a new one of not more than 15 W. (Fig. 4)
6. Implement the steps in reverse order.
7. After waiting 5 minutes, plug the unit.


### Replacing LED Lighting

 If your appliance has LED lighting contact the help desk as this should be changed by authorized personnel only.

## 6 SHIPMENT AND REPOSITIONING

### 6.1 Transportation and Changing Positioning

- The original packaging and foam may be kept for re-transportation (optional).
- Fasten your appliance with thick packaging, bands or strong cords and follow the instructions for transportation on the packaging.
- Remove all movable parts (shelves, accessories, vegetable bins, and so on) or fix them into the appliance against shocks using bands when re-positioning or transporting.

 Always carry your appliance in the upright position.

### 6.2 Repositioning the Door

- It is not possible to change the opening direction of your appliance door if door handles are installed on the front surface of the appliance door.
- It is possible to change the opening direction of the door on models without handles.
- If the door-opening direction of your appliance can be changed, contact the nearest Authorised Service Centre to change the opening direction.

## 7 BEFORE CALLING AFTER-SALES SERVICE

If your refrigerator is not working properly, there may be a minor problem. Check the following.

### The appliance does not operate

#### Check if:

- There is power
- The mains is connected
- The thermostat setting is on the “•” position
- The socket is defective. To check this, plug another working appliance into the same socket.

### The appliance performs poorly

#### Check if:

- The appliance is overloaded
- The doors are closed properly
- There is any dust on the condenser
- There is enough space near the rear and side walls.

### The appliance is noisy

The cooling gas which circulates in the refrigerator circuit may make a slight noise (bubbling sound) even when the compressor is not running. Do not worry, this is normal. If you hear a different sound, check whether:

- The appliance is level
- Anything is touching the rear of the appliance
- Objects in the appliance are vibrating.

### Your refrigerator is operating noisily

The following noises can be heard during normal operation of the appliance.

#### Cracking (ice cracking) noise occurs:

- During automatic defrosting.
- When the appliance is cooled or warmed (due to expansion of appliance material).

**Clicking noise occurs:** When the thermostat switches the compressor on/off.

**Motor noise:** Indicates the compressor is operating normally. The compressor

may cause more noise for a short time when it is first activated.

### **Bubbling noise and splashing**

**occurs:** Due to the flow of the refrigerant in the tubes of the system.

**Water flowing noise occurs:** Due to water flowing to the evaporation container. This noise is normal during defrosting.

### **There is water in the lower part of the refrigerator**

#### **Check if:**

The drain hole for the water is not clogged (use defrost drain plug to clean the drain hole).

#### **Recommendations**

- If the appliance is switched off or unplugged, wait at least 5 minutes before plugging the appliance in or restarting it in order to prevent damage to the compressor.
- The cooling unit of your refrigerator is located at the rear of the appliance. Therefore, water droplets or ice may form on the rear surface of your fridge due to the operation of the compressor at specified intervals. This is normal, there is no need to perform a defrosting operation unless there is excessive ice.
- If you do not intend to use your fridge for a long period of time (such as during the summer holidays), set the thermostat to “\*” position, defrost and clean your fridge, leaving the door open to prevent the formation of mildew and odour.
- If a problem persists after you have followed all the above instructions, please consult the nearest authorised service centre.
- The appliance you have purchased is designed for domestic use only. It is not suitable for commercial or common use. If the consumer uses the appliance in a way that does not comply with this, we emphasise that the manufacturer and the dealer will not be responsible for any repair and failure within the guarantee period.

## **8 TIPS FOR SAVING ENERGY**

1. Install the appliance in a cool, well-ventilated room, but not in direct sunlight and not near a heat source (such as a radiator or oven) otherwise an insulating plate should be used.
2. Allow warm food and drinks to cool before placing them inside the appliance.
3. Place thawing food in the refrigerator compartment. The low temperature of the frozen food will help cool the refrigerator compartment while the food is thawing. This will save energy. Frozen food left to thaw outside of the appliance will result in a waste of energy.
4. Drinks or other liquids should be covered when inside the appliance. If left uncovered, the humidity inside the appliance will increase, therefore the appliance uses more energy. Keeping drinks and other liquids covered helps preserve their smell and taste.
5. Avoid keeping the doors open for long periods and opening the doors too frequently as warm air will enter the appliance and cause the compressor to switch on unnecessarily often.
6. Keep the covers of the different temperature compartments (such as the crisper and chiller) closed.
7. The door gasket must be clean and pliable. **In case of wear, replace the gasket.**
8. It is possible to store more food by removing freezer shelf. Energy consumption is declared with maximum load and without freezer shelf.

## 9 TECHNICAL DATA

The technical information is situated in the rating plate on the internal side of the appliance and on the energy label.

The QR code on the energy label supplied with the appliance provides a web link to the information related to the performance of the appliance in the EU EPREL database.

Keep the energy label for reference together with the user manual and all other documents provided with this appliance.

It is also possible to find the same information in EPREL using the link <https://eprel.ec.europa.eu> and the model name and product number that you find on the rating plate of the appliance.

See the link [www.theenergylabel.eu](http://www.theenergylabel.eu) for detailed information about the energy label.

## 10 INFORMATION FOR TEST INSTITUTES

Appliance for any EcoDesign verification shall be compliant with EN 62552.

Ventilation requirements, recess dimensions and minimum rear clearances shall be as stated in this User Manual at **Chapter 2**. Please contact the manufacturer for any other further information, including loading plans.

## 11 CUSTOMER CARE AND SERVICE

Always use original spare parts.

When contacting our Authorised Service Centre, ensure that you have the following data available: Model, Serial Number and Service Index.

The information can be found on the rating plate. Subject to change without notice.



The original spare parts for some specific components are available for a minimum of 7 or 10 years, based on the type of component, from the placing on the market of the last unit of the model.

Visit our website to:  
[www.vestel.com](http://www.vestel.com)

## Gracias por elegir este producto.

Este Manual de usuario contiene información de seguridad e instrucciones importantes relacionadas con el uso y mantenimiento del aparato.

Tómese el tiempo que necesite para leer este Manual de usuario antes de usar el aparato y guárdelo por si tuviese que consultarlo más adelante.

Icono	Tipo	Significado
	ADVERTENCIA	Riesgo de lesión grave o muerte
	RIESGO DE DESCARGA ELÉCTRICA	Riesgo de voltaje peligroso
	INCENDIO	Advertencia; Riesgo de incendio / materiales inflamables
	PRECAUCIÓN	Riesgo de lesiones o daños materiales
	IMPORTANTE / NOTA	Uso correcto del sistema



# ÍNDICE

<b>1 INSTRUCCIONES DE SEGURIDAD</b> .....	<b>26</b>
1.1 Advertencias de seguridad general .....	26
1.2 Advertencias para la instalación .....	30
1.3 Durante el uso .....	31
<b>2 DESCRIPCIÓN DEL APARATO</b> .....	<b>32</b>
<b>3 USO DEL APARATO</b> .....	<b>34</b>
3.1 Información sobre la tecnología "Less Frost" .....	34
3.2 Ajuste del Termostato .....	34
3.3 Advertencias de ajustes de temperatura .....	34
3.4 Accesorios .....	35
3.4.1 Cubitera .....	35
3.4.2 Estante de puerta regulable ( <i>En algunos modelos</i> ) .....	<b>36</b>
3.4.3 Dispositivo de preservación de máxima frescura ( <i>En algunos modelos</i> ) .....	<b>36</b>
<b>4 ALMACENAMIENTO DE ALIMENTOS</b> .....	<b>37</b>
4.1 Compartimento de refrigerador .....	37
4.2 Compartimento del congelador .....	38
<b>5 LIMPIEZA Y MANTENIMIENTO</b> .....	<b>41</b>
5.1 Descongelación .....	41
5.2 Cambio de la bombilla .....	42
<b>6 TRANSPORTE Y REUBICACIÓN</b> .....	<b>43</b>
6.1 Transporte y reubicación .....	43
6.2 Reinstalación de la puerta .....	43
<b>7 ANTES DE LLAMAR AL SERVICIO DE POSVENTA</b> .....	<b>43</b>
<b>8 CONSEJOS PARA AHORRAR ELECTRICIDAD</b> .....	<b>44</b>
<b>9 DATOS TÉCNICOS</b> .....	<b>45</b>
<b>10 INFORMACIÓN PARA LOS INSTITUTOS DE PRUEBAS</b> .....	<b>45</b>
<b>11 INFORMACIÓN PARA EL USUARIO</b> .....	<b>45</b>

# 1 INSTRUCCIONES DE SEGURIDAD

## 1.1 Advertencias de seguridad general

**Lea detenidamente este manual de usuario.**

**⚠ ADVERTENCIA:** Mantenga libres de obstrucciones las aperturas de ventilación del receptáculo de la nevera o de la estructura integrada.

**⚠ ADVERTENCIA:** No utilice dispositivos mecánicos ni otros medios para acelerar el proceso de descongelación, salvo los recomendados por el fabricante.

**⚠ ADVERTENCIA:** No utilice aparatos eléctricos dentro de los compartimentos de la nevera en los que se guardan alimentos, salvo que sean del tipo recomendado por el fabricante.

**⚠ ADVERTENCIA:** Evite dañar el circuito refrigerante.

**⚠ ADVERTENCIA:** Para evitar que la inestabilidad del aparato dé lugar a algún tipo de peligro, debe fijarse conforme a las instrucciones.

**⚠** Si el aparato usa refrigerante de tipo R600a (esta información se muestra en la etiqueta del refrigerador), debe tener cuidado durante el transporte y la instalación para evitar que se dañen los elementos del refrigerador. R600a es un gas natural y respetuoso con el medioambiente, pero es explosivo. Si se dañan los elementos del refrigerador y como consecuencia se produce una fuga, aleje el aparato

de llamas abiertas o fuentes de calor y ventile unos minutos la habitación en la que se encuentra la nevera.

- Durante el transporte y la colocación del aparato, evite dañar el circuito de gas del refrigerador.
- No almacene en este aparato sustancias explosivas, como latas de aerosol con propulsor inflamable.
- Este aparato ha sido diseñada para ser utilizado en aplicaciones domésticas, como:
  - Cocinas para personal de tiendas, oficinas y otros entornos de trabajo.
  - Casas rústicas y habitaciones para clientes de hoteles, moteles y otros entornos de tipo residencial.
  - Establecimientos de tipo “Bed & Breakfast”.
  - Aplicaciones minoristas de catering y similares.
- Para evitar peligros, si la toma eléctrica no fuese compatible con el enchufe, deberá cambiarla el fabricante, un agente de servicio o una persona con una cualificación equivalente.
- El cable de alimentación del refrigerador dispone de un enchufe con conexión a tierra especial. Este enchufe debe usarse con una toma con conexión a tierra especial de 16 amperios. Si su vivienda no dispone de una toma de estas características, contrate a un electricista homologado para que instale una.

- Esta nevera la pueden usar niños de al menos 8 años de edad y personas con capacidades físicas, sensoriales o mentales reducidas o con falta de experiencia y conocimientos siempre que hayan recibido la supervisión o instrucciones necesarias con respecto al uso de la nevera de forma segura y comprendan los riesgos asociados. Los niños no deben jugar con este aparato. Ningún niño debe realizar la limpieza ni el mantenimiento de usuario de este aparato sin supervisión.
- Los niños de 3 a 8 años pueden cargar y descargar aparatos frigoríficos. No se espera que los niños realicen la limpieza o el mantenimiento del aparato, no se espera que los niños muy pequeños (0-3 años) usen los aparatos, no se espera que los niños pequeños (3-8 años) usen los aparatos de manera segura a menos que se les brinde supervisión continua, los niños mayores (8-14 años) y las personas vulnerables pueden usar los aparatos de manera segura después de que se les haya dado la supervisión o instrucción apropiada con respecto al uso del aparato. No se espera que las personas muy vulnerables usen los aparatos de manera segura a menos que reciban supervisión continua.
- Si el cable de alimentación está dañado, debe cambiarlo el fabricante, un agente de servicio autorizado o una persona con una cualificación equivalente a fin de evitar peligros.

- Esta nevera no ha sido diseñada para ser utilizada a una altitud superior a 2000 m.

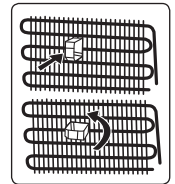
**Para evitar la contaminación de los alimentos, por favor respete las siguientes instrucciones:**

- La apertura de la puerta durante largos períodos de tiempo puede provocar un aumento significativo de la temperatura en los compartimentos del aparato.
- Limpie regularmente las superficies que puedan entrar en contacto con los alimentos y los sistemas de drenaje accesibles.
- Almacene la carne y el pescado crudos en recipientes adecuados en el frigorífico, de modo que no estén en contacto con otros alimentos ni goteen sobre ellos.
- Los compartimentos de dos estrellas para alimentos congelados son adecuados para almacenar alimentos pre-congelados, almacenar o hacer helados y hacer cubitos de hielo.
- Los compartimentos de una, dos y tres estrellas no son adecuados para la congelación de alimentos frescos.
- Si el aparato frigorífico se deja vacío durante mucho tiempo, apáguelo, descongélelo, límpielo, séquelo y deje la puerta abierta para evitar que se desarrolle moho dentro del aparato.

## 1.2 Advertencias para la instalación

Antes de utilizar el refrigerador-congelador por primera vez, preste atención a las siguientes cuestiones:

- El voltaje de funcionamiento del refrigerador-congelador es de 220-240 V a 50 Hz.
- El enchufe debe quedar accesible tras la instalación.
- Puede que el refrigerador-congelador emita cierto olor cuando se utilice por primera vez. Este olor es normal y desaparecerá cuando el refrigerador-congelador comience a enfriarse.
- Antes de conectar el refrigerador-congelador, asegúrese de que la información que se muestra en la placa de características (voltaje y carga conectada) concuerde con las características del suministro eléctrico. Si tiene alguna duda, póngase en contacto con un electricista cualificado.
- Inserte el enchufe en una toma eléctrica que disponga de una conexión a tierra eficaz. Si la toma eléctrica no tiene toma a tierra o el enchufe no es compatible con la toma eléctrica, le recomendamos que se ponga en contacto con un electricista cualificado.
- El aparato debe conectarse a una toma eléctrica con fusible debidamente instalada. El suministro eléctrico (CA) y el voltaje del lugar en el que se vaya a colocar el aparato deben coincidir con los datos que se muestran en la placa de características del propio aparato, que se encuentra en su lateral interior izquierdo.
- No nos hacemos responsables de los daños que se produzcan al conectar el aparato sin conexión a tierra.
- No coloque el refrigerador-congelador en un lugar en el que esté expuesto a la luz directa del sol.
- El refrigerador-congelador no se debe usar nunca en exteriores ni en un lugar en el que esté expuesto a la lluvia.
- El aparato debe estar separado como mínimo 50 cm de cocinas, hornos de gas y radiadores y 5 cm de hornos eléctricos.
- Si coloca el refrigerador-congelador junto a un congelador de baja temperatura, debe estar separado de él al menos 2 cm para evitar que se forme humedad en la superficie exterior.
- No cubra el cuerpo ni la parte superior del refrigerador-congelador con encaje. Esto afecta al rendimiento del refrigerador-congelador.
- En la parte superior de la nevera debe haber un espacio de al menos 150 mm. No coloque nada sobre la nevera.
- No coloque objetos pesados sobre la nevera.
- Limpie a conciencia la nevera antes de usarla (consulte la sección de Limpieza y mantenimiento).
- Antes de usar el refrigerador-congelador, limpie todas sus piezas con una solución de agua caliente y una cucharilla de bicarbonato de sodio. A continuación, límpielas con agua limpia y séquelas. Tras limpiar las diferentes piezas, vuelva a colocarlas en el refrigerador-congelador.
- Utilice las patas delanteras regulables para asegurarse de que el aparato esté nivelado y en una posición estable. Puede ajustar las patas girándolas en cualquiera de las dos direcciones. Esto debe hacerse antes de meter alimentos en el aparato.
- Instale el separador de plástico (la pieza con paletas negras que se encuentra en la parte trasera) girándolo 90 ° (tal como se muestra en la figura) para evitar que el condensador toque la pared.
- La distancia entre el aparato y la pared debe ser de 75 mm como máximo.



### 1.3 Durante el uso

- No utilice un alargador para conectar el refrigerador-congelador a la red eléctrica.
- No utilice enchufes dañados, desgastados o viejos.
- No tuerza o dañe el cable ni tire de él.
- Este aparato ha sido diseñado para que lo usen personas adultas. No deje que ningún niño juegue con el aparato o que se cuelgue de la puerta.
- No toque nunca el enchufe/cable de alimentación con las manos mojadas. De hacerlo, podría producirse un cortocircuito o una descarga eléctrica.
- No coloque latas ni botellas de cristal en el compartimento donde se hacen los cubitos de hielo, ya que podrían explotar al congelarse su contenido.
- No coloque materiales explosivos o inflamables dentro de la nevera. Las bebidas con alto contenido de alcohol deben colocarse verticalmente en el compartimento del refrigerador y asegurarse de que estén muy bien cerradas.
- No toque los cubitos de hielo al sacarlos del compartimento donde se hacen. El hielo podría ocasionar quemaduras por frío y cortes.
- No toque los productos congelados con las manos mojadas. No coma helado ni cubitos de hielo justo después de sacarlos del compartimento donde se hacen los cubitos de hielo.
- No vuelva a congelar alimentos que ya se han descongelado. Esto podría ocasionar problemas de salud, como una intoxicación alimentaria.

#### **Aparatos antiguos y fuera de servicio**

- Si su antiguo frigorífico o congelador tiene un candado, rómpalo o quítelo antes de desecharlo, dado que se podría quedar atrapado en su interior un niño y producir un accidente.
- Las neveras y los congeladores antiguos contienen material de aislamiento y refrigerante con CFC. Por lo tanto, evite

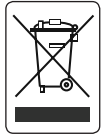
dañar el medioambiente al desechar un antiguo frigorífico.

#### **Declaración de conformidad de la CE**

Declaramos que nuestros productos cumplen con las Directivas, Decisiones y Normativas europeas pertinentes y con los requisitos enumerados en los estándares mencionados.

#### **Desecho del antiguo aparato**

El símbolo que se muestra sobre el producto o su embalaje indica que este producto no se puede tratar como residuo doméstico. En su lugar, debe llevarse al punto de recogida pertinente para el reciclado de equipos eléctricos y electrónicos. Asegúrese de que este producto sea desechado debidamente para evitar que se puedan producir daños en el medioambiente y la salud de las personas. Si desea obtener información detallada sobre el reciclaje de este producto, póngase en contacto con su oficina municipal, el servicio de desecho de residuos domésticos o la tienda en la que adquirió el producto.



#### **El embalaje y el medio ambiente**

Los materiales de embalaje protegen su máquina de los daños que puedan ocasionarse durante el transporte. Los materiales de embalaje son respetuosos con el medio ambiente, ya que son reciclables. El uso de material reciclado reduce el consumo de materias primas y, por lo tanto, la producción de residuos.



#### **Notas:**

- Lea detenidamente el manual de instrucciones antes de instalar y usar el aparato. No somos responsables de los daños que se produzcan como consecuencia de un uso indebido.
- Siga todas las instrucciones del aparato y del manual de instrucciones y guarde este manual en un lugar seguro para resolver cualquier tipo de problema que pueda producirse en el futuro.

- Este aparato se ha diseñado para ser utilizado en viviendas y solo debe utilizarse en entornos domésticos y para los fines especificados. No es adecuado para uso comercial o común. Este tipo de uso invalidará la garantía del aparato y nuestra compañía no se hará responsable de las pérdidas que se produzcan.
- Este aparato se ha diseñado para ser usado en hogares y solo es apto para enfriar/conservar alimentos. No es adecuado para uso comercial o común ni para guardar sustancias que no sean alimentos. Nuestra empresa no es responsable de las pérdidas que se puedan producir en caso contrario.

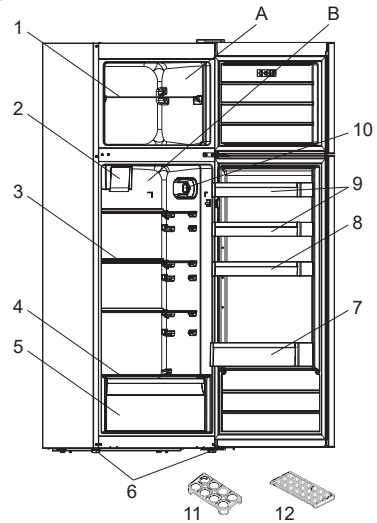
### Notas generales:

**Compartimiento de alimentos frescos (frigorífico):** Se garantiza un uso más eficiente de la energía con una disposición uniforme de los cajones en la parte inferior del electrodoméstico y de los estantes, la posición de los cajones de la puerta no afecta el consumo de energía.

**Compartimiento del congelador (congelador):** Según la disposición de los cajones y los estantes bandejas podrá hacer un uso más eficiente de la energía. Estos se encuentran en posición de existencias.

## 2 DESCRIPCIÓN DEL APARATO

Este electrodoméstico no está destinado para su uso como un electrodoméstico integrado.



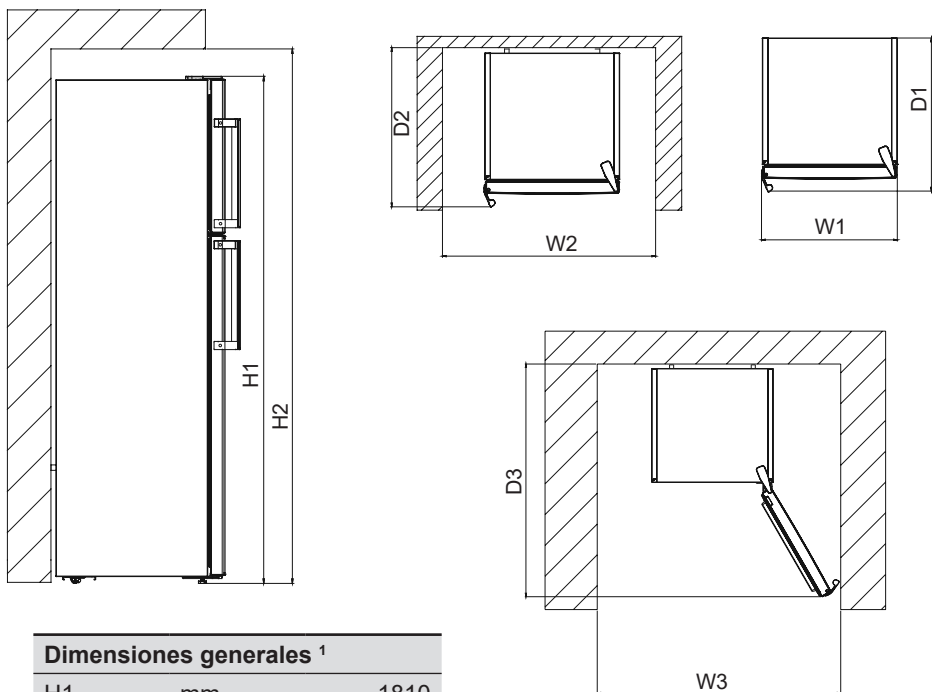
Esta presentación sobre las piezas del aparato solo se ofrece a título informativo. Las piezas pueden variar según el modelo de aparato.

- A) Compartimiento de congelador
- B) Compartimiento de refrigerador
- 1) Estante de congelador
- 2) Turboventilador \*
- 3) Estantes de refrigerador
- 4) Cubierta de cajón para fruta y verdura
- 5) Cajón para fruta y verdura
- 6) Patas de nivelación
- 7) Estante portabotellas
- 8) Estante de puerta regulable \* / Estante de puerta
- 9) Estantes de puerta
- 10) Compartimiento de termostato
- 11) Huevera
- 12) Cubitera

\* En algunos modelos



## Dimensions



### Dimensiones generales <sup>1</sup>

H1	mm	1810
W1	mm	595
D1	mm	660,5

### El espacio requerido en el uso <sup>2</sup>

H2	mm	1960
W2	mm	695
D2	mm	700,5

### Espacio total requerido en el uso <sup>3</sup>

W3	mm	990
D3	mm	1193,5

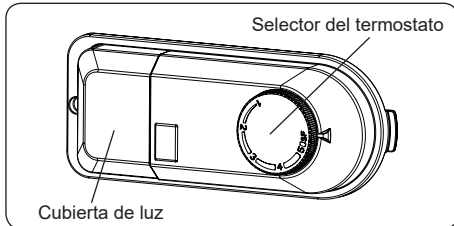
## 3 USO DEL APARATO

### 3.1 Información sobre la tecnología "Less Frost"

Gracias a la envoltura alrededor del evaporador, la tecnología LessFrost ofrece un enfriamiento más eficiente, una menor necesidad de descongelación manual y un espacio de almacenamiento más flexible.

### 3.2 Ajuste del Termostato

El termostato del refrigerador regulan automáticamente la temperatura en el interior de los congelador y del refrigerador. Gire el selector a una posición más alta, de 1 a 5 y SF, para obtener temperaturas más bajas. Durante las estaciones más frías, ajuste el termostato en posiciones inferiores para reducir el consumo eléctrico.



### Ajustes del termostato

- Para la conservación de alimentos en el compartimento congelador durante un corto período de tiempo, puede colocar el mando del termostato entre la posición 1 y 3.
- Para la conservación de alimentos en el compartimento congelador durante un período largo de tiempo, puede colocar el mando del termostato en la posición 3 y 4.
- **Ponga la perilla de control en la posición 5 para el uso frecuente de los alimentos frescos y los compartimientos del congelador en temperaturas ambientales calientes.**
- **Gire la perilla a la posición SF para congelar rápidamente los alimentos frescos. En esta posición, el compartimento del congelador funcionará**

a temperaturas más bajas. Una vez que se los alimentos se hayan congelado, gire la perilla del termostato a su posición de uso habitual. Si no cambia la posición de SF, el aparato volverá automáticamente a la última posición utilizada del termostato después de 48 horas. Vuelva a poner el interruptor del termostato en la posición SF y el aparato volverá a su posición de uso habitual 48 horas después.



**Aviso importante:** Si el interruptor del termostato está en la posición SF cuando se enciende el aparato por primera vez, el aparato volverá automáticamente a la posición 3 del termostato 48 horas después de su puesta en funcionamiento.

### 3.3 Advertencias de ajustes de temperatura

- La temperatura ambiental, la temperatura de los alimentos recién introducidos y la frecuencia con la que se abra la puerta afectan a la temperatura del refrigerador. Si fuese necesario, seleccione otra temperatura.
- En lo que a eficacia se refiere, no se recomienda operar el **aparato** en entornos de temperaturas inferiores a los 10 °C.
- Al regular el termostato, tenga en cuenta la frecuencia con la que se abren las puertas del aparato, el volumen de alimentos almacenados y el entorno en el que se ubica el **aparato**.
- Cuando encienda el aparato por primera vez, deje que funcione durante 24 horas para que alcance la temperatura de funcionamiento. Durante este período, no abra la puerta ni guarde demasiados alimentos en el interior del aparato.
- Durante los cortes del suministro eléctrico apague el aparato para impedir que se dañe el compresor. Una vez que se restaure el suministro, espere entre 5 y 10 minutos para volver a enchufar el aparato. De este modo se impide que se dañen sus componentes.

- El aparato está diseñado para trabajar en las temperaturas ambientales indicadas en los estándares, conforme a la clase climática indicada en la etiqueta de información. No se recomienda utilizar el refrigerador en entornos en los que se den temperaturas que estén fuera del rango especificado. Esto reduciría la eficacia del aparato en lo que a refrigeración se refiere.
- Este aparato está diseñado para trabajar en los rangos de temperatura ambiental (N = 16 °C - 32 °C) indicados en los estándares, conforme a la clase climática indicada en la etiqueta de información. No recomendamos operar este aparato fuera de los límites de temperatura indicados, dado que se ve afectada su eficacia. Compruebe las Advertencias debajo.

**Tipo de clima y significado:**

**T (tropical):** Este electrodoméstico de refrigeración está destinado para su uso a temperaturas ambiente que oscilan entre los 16 °C y los 43 °C.

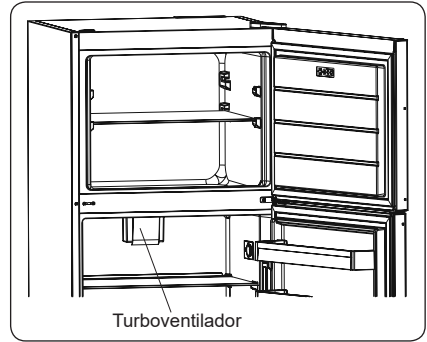
**ST (subtropical):** Este electrodoméstico de refrigeración está destinado para su uso a temperaturas ambiente que oscilan entre los 16 °C y los 38 °C.

**N (templado):** Este electrodoméstico de refrigeración está destinado para su uso a temperaturas ambiente que oscilan entre 16 °C y 32 °C.

**SN (temperatura extendida):** Este electrodoméstico de refrigeración está destinado para su uso a temperaturas ambiente que oscilan entre 10 °C y 32 °C.

**Turboventilador  
(si estuviese disponible)**

No bloquee las aperturas de entrada y salida de aire al guardar los alimentos. De lo contrario, se verá reducida la circulación de aire proporcionada por el turboventilador.

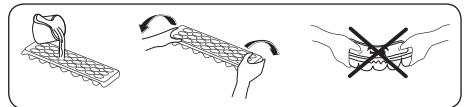


**3.4 Accesorios**

*Las descripciones visuales y textuales proporcionadas en la sección de accesorios pueden variar en función del modelo de aparato que haya adquirido.*

**3.4.1 Cubitera**

- Llene de agua la cubitera y colóquela en el congelador.
- Cuando el agua se haya congelado totalmente, puede doblar la cubitera para sacar los cubitos de hielo.



### 3.4.2 Estante de puerta regulable (En algunos modelos)


El estante de puerta regulable ofrece seis alturas diferentes para crear las áreas de almacenamiento que necesite.

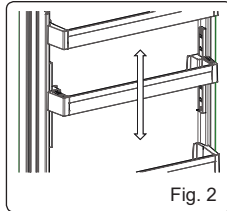
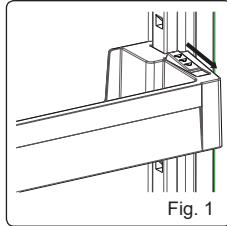
Para cambiar la posición del estante de puerta regulable:

Agarre la parte inferior del estante y

extraiga los botones del lado del estante de la puerta en la dirección que indica la flecha. (Fig.1)

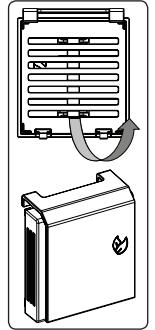
Coloque el estante de la puerta a la altura que necesite moviéndolo hacia arriba y hacia abajo. Después de colocar el estante de la puerta en la posición que quiera, suelte los botones del lado del estante de la puerta (fig. 2). Antes de soltar el estante de la puerta, muévelo hacia abajo y asegúrese de que esté fijo el estante de la puerta.

 **Nota:** Si antes de mover el estante de la puerta, está cargado, debe agarrarlo por debajo. De lo contrario, el estante de la puerta podría salirse de los rieles debido al peso. Esto podría causar daños tanto en el estante de la puerta como en los rieles.



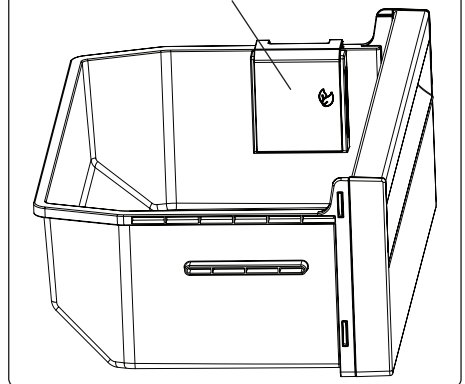
### 3.4.3 Dispositivo de preservación de máxima frescura (En algunos modelos)

La tecnología de preservación de máxima frescura ayuda a eliminar el gas etileno (un bioproducto que liberan los alimentos frescos de forma natural), así como los olores desagradables del cajón para fruta y verdura. De esta manera, los alimentos se conservan frescos más tiempo.



- El filtro de preservación de máxima frescura debe limpiarse una vez al año. Para limpiarlo, el filtro debe permanecer 2 horas en un horno a 65 °C.
- Para poder limpiar el filtro, extraiga la cubierta posterior del compartimento del filtro tirando de ella en la dirección que indica la flecha.
- El filtro no se debe lavar con agua o detergente.

Dispositivo de preservación de máxima frescura  
(En algunos modelos)



## 4 ALMACENAMIENTO DE ALIMENTOS

### 4.1 Compartimento de refrigerador

- Para reducir la humedad y evitar la subsiguiente formación de escarcha, guarde los líquidos en recipientes herméticos en el refrigerador. La escarcha tiende a acumularse en las partes más frías del líquido que se evapora y con el tiempo deberá descongelarse el aparato con una mayor asiduidad.
- No coloque nunca alimentos calientes en el refrigerador. Los alimentos calientes deben dejarse enfriar a temperatura ambiental y deben colocarse de tal forma que se garantice una adecuada circulación del aire en el compartimento del refrigerador.
- Asegúrese de que no haya ningún elemento en contacto directo con la pared trasera del aparato, ya que se formará escarcha y el embalaje se pegará a ella. No abra la puerta del refrigerador con frecuencia.
- Recomendamos envolver el pescado limpio y la carne de manera holgada y guardarlos en el estante de cristal que está justo encima del compartimento para verduras, donde se encuentra el refrigerador de aire, ya que ofrece las mejores condiciones de almacenamiento.
- Almacene las frutas y verduras sueltas en los cajones para fruta y verdura.
- Almacene las frutas y verduras sueltas en el cajón para fruta y verdura.
- Al almacenar por separado las frutas y las verduras, se impide que los vegetales sensibles al etileno (verduras de hoja verde, brócoli, zanahoria, etc.) se vean afectados por las frutas que liberan gas etileno (plátanos, melocotones, albaricoques, etc.).
- No coloque vegetales húmedos en el refrigerador.

- El tiempo de conservación de los alimentos depende de la calidad inicial del alimento y de si este disfrutó de un ciclo ininterrumpido de refrigeración antes de meterse en el refrigerador.
- Para evitar la contaminación cruzada no almacene productos de carne con frutas o verduras. El agua que sale de la carne podría contaminar otros productos que haya en el refrigerador. Debe envasar los productos de carne y limpiar el líquido que se haya derramado en los estantes.
- No coloque alimentos en frente del conducto de aireación.
- Consuma los alimentos envasados antes de la fecha de caducidad recomendada.



**NOTA:** Las patatas, cebollas y el ajo no se deben guardar en el refrigerador.

- Para condiciones de uso normales, bastará con ajustar la temperatura de su refrigerador a +4 °C.
- La temperatura del compartimento del frigorífico debe estar en el rango de 0 a 8 °C, los alimentos frescos por debajo de 0 °C se congelan y se pudren, la carga bacteriana aumenta por encima de 8 °C, y se estropean.
- No coloque comida caliente en el refrigerador, espere a que se enfríe. Los alimentos calientes aumentan el grado de su refrigerador y causan intoxicación alimentaria, así como el deterioro innecesario de la comida.
- La carne, el pescado, etc. deben almacenarse en el compartimento de refrigeración de la comida, y el compartimento de las verduras es preferible para las verduras. (si está disponible)
- Para evitar la contaminación cruzada, los productos cárnicos y las frutas y verduras no se deben almacenar juntos.
- Los alimentos deben colocarse en recipientes cerrados o cubiertos para evitar la humedad y los olores.

La siguiente tabla le servirá de referencia rápida para determinar la manera más eficaz de almacenar en el refrigerador los principales grupos de alimentos.

Alimento	Tiempo máximo de conservación	Cómo y dónde almacenarlos
Vegetales y frutas	1 semana	Cajón para vegetales
Carne y pescado	2-3 días	Envolver en bolsas o film de plástico o guardar en un recipiente para carne y colocar en el estante de cristal.
Queso fresco	3-4 días	En su estante de puerta
Mantequilla y margarina	1 semana	En su estante de puerta
Productos embotellados, como leche y yogur	Hasta la fecha de caducidad recomendada por el productor	En su estante de puerta
Huevos	1 mes	En el estante para huevos
Alimentos cocinados	2 días	En cualquier estante

#### 4.2 Compartimento del congelador

- El congelador se utiliza para almacenar alimentos congelados, congelar alimentos frescos y hacer cubitos de hielo.
- Para congelar alimentos frescos, envolver y sellar los alimentos frescos adecuadamente, es decir, el envase debe ser hermético y no debe tener filtraciones. Son ideales las bolsas especiales para congeladores, las bolsas de polietileno con papel de aluminio y los recipientes de plástico.
- No almacene alimentos frescos junto a alimentos congelados, ya que estos podrían descongelarse.
- Antes de congelar alimentos frescos, divídalos en porciones que se puedan consumir de una sentada.
- Los alimentos descongelados deben consumirse en un corto período de tiempo.

- No coloque nunca alimentos calientes en el congelador, ya que descongelarán los alimentos congelados.
  - A la hora de almacenar alimentos, siga las instrucciones proporcionadas por el fabricante en el envase del alimento. Si un alimento no proporciona información en su envase, no debe almacenarse más de 3 meses tras la fecha de compra.
  - Al comprar alimentos congelados, asegúrese de que se hayan almacenado en condiciones adecuadas y que no se haya dañado el envase.
  - Los alimentos congelados deben transportarse en contenedores adecuados y colocarse en el congelador lo antes posible.
  - No compre alimentos congelados si el envase presenta indicios de humedad o está hinchado de forma anómala. Puede que se haya almacenado a una temperatura inadecuada y que el contenido se haya deteriorado.
  - El tiempo de conservación de los alimentos congelados depende de la temperatura ambiental, la temperatura seleccionada en el termostato, la frecuencia con la que se abre la puerta, el tipo de alimento y el tiempo transcurrido para transportar el producto desde la tienda hasta el domicilio. Siga en todo momento las instrucciones impresas en el envase y no supere nunca el tiempo de conservación indicado.
  - En la etiqueta del aparato se muestra la cantidad máxima de alimentos frescos (en kg) que se puede congelar en un período de 24 horas.
  - Para congelar alimentos frescos, asegúrese de que la máxima superficie posible de los alimentos esté en contacto con la superficie de refrigeración.
- NOTA:** Si intenta abrir la puerta del congelador justo después de haberla cerrado, verá que cuesta abrirla. Es normal. Una vez que se haya alcanzado el equilibrio, la puerta se abrirá con facilidad.


### Nota importante:

- No vuelva a congelar alimentos ya descongelados.
- El sabor de algunas especias de platos cocinados (anís, basilica, berros, vinagre, especias variadas, jengibre, ajo, cebolla, mostaza, tomillo, mejorana, pimienta negra, etc.) cambia y coge un sabor fuerte cuando se guardan durante mucho tiempo. Por este motivo recomendamos añadir pequeñas cantidades de especias a los alimentos que vaya a congelar o añadir las especias que se desee tras descongelar los alimentos.
- El tiempo de conservación de los alimentos depende del aceite que se utilice. Algunos de los aceites adecuados para conservar alimentos son margarina, grasa de ternero, aceite de oliva y mantequilla. El aceite de cacahuete y la grasa de cerdo no sirven para conservar alimentos.
- Los alimentos líquidos deben congelarse en recipientes de plástico. El resto de alimentos debe congelarse en bolsas o film de plástico.



La siguiente tabla le servirá de referencia rápida para determinar la manera más eficaz de almacenar los principales grupos de alimentos en el congelador.

Carne y pescado	Preparación	Tiempo máximo de conservación (meses)
Bistec	Envolver en film.	6 - 8
Carne de cordero	Envolver en film.	6 - 8
Ternera asada	Envolver en film.	6 - 8
Tacos de ternera	En trozos pequeños.	6 - 8
Tacos de cordero	En trozos.	4 - 8
Carne picada	En un envase sin especias.	1 - 3
Menudillos (piezas)	En trozos.	1 - 3
Salami/salchichas de Bolonia	Se deben guardar en un paquete aunque tengan piel.	
Pollo y pavo	Envolver en film.	4 - 6
Ganso y pato	Envolver en film.	4 - 6
Ciervo, conejo y jabalí	En porciones de 2,5 kg o en filetes.	6 - 8

Carne y pescado	Preparación	Tiempo máximo de conservación (meses)
Pescados de agua dulce (salmón, carpa, siluro)	Tras limpiar las entrañas y escamas del pescado, lávelo y séquelo. Si fuese necesario, quítele la cola y la cabeza.	2
Pescados magros (lubina, rodaballo, lenguado)		4
Pescados grasos (atún, verdel, anjova, anchoa)		2 - 4
Mariscos	Limpios y en una bolsa.	4 - 6
Caviar	En su envase o en un contenedor de aluminio o de plástico.	2 - 3
Caracoles	En agua salada o en un contenedor de aluminio o de plástico.	3
 <b>NOTA:</b> La carne descongelada se debe cocinar como si fuese carne fresca. Si no se cocina la carne tras haberla descongelado, no debe volver a congelarse.		

Vegetales y frutas	Preparación	Tiempo máximo de conservación (meses)
Habichuelas y alubias	Lavar, cortar en trozos pequeños y hervir en agua.	10 - 13
Alubias	Pelar, lavar y hervir en agua.	12
Repollo	Limpiar y hervir en agua.	6 - 8
Zanahoria	Limpiar, cortar en rodajas y hervir en agua.	12
Pimienta	Cortar el tallo, cortar en dos trozos, quitar el corazón y hervir en agua.	8 - 10
Espinacas	Lavar y hervir en agua.	6 - 9
Coliflor	Quitar las hojas, cortar en pedazos el corazón y dejar en agua con un poco de jugo de limón durante un rato.	10 - 12
Berenjena	Cortar en trozos de 2 cm tras lavar.	10 - 12
Maíz	Limpiar y envasar con su tallo o como maíz tierno.	12
Manzanas y peras	Pelar y cortar en rodajas.	8 - 10
Albaricoques y melocotones	Cortar en dos trozos y quitar la pipita.	4 - 6
Fresas y moras	Lavar y pelar.	8 - 12
Frutas cocinadas	Añadir un 10 % de azúcar al contenedor.	12
Ciruelas, cerezas y bayas agrias	Lavar y pelar los tallos.	8 - 12


	Tiempo máximo de conservación (meses)	Tiempo de descongelación a temperatura ambiental (horas)	Tiempo de descongelación en horno (minutos)
Pan	4 - 6	2 - 3	4-5 (220-225 °C)
Galletas	3 - 6	1 - 1,5	5-8 (190-200 °C)
Pastelitos	1 - 3	2 - 3	5-10 (200-225 °C)
Pastel	1 - 1,5	3 - 4	5-8 (190-200 °C)





	Tiempo máximo de conservación (meses)	Tiempo de descongelación a temperatura ambiental (horas)	Tiempo de descongelación en horno (minutos)
Masa de hojaldre	2 - 3	1 - 1,5	5-8 (190-200 °C)
Pizza	2 - 3	2 - 4	15-20 (200 °C)

Productos lácteos	Preparación	Tiempo máximo de conservación (meses)	Condiciones de almacenamiento
Leche envasada (homogeneizada)	En su propio envase.	2 - 3	Leche pura: en su propio envase.
Queso (salvo el queso blanco)	En lonchas.	6 - 8	El envase original se puede utilizar para un almacenamiento de corta duración. Para períodos más largos, mantener envuelto en film.
Mantequilla y margarina	En su envase.	6	


## 5 LIMPIEZA Y MANTENIMIENTO

 Antes de realizar tareas de limpieza, desconecte la unidad del suministro eléctrico.

 No lave el aparato vertiendo agua sobre él.

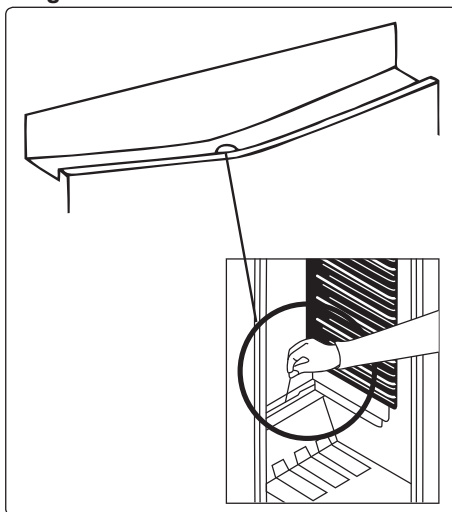
 No utilice jabones, detergentes ni productos abrasivos para limpiar el aparato. Después de haberlo lavado, enjuáguelo con agua limpia y séquelo con cuidado. Cuando haya terminado de limpiarlo, vuelva a conectar el enchufe a la red eléctrica con las manos secas.

- Asegúrese de que no entre agua en el receptáculo de las luces ni otros componentes eléctricos.
- El aparato debe limpiarse periódicamente con una solución de agua tibia y bicarbonato sódico.
- Limpie los accesorios por separado, a mano y con agua y jabón. No lave los accesorios en el lavavajillas.
- Limpie el condensador con un cepillo al menos dos veces al año. Esto le ayudará a ahorrar en electricidad y a mejorar la productividad.

 **Durante las tareas de limpieza debe desconectarse el aparato de la red eléctrica.**

### 5.1 Descongelación

#### Descongelación del compartimento del refrigerador



- El uso normal del refrigerador hace que se acumule escarcha automáticamente en su interior. La bandeja de evaporación recoge el agua, que se evapora automáticamente.
- La bandeja de evaporación y el orificio de desagüe deben limpiarse periódicamente con el tapón de desagüe de descongelación para impedir que el agua se acumule en la parte inferior del

refrigerador en lugar de fluir hacia el exterior.

- También puede limpiar el orificio de desagüe vertiendo medio vaso de agua en él.


### Compartimento del congelador

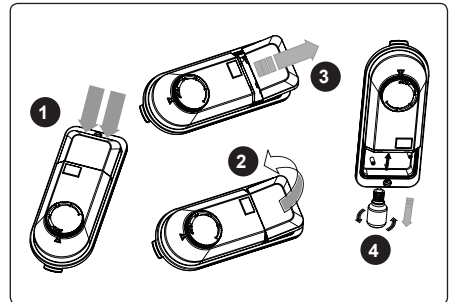
La escarcha que se acumula en el congelador debe retirarse de manera regular mediante el rascador de plástico suministrado. El compartimento del congelador se debe limpiar al menos dos veces al año del mismo modo que el compartimento del refrigerador, es decir, mediante la función de descongelación.

#### Para ello:

- El día antes de realizar la descongelación, coloque el selector de temperatura del termostato en la posición "5" para congelar por completo los alimentos.
- Durante la descongelación, los alimentos congelados deben mantenerse envueltos en varias capas de papel y deben conservarse en un lugar fresco. El inevitable aumento de la temperatura reducirá su tiempo de conservación. Recuerde que estos alimentos deben consumirse en un período de tiempo relativamente corto.
- Coloque el selector del termostato en la posición "•" y desconecte el aparato de la red eléctrica. Deje la puerta abierta hasta que la unidad se haya descongelado por completo.
- Para acelerar el proceso de descongelación, coloque uno o varios cuencos de agua caliente en el compartimento del congelador.
- Seque el interior de la unidad con cuidado y coloque el selector del termostato en la posición MAX (MÁX.).


## 5.2 Cambio de la bombilla

 **Nota importante:** Antes de comenzar este proceso, desconecte la unidad del suministro eléctrico.



1. Presione los ganchos de la cubierta de la bombilla. (Fig. 1)
2. Abra la cubierta de la bombilla en la dirección de la flecha cuando los ganchos superiores se salgan del receptáculo. (Fig. 2)
3. Extraiga la cubierta tirando de ella en la dirección de la flecha. (Fig. 3)
4. Gire la bombilla en el sentido contrario a las agujas del reloj y sáquela. (Fig. 4)
5. Cambie la bombilla por una nueva de no más de 15 W. (Fig. 4)
6. Realice los pasos descritos en orden inverso.
7. Espere 5 minutos antes de volver a enchufar la unidad.

### Cambio de las luces LED

 Si el **aparato** dispone de luces LED, póngase en contacto con el servicio de soporte técnico, ya que solo debe cambiarlas personal autorizado.

## 6 TRANSPORTE Y REUBICACIÓN

### 6.1 Transporte y reubicación

- El embalaje original y la espuma se pueden conservar para volver a transportar el aparato (opcional).
- Sujete el aparato con un embalaje grueso, bandas o cuerdas fuertes y siga las instrucciones de transporte que se suministran en el embalaje.
- Cuando vaya a reubicar o transportar el aparato, quite todas las piezas móviles (estantes, accesorios, cajones para vegetales, etc.) o fíjelas al aparato protegiéndolas con bandas de los golpes.



El aparato debe transportarse siempre en posición vertical.

### 6.2 Reinstalación de la puerta

- No se puede cambiar la dirección en la que se abre la puerta si los tiradores están instalados en la superficie frontal de la puerta del aparato.
- Se puede cambiar la dirección en la que se abre la puerta en aquellos modelos que no tienen tiradores.
- Si se puede cambiar la dirección en la que se abre la puerta de su aparato, póngase en contacto con el Centro de servicio autorizado más cercano para hacerlo.

## 7 ANTES DE LLAMAR AL SERVICIO DE POSVENTA

Si su refrigerador no funciona adecuadamente, puede que haya un problema menor. Compruebe lo siguiente.

### El aparato no funciona

#### Compruebe lo siguiente:

- Hay electricidad.
- El aparato está conectado a la red eléctrica.
- El termostato se encuentra en la posición “\*”.
- La toma eléctrica está defectuosa. Para comprobarlo, conecte otro aparato que funcione a dicha toma.

### El aparato no funciona bien

#### Compruebe lo siguiente:

- El aparato está sobrecargado.
- Las puertas están bien cerradas.
- Hay polvo en el condensador.
- Hay suficiente espacio cerca de las paredes trasera y laterales.

### El aparato hace ruido

El gas de refrigeración que circula por el circuito refrigerador puede hacer un poco de ruido (sonido de burbujas) incluso cuando el compresor no esté trabajando. No se preocupe, es normal. Si oye otro tipo de ruido, compruebe que:

- El aparato esté nivelado.
- No haya nada en contacto con la parte trasera del aparato.
- Haya objetos en el aparato que estén vibrando.

### Hay agua en la parte inferior del refrigerador

#### Compruebe lo siguiente:

El orificio de desagüe no está atascado (utilice el tapón del desagüe de descongelación para limpiar el orificio de desagüe).

## Recomendaciones

- Si se apaga o desenchufa el aparato, debe dejar pasar al menos 5 minutos antes de volver a enchufar o encender la unidad para evitar que se dañe el compresor.
- La unidad de refrigeración del refrigerador se encuentra en la parte trasera del aparato. Por consiguiente, puede que se formen gotas de agua o hielo en la superficie trasera del refrigerador debido al funcionamiento del compresor a intervalos especificados. Esto es normal, no hace falta descongelar el aparato salvo que haya una cantidad excesiva de hielo.
- Desenchufe el refrigerador si no lo va a utilizar durante mucho tiempo (por ejemplo, durante las vacaciones de verano). Limpie el refrigerador de acuerdo con el capítulo dedicado a la limpieza y deje la puerta abierta para evitar humedad y olores.
- Si tras seguir las instrucciones proporcionadas anteriormente sigue habiendo algún problema, póngase en contacto con el centro de servicio autorizado más cercano.
- El aparato que ha comprado solo está diseñado para uso doméstico. No es adecuado para uso comercial o común. Queremos destacar que si el usuario utiliza el aparato de alguna manera que se incumplan estas indicaciones, ni el fabricante ni el distribuidor serán responsables de ninguna reparación ni avería dentro del período de garantía.

## 8 CONSEJOS PARA AHORRAR ELECTRICIDAD

1. Instale el aparato en una habitación fresca y bien ventilada, donde no reciba la luz directa del sol y no esté cerca de una fuente de calor (como un radiador o un horno). De lo contrario, debería utilizarse una placa aislante.
2. Deje que los alimentos y las bebidas calientes se enfríen antes de colocarlos en el aparato.
3. Coloque los alimentos que se hayan descongelado en el compartimento del refrigerador. La baja temperatura del alimento que se está descongelando ayudará a refrigerar el compartimento del refrigerador. De este modo se reduce el consumo eléctrico. Descongelar alimentos fuera del aparato supone un desperdicio de electricidad.
4. Las bebidas u otro tipo de líquidos deben taparse cuando se coloquen dentro del aparato. Si no se tapan, aumentará la humedad en el interior del aparato, lo que hará que el aparato consuma más electricidad. Mantener tapadas las bebidas y otros líquidos ayuda a conservar su aroma y sabor.
5. Evite dejar las puertas abiertas durante mucho tiempo así como abrirlas muy a menudo, ya que de lo contrario, entrará aire caliente en el aparato y hará que el compresor tenga que trabajar a menudo de manera innecesaria.
6. Mantenga cerradas las cubiertas de los distintos compartimentos de temperatura (como el cajón para fruta y verdura y el enfriador).
7. La junta de estanqueidad de la puerta debe estar limpia y flexible. Cambie las juntas de estanqueidad si están gastadas.
8. Es posible almacenar más alimentos quitando el estante del congelador. El consumo de electricidad declarado hace referencia a una máxima carga sin estante de congelador.

## 9 DATOS TÉCNICOS

La información técnica se encuentra en la placa de datos técnicos en el lado interior izquierdo del aparato y en la etiqueta de energía.

El código QR de la etiqueta energética suministrada con el aparato proporciona un enlace web a la información relacionada con el rendimiento del aparato en la base de datos de EU EPREL.

Guarde la etiqueta de energía como referencia junto con el manual de usuario y todos los demás documentos que se proporcionan con este aparato.

También puede encontrar la misma información en EPREL utilizando el enlace <https://eprel.ec.europa.eu> y el nombre del modelo y el número de producto que se encuentra en la placa de características del aparato.

## 10 INFORMACIÓN PARA LOS INSTITUTOS DE PRUEBAS

La instalación y la preparación del aparato para cualquier verificación de EcoDiseño deberá cumplir con EN 62552.

Los requisitos de ventilación, las dimensiones 54 de los huecos y las distancias mínimas

traseras serán los indicados en el **Parte 2** de este Manual de Usuario.

Por favor, póngase en contacto con el fabricante para cualquier otra información adicional, incluyendo los planos de carga.

## 11 INFORMACIÓN PARA EL USUARIO

Utilice siempre recambios originales.

Cuando comunique con nuestro Centro de Servicio Autorizado, asegúrese de tener los siguientes datos: Modelo, Número de serie e Índice de servicio.

La información puede encontrarla en la placa de características. Sujeto a cambios sin previo aviso.






Los recambios originales de algunos componentes específicos están disponibles solamente durante los 10 primeros años desde la puesta en el mercado de la última unidad del modelo.

Visite nuestro sitio web:  
[www.vestel.com](http://www.vestel.com)

### Obrigado por escolher este produto.

Este Manual de Utilizador contém informações de segurança e instruções importantes relativamente ao manuseamento e manutenção do seu eletrodoméstico.

Por favor, despenda algum tempo a ler este Manual de Utilizador antes de utilizar o seu eletrodoméstico e guarde-o para referência futura.

Ícone	Tipo	Significado
	NOTA	Risco de lesão grave ou morte
	RISCO DE CHOQUE ELÉTRICO	Risco de tensão perigosa
	INCÊNDIO	Aviso; Risco de incêndio/materiais inflamáveis
	PRECAUÇÃO	Risco de danos materiais ou lesão
	IMPORTANTE / AVISO	Manusear corretamente o sistema

# ÍNDICE

<b>1 INSTRUÇÕES DE SEGURANÇA .....</b>	<b>48</b>
1.1 Avisos Gerais de Segurança .....	48
1.2 Avisos de instalação .....	53
1.3 Durante a Utilização .....	54
<b>2 DESCRIÇÃO DO ELETRODOMÉSTICO .....</b>	<b>55</b>
<b>3 UTILIZAR O ELETRODOMÉSTICO .....</b>	<b>57</b>
3.1 Informações sobre a Tecnologia Less Frost (Menos Gelo) .....	57
3.2 Configurações do Termóstato .....	57
3.3 Avisos de Configurações de Temperatura .....	57
3.4 Acessórios .....	58
3.4.1 Bandeja de gelo .....	58
3.4.2 Prateleira de Porta Ajustável (Em alguns modelos) .....	59
3.4.3 Maxi-fresh preserver (Em alguns modelos) .....	59
<b>4 ARMAZENAMENTO DE ALIMENTOS .....</b>	<b>60</b>
4.1 Compartimento do Frigorífico .....	60
4.2 Compartimento do Congelador .....	61
<b>5 LIMPEZA E MANUTENÇÃO .....</b>	<b>64</b>
5.1 Descongelação .....	64
5.2 Substituição da Lâmpada de Luz .....	65
<b>6 ENVIO E REPOSICIONAMENTO .....</b>	<b>66</b>
6.1 Transportar e alterar o posicionamento .....	66
6.2 Reposicionar a Porta .....	66
<b>7 ANTES DE CONTACTAR O SERVIÇO PÓS-VENDAS .....</b>	<b>66</b>
<b>8 DICAS PARA POUPAR ENERGIA .....</b>	<b>67</b>
<b>9 DADOS TÉCNICOS .....</b>	<b>68</b>
<b>10 INFORMAÇÃO PARA TESTES .....</b>	<b>68</b>
<b>11 SERVIÇO E ASSISTÊNCIA AO CONSUMIDOR .....</b>	<b>69</b>

# 1 INSTRUÇÕES DE SEGURANÇA

## 1.1 Avisos Gerais de Segurança

**Leia este manual cuidadosamente.**

**⚠️ NOTA:** Mantenha as aberturas de ventilação, no revestimento do eletrodoméstico ou na estrutura embutida, livres de obstruções.

**⚠️ NOTA:** Não utilize dispositivos mecânicos ou outros meios para acelerar o processo de descongelamento que não os recomendados pelo fabricante.

**⚠️ NOTA:** Não utilize eletrodomésticos elétricos dentro dos compartimentos de armazenamento de alimentos do eletrodoméstico a menos que tal seja recomendado pelo fabricante.

**⚠️ NOTA:** Não danifique o circuito de refrigeração.

**⚠️ NOTA:** Quando posicionar o aparelho, certifique-se de que o cabo de alimentação não está preso ou danificado.

**⚠️ NOTA:** Não coloque várias tomadas portáteis ou fontes de alimentação portáteis na parte traseira do aparelho.

**⚠️ NOTA:** De modo a evitar quaisquer perigos resultantes da instabilidade do eletrodoméstico, o mesmo deverá ser fixado de acordo com as instruções.

**⚠️** Se o seu eletrodoméstico utilizar R600a como refrigerante (estas informações serão fornecidas na identificação do congelador) deverá tomar cuidado



durante o transporte e instalação para evitar que elementos do congelador fiquem danificados. O R600a é amigo do ambiente e um gás natural, no entanto, explosivo. Na eventualidade de uma fuga devido a danos dos elementos do congelador, afaste o seu frigorífico de chamas vivas ou fontes de calor e ventile, durante alguns minutos, a divisão onde se localiza o frigorífico.

- Enquanto transporta e posiciona o frigorífico, não danifique o circuito de gás do congelador.
- Não armazene substâncias explosivas, como por exemplo, latas de aerossóis com propulsor inflamável neste eletrodoméstico.
- O eletrodoméstico deverá ser utilizado em aplicações domésticas e residenciais, como por exemplo:
  - áreas de cozinha em lojas, escritórios e outros ambientes de trabalho.
  - quintas e por clientes em hotéis, motéis e outros tipos de ambientes residenciais.
  - ambientes tipo residencial;
  - aplicações de não retalho, catering e similares.
- Se a tomada não coincidir com a ficha do frigorífico, deverá ser substituída pelo fabricante, agente de serviço ou pessoa de qualificação similar de modo a evitar perigos.
- Uma tomada de ligação a terra especial foi conectada ao cabo elétrico do seu frigorífico. Esta

tomada deverá ser utilizada com uma tomada de ligação a terra especial de 16 amperes. Se não existir tomada na sua casa, por favor, instale uma com a ajuda de um electricista autorizado.

- Este eletrodoméstico pode ser utilizado por crianças a partir dos 8 anos de idade e superior e por pessoas (incluindo crianças) com capacidades mentais, sensoriais e físicas reduzidas ou com falta de experiência ou conhecimento a menos que tenham sido supervisionados ou tenham recebido instruções relativamente à utilização do eletrodoméstico de forma segura e que tenham entendido os perigos envolvidos. As crianças não devem brincar com o eletrodoméstico. A limpeza e a manutenção por parte do utilizador não deverão ser realizadas por crianças sem supervisão.
- Crianças com idades entre 3 e 8 anos podem encher e esvaziar eletrodomésticos de refrigeração. As crianças não devem efetuar a limpeza ou a manutenção do eletrodoméstico; crianças muito pequenas (0–3 anos) não devem utilizar os eletrodomésticos; crianças pequenas (3–8 anos) apenas podem utilizar os eletrodomésticos de forma segura sob supervisão constante; crianças mais velhas (8–14 anos) e pessoas vulneráveis podem utilizar os eletrodomésticos de forma segura após terem sido supervisionadas ou recebido as instruções adequadas relativamente à utilização do eletrodoméstico. As pessoas muito vulneráveis

apenas podem utilizar os eletrodomésticos em segurança sob supervisão constante.

- Se o cabo elétrico estiver danificado, deverá ser substituído pelo fabricante, agente de serviço ou pessoa qualificada similar de modo a evitar perigos.
- Este eletrodoméstico não tem como objetivo ser utilizado em altitudes que excedam 2000 m.

**De forma a evitar que os alimentos fiquem contaminados, respeite as instruções que se seguem:**

- Manter a porta aberta durante longos períodos de tempo pode causar um aumento significativo da temperatura nos compartimentos do eletrodoméstico.
- Efetue uma limpeza regular das superfícies que entrem em contacto com qualquer alimento e dos sistemas de drenagem acessíveis.
- Armazene carne e peixe crus em recipientes adequados dentro do frigorífico, de forma que não entrem em contacto com os outros alimentos ou que não vertam para cima dos mesmos.
- Os compartimentos de duas estrelas para alimentos congelados são adequados para armazenar alimentos pré-congelados, para armazenar ou fazer gelado e cubos de gelo.
- Os compartimentos de uma, duas e três estrelas não são adequados para congelar alimentos frescos.

- Se o frigorífico ficar vazio durante longos períodos de tempo, este deve ser desligado, descongelado, limpo e seco, sendo necessário deixar a porta aberta para evitar o aparecimento de bolor dentro do eletrodoméstico.

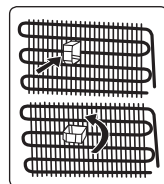
## 1.2 Avisos de instalação

Antes de utilizar o seu **congelador-rigorífico** pela primeira vez, tome atenção aos seguintes pontos:

- A tensão operativa do seu **congelador-rigorífico** é de 220-240 V a 50Hz.
- A tomada deverá ficar acessível após a instalação.
- O seu **congelador-rigorífico** poderá ter um odor quando for operado pela primeira vez. Isto é normal e o odor irá desaparecer quando o seu congelador-rigorífico começar a refrigerar.
- Antes de ligar o seu congelador-rigorífico, certifique-se de que as informações da placa de informação (tensão e carga conectada) coincidem com a alimentação de eletricidade principal. Se tiver dúvidas, consulte um eletricista qualificado.
- Insira a ficha na tomada com uma conexão de terra eficiente. Se a tomada não tiver contacto de terra ou a ficha não coincidir, recomendamos que contacte um eletricista qualificado para assistência.
- O eletrodoméstico deverá estar conectado com uma tomada com fusíveis instalados adequadamente. A tensão de alimentação (CA) e tensão no ponto operativo devem coincidir com os detalhes na placa de identificação do eletrodoméstico (a placa de identificação localiza-se na parte esquerda interior do eletrodoméstico).
- Não assumimos a responsabilidade por danos que ocorram devido à utilização de equipamento sem ligação a terra.
- Coloque o seu **congelador-rigorífico** num local em que não fique exposto à luz direta do sol.
- O seu **congelador-rigorífico** nunca deve ser utilizado no exterior ou ficar exposto à chuva.
- O seu eletrodoméstico deverá estar a, pelo menos, 50 cm de distância de fogões, fornos a gás e aquecedores, e a,

pelo menos, 5 cm de distância de fornos elétricos.

- Se o seu **congelador-rigorífico** for colocado perto de um congelador, deverão existir, pelo menos, 2 cm entre eles para evitar que se forme humidade na superfície exterior.
- Não cubra o eletrodoméstico ou o topo do **congelador-rigorífico** com um pano. Isto irá afetar o desempenho do **congelador-rigorífico**.
- É necessário um espaço de, pelo menos, 150 mm no topo do seu eletrodoméstico. Não coloque nada no topo do seu eletrodoméstico.
- Não coloque itens pesados sobre o eletrodoméstico.
- Limpe o eletrodoméstico adequadamente antes da utilização (consultar Limpeza e Manutenção).
- Antes de utilizar o seu congelador-rigorífico, limpe todas as partes com uma solução de água quente e uma colher de sopa de bicarbonato de sódio. Depois, enxague com água limpa e seque. Volte a colocar as partes no **congelador-rigorífico** após a limpeza.
- Utilize as pernas dianteiras ajustáveis para se certificar de que o eletrodoméstico está nivelado e estável. Pode ajustar as pernas rodando-as em qualquer direção. Isto deverá ser realizado antes de colocar alimentos no eletrodoméstico.
- Instale o guia de distância de plástico (a parte com palhetas pretas na traseira) rodando-o 90° (tal como indicado na imagem) para evitar que o condensador toque na parede.
- A distância entre o eletrodoméstico e a parede traseira deverá ser, no máximo, de 75 mm.



### 1.3 Durante a Utilização

- Não conecte o seu **frigorífico congelador** à alimentação elétrica principal utilizando uma extensão.
- Não utilize tomadas danificadas, desgastadas ou antigas.
- Não puxe, dobre ou danifique o cabo.
- Não use adaptador de ficha.
- Este eletrodoméstico foi criado para ser utilizado por adultos. Não deixe que crianças brinquem com o eletrodoméstico ou se pendurem na porta.
- Nunca toque na ficha/cabo elétrico com as mãos molhadas. Isto pode causar curto circuito ou choque elétrico.
- Não coloque garrafas de vidro ou latas no compartimento de gelo uma vez que rebentam quando o conteúdo congela.
- Não coloque material explosivo ou inflamável no seu frigorífico. Coloque bebidas com elevado conteúdo de álcool verticalmente no compartimento do **frigorífico** e certifique-se de que as partes superiores estão bem fechadas.
- Aquando da remoção de gelo do compartimento de gelo, não lhe toque. O gelo poderá causar queimaduras e/ou cortes.
- Não toque nos alimentos congelados com as mãos molhadas. Não coma gelado ou cubos de gelo imediatamente após os mesmos terem sido removidos do compartimento de gelo.
- Não volte a congelar alimentos descongelados. Isto poderá causar problemas de saúde como por exemplo, intoxicação alimentar.

#### **Frigoríficos antigos e que não funcionam**

- Se o seu frigorífico ou congelador antigo tiver um cadeado, quebre ou remova o cadeado antes de o eliminar, uma vez que crianças podem ficar presas dentro do mesmo e haver um acidente.

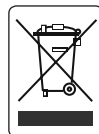
- Frigoríficos e congeladores antigos contêm material de isolamento e refrigerante com CFC. Assim, tome cuidado para não danificar o ambiente quando eliminar o seu frigorífico antigo.

#### **Declaração de Conformidade CE**

Declaramos que os nossos produtos cumprem com as Diretivas, Decisões e Regulamentações Europeias e com os requisitos listados nos padrões referenciados.

#### **Eliminação do seu eletrodoméstico antigo**

O símbolo no produto ou na embalagem indica que este produto não poderá ser tratado como resíduo doméstico. Ao invés disso, deverá ser entregue no ponto de recolha adequado para a reciclagem de equipamento elétrico e eletrónico. Ao assegurar que este produto é eliminado corretamente, irá ajudar a evitar consequências potencialmente negativas para o ambiente e para a saúde humana que poderiam, de outra forma, ser causadas pelo manuseamento inadequado de resíduos deste produto. Para informações mais detalhadas sobre a reciclagem deste produto, por favor, contacte a secretaria da sua cidade, o seu serviço de eliminação de resíduos domésticos ou a loja onde adquiriu o produto.



#### **Embalagem e o Ambiente**

Os materiais de embalagem protegem a sua máquina contra danos que possam ocorrer durante o transporte. Os materiais de embalagem são ecologicamente corretos, pois são recicláveis. O uso de material reciclado reduz o consumo de matéria-prima e, por isso, reduz a produção de resíduos.



## Notas:

- Por favor, leia o manual de instruções cuidadosamente antes de instalar e utilizar o seu eletrodoméstico. Não nos responsabilizamos por quaisquer danos incorridos devido a má utilização.
- Siga todas as instruções indicadas no seu eletrodoméstico e no manual de instruções e guarde este manual num local seguro para resolver os problemas que possam ocorrer no futuro.
- Este eletrodoméstico é fabricado para ser utilizado em casa e só pode ser utilizado em ambientes domésticos e para os propósitos especificados. Não é adequado para utilização comercial ou comum. Tal utilização irá fazer com que a garantia do eletrodoméstico seja cancelada e a nossa empresa não se responsabilizará por perdas que possam ocorrer.
- Este eletrodoméstico foi fabricado para ser utilizado em casa e só serve para refrigerar/armazenar alimentos. Não é adequado para utilização comercial ou comum e/ou para armazenar substâncias que não alimentos. A nossa empresa não se responsabiliza pelas perdas incorridas em caso contrário.

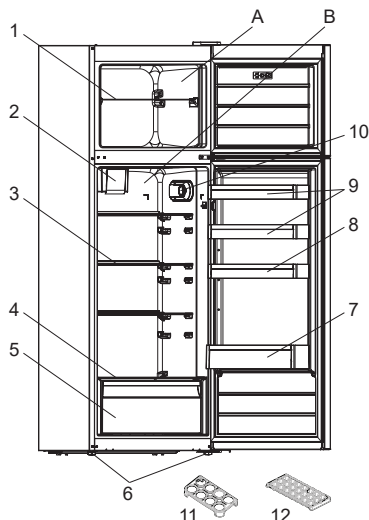
## Notas gerais:


**Compartmento de alimentos frescos (frigorífico):** A utilização eficiente da energia é garantida pela configuração, com as gavetas na parte inferior do eletrodoméstico e uma distribuição uniforme das prateleiras, e a posição dos compartimentos das portas não afeta o consumo energético.

**Compartmento para congelados (congelador):** A utilização eficiente da energia é garantida pela configuração, com as gavetas e os compartimentos na posição de stock.

## 2 DESCRIÇÃO DO ELETRODOMÉSTICO

Este eletrodoméstico não se destina a ser encastrado.



 Esta apresentação serve apenas como informação sobre partes do eletrodoméstico. As partes poderão variar de acordo com o modelo de eletrodoméstico.

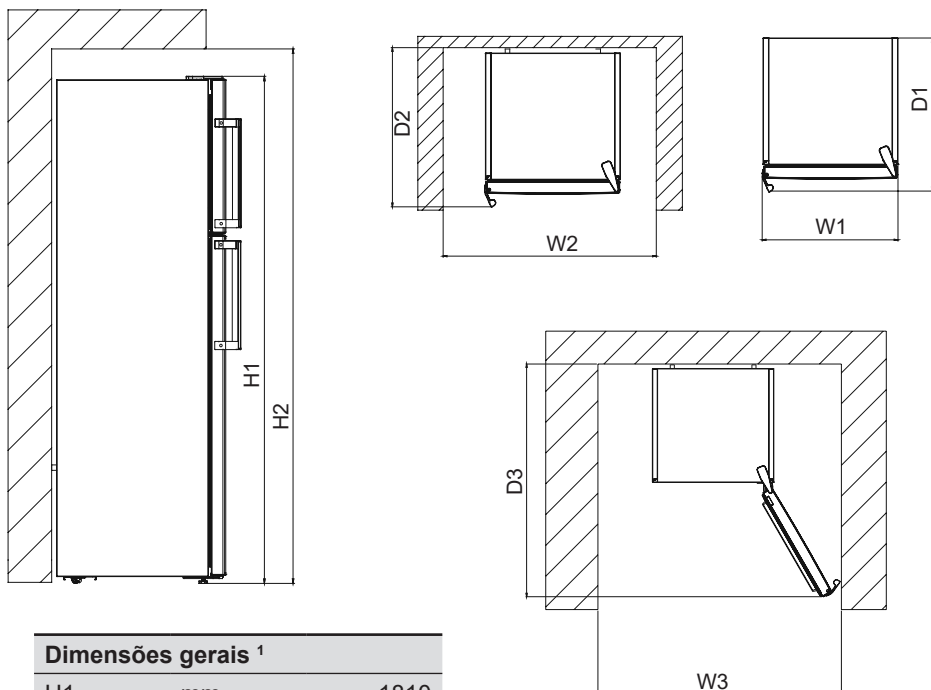
A) Compartimento do Congelador

B) Compartimento do Frigorífico

- 1) Prateleira do congelador
- 2) Ventoinha turbo \*
- 3) Prateleiras do frigorífico
- 4) Tampa da gaveta
- 5) Gaveta
- 6) Pés de nivelção
- 7) Prateleira de garrafas
- 8) Prateleira ajustável da porta \* / Prateleira do porta
- 9) Prateleiras de porta
- 10) Caixa do termóstato
- 11) Suporte de ovos
- 12) Bandeja da caixa de gelo

\* Em alguns modelos

## Dimensions



Dimensões gerais <sup>1</sup>		
H1	mm	1810
W1	mm	595
D1	mm	660,5

Espaço necessário para utilização <sup>2</sup>		
H2	mm	1960
W2	mm	695
D2	mm	700,5

Espaço geral necessário para		
W3	mm	990
D3	mm	1193,5



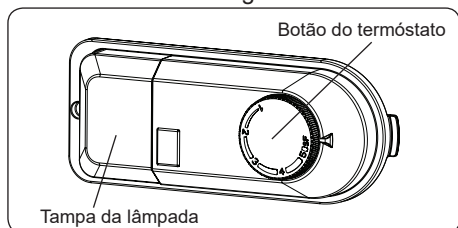
## 3 UTILIZAR O ELETRODOMÉSTICO

### 3.1 Informações sobre a Tecnologia Less Frost (Menos Gelo)

Graças ao evaporador envolvente, a tecnologia Less Frost oferece refrigeração mais eficiente, menos necessidade de descongelação manual e mais espaço de armazenamento flexível.

### 3.2 Configurações do Termóstato


O Termostato do frigorífico regula automaticamente a temperatura interior dos compartimentos. Rodando o botão desde a posição "1" até "5" e "SF", temperaturas mais frias serão conseguidas.



### Configurações do Termóstato

- Coloque o botão giratório para a posição média/baixa, até 3, para armazenamento a curto prazo de alimentos no eletrodoméstico.
- Coloque o botão giratório para a posição média, 3 ou 4, para armazenamento a longo prazo de alimentos no eletrodoméstico.
- **Ajuste o botão para 5 para uso frequente dos compartimentos para alimentos frescos e de congelação a temperaturas ambiente quentes.**
- **Rode o botão para SF para congelar rapidamente os alimentos frescos. Nesta posição, o compartimento de congelação irá funcionar a temperaturas mais baixas. Após os alimentos congelarem, rode o botão do termostato para a sua posição de utilização normal. Se não mudar a posição SF, o funcionamento do aparelho irá automaticamente voltar à última**

posição usada do termostato, após 48 horas. Rode o botão do termostato de volta à posição SF e à sua utilização normal, 48 horas mais tarde.

 **Nota importante:** Se o botão do termostato estiver na posição SF quando o aparelho é iniciado pela primeira vez, o funcionamento do aparelho irá automaticamente voltar à operação na posição 3 do termostato, 48 horas após o início.

### 3.3 Avisos de Configurações de Temperatura

- A temperatura ambiente, a temperatura de alimentos frescos armazenados e a frequência com que a porta é aberta afetam a temperatura no compartimento do frigorífico. Se necessário, altere a configuração de temperatura.
- Não se recomenda que opere o seu frigorífico em ambientes mais frios do que 10°C em termos da sua eficiência.
- Aquando da configuração do termostato, tenha em consideração com que frequência as portas do eletrodoméstico são abertas e fechadas, como os alimentos são armazenados no seu frigorífico e o ambiente no qual o frigorífico está localizado.
- Quando liga o eletrodoméstico pela primeira vez, deixe que funcione continuamente durante 24 horas de modo a atingir a temperatura operativa. Durante este período, não abra a porta ou coloque uma grande quantidade de alimentos dentro do eletrodoméstico.
- Desligue da tomada o seu eletrodoméstico durante um corte de energia para evitar danos no compressor. Assim que a eletricidade for reposta, atrase a conexão da tomada no seu eletrodoméstico durante 5 a 10 minutos. Isto irá ajudar a evitar danos nos componentes do eletrodoméstico.
- O seu eletrodoméstico foi criado para operar dentro dos limites de temperatura ambiente indicados nos padrões, de acordo com a classe climática indicada

na etiqueta de informação. Não se recomenda que o seu frigorífico seja operado em ambientes que estejam fora dos limites de temperatura indicados. Isto irá reduzir a eficiência de refrigeração do eletrodoméstico.

- O seu aparelho foi criado para operar nos intervalos de temperatura ambiente (N = 16 °C - 32 °C) indicados nos padrões, de acordo com a classe climática indicada na etiqueta de informação. Não recomendamos que opere o seu aparelho fora dos limites de temperatura indicados em termos de eficiência de refrigeração. Verifique os avisos opostos.

#### **Classe climática e significado:**

**T (tropical):** Este aparelho de refrigeração destina-se a ser utilizado com temperaturas ambientes que vão dos 16 °C aos 43 °C.

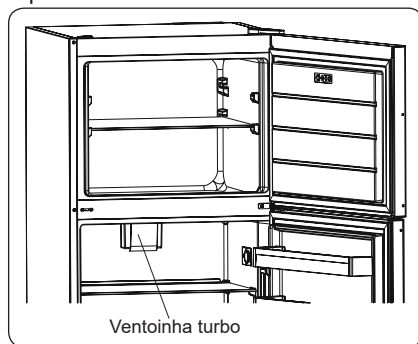
**ST (subtropical):** Este aparelho de refrigeração destina-se a ser utilizado com temperaturas ambientes que vão dos 16 °C aos 38 °C.

**N (temperado):** Este aparelho de refrigeração destina-se a ser utilizado com temperaturas ambientes que vão dos 16 °C aos 32 °C.

**SN (temperado prolongado):** Este aparelho de refrigeração destina-se a ser utilizado com temperaturas ambientes que vão dos 10 °C aos 32 °C.

#### **Ventoinha turbo (se disponível)**

Não bloqueie a entrada de ar e as aberturas de saída quando armazenar alimentos, caso contrário, a circulação de ar fornecida pela ventoinha turbo irá ficar comprometida.

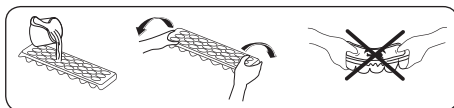


### **3.4 Acessórios**

*As descrições visuais e textuais na secção de acessórios poderão variar de acordo com o modelo do seu eletrodoméstico.*

#### **3.4.1 Bandeja de gelo**

- Encha a bandeja de gelo com água e coloque-o no compartimento de congelação.
- Após a água estar totalmente congelada, pode torcer a bandeja, tal como indicado abaixo, para remover os cubos de gelo.



### 3.4.2 Prateleira de Porta Ajustável (Em alguns modelos)

Seis diferentes ajustes de altura podem ser realizados para criar áreas de armazenamento de que necessita através da prateleira de porta ajustável.


Para alterar a posição da prateleira de porta ajustável;

Segure o fundo da prateleira e puxe os botões na lateral da prateleira de porta na direção da seta.

(Fig.1)

Posicione a prateleira de porta à altura de que necessita movendo-a para cima e para baixo.

Após obter a posição que deseja para a prateleira de porta, liberte os botões na lateral da prateleira de porta (Fig.2). Antes de libertar a prateleira de porta, mova-a para cima e para baixo para se certificar de que está fixa.

 **Nota:** Antes de mover a prateleira de porta carregada, deverá segurar a prateleira apoiando o fundo. Caso contrário, a prateleira de porta poderá cair das calhas devido ao peso. Portanto, poderão ocorrer danos na prateleira de porta ou nas calhas.

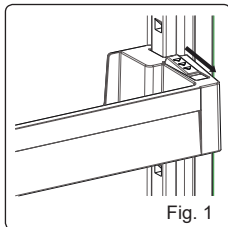


Fig. 1

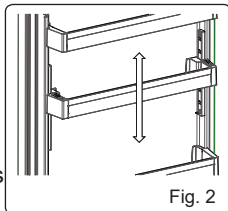
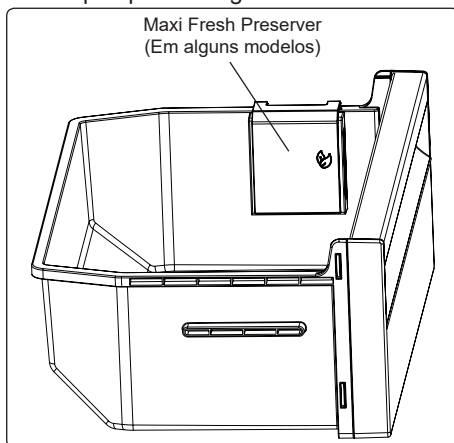
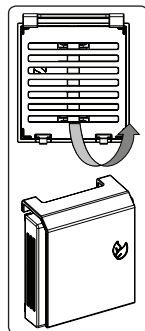


Fig. 2

### 3.4.3 Maxi-fresh preserver (Em alguns modelos)

A tecnologia Maxi Fresh Preserver ajuda a remover gás etileno (um bioproducto libertado naturalmente de alimentos frescos) e odores desagradáveis da gaveta. Desta forma, os alimentos mantêm-se frescos durante mais tempo.

- A Maxi Fresh Preserver deverá ser limpa uma vez por ano. O filtro deverá ser colocado durante 2 horas num forno a 65°C.
- Para limpar o filtro, por favor, retire a tampa traseira da caixa do filtro empurrando-a na direção da seta.
- O filtro não deve ser lavado com água ou com qualquer detergente.



Maxi Fresh Preserver  
(Em alguns modelos)

## 4 ARMAZENAMENTO DE ALIMENTOS

### 4.1 Compartimento do Frigorífico

- Para reduzir a humidade e evitar a consequente formação de gelo, armazene líquidos sempre em recipientes selados no frigorífico. O gelo tende a concentrar-se nas partes mais frias do líquido de evaporação e, em certas alturas, o seu eletrodoméstico irá exigir uma descongelação mais frequente.
- Nunca coloque alimentos quentes no compartimento do frigorífico. Alimentos quentes devem arrefecer à temperatura ambiente e devem ser organizados para assegurar uma circulação de ar adequada dentro do compartimento do frigorífico.
- Certifique-se de que nenhum item entra em contacto direto com a parede traseira do eletrodoméstico uma vez que o gelo irá desenvolver-se e a embalagem ficará colada ao mesmo. Não abra a porta do frigorífico com frequência.
- Recomendamos que carne e peixe limpos sejam embrulhados e armazenados na prateleira de vidro mesmo acima do cesto de vegetais onde o ar é mais fresco, uma vez que isto fornece melhores condições de armazenamento.
- Guarde frutas e vegetais soltos nos recipientes de gaveta.
- Guarde frutas e vegetais soltos na gaveta.
- Guardar frutas e vegetais separadamente ajuda a evitar que vegetais sensíveis ao etileno (couves, brócolos, cenoura, etc.) sejam afetados pelos frutos que libertam etileno (banana, pêssego, alperce, figo, etc.).
- Não coloque vegetais molhados no frigorífico.
- O tempo de armazenamento para todos os produtos alimentares depende da

qualidade inicial dos alimentos e de um ciclo de refrigeração ininterrupto antes do armazenamento no frigorífico.

- Para evitar a contaminação cruzada não armazene produtos de carne com frutas e vegetais. A água que sai da carne pode contaminar outros produtos no frigorífico. Deverá embalar os produtos de carne e limpar quaisquer fugas nas prateleiras.
- Não coloque alimentos em frente à passagem de fluxo de ar.
- Consuma os bens embalados antes da data de validade recomendada.



**NOTA:** Batatas, cebolas e alho não devem ser guardados no frigorífico.

- Para condições normais de funcionamento, bastará ajustar a definição de temperatura do frigorífico para +4 °C.
- A temperatura do compartimento do frigorífico deve estar compreendida entre os 0 e os 8 °C. Abaixo dos 0 °C, os alimentos frescos ficam enregelados e apodrecidos, enquanto que, acima dos 8 °C, a carga bacteriana aumenta e estraga-os.
- Não coloque alimentos quentes imediatamente no frigorífico; aguarde para que a temperatura diminua, no exterior. Os alimentos quentes aumentam os graus de temperatura do frigorífico, o que provoca intoxicações alimentares e a deterioração desnecessária dos alimentos.
- Carnes, peixes, etc., devem ser armazenados no compartimento do refrigerador dos alimentos, enquanto que o compartimento para legumes é indicado para legumes. (se disponível)
- Para evitar contaminação cruzada, os produtos à base de carne não devem ser armazenados juntamente com fruta e legumes.
- Os alimentos devem ser colocados no frigorífico em recipientes fechados ou cobertos, para impedir a entrada de humidade e maus odores.

São especificadas abaixo algumas recomendações para a colocação e armazenamento dos seus alimentos no compartimento de refrigeração.

Alimentos	Tempo máximo de armazenamento	Como e onde armazenar
Vegetais e frutas	1 semana	Cesto de vegetais
Carne e peixe	2 - 3 dias	Embrulhe em película, coloque em sacos ou num recipiente de carne e armazene na prateleira de vidro
Queijo Fresco	3 - 4 dias	Na prateleira de porta indicada
Manteiga e margarina	1 semana	Na prateleira de porta indicada
Produtos engarrafados, por exemplo, leite e iogurtes	Até à data de validade recomendada pelo produtor	Na prateleira de porta indicada
Ovos	1 mês	Na prateleira de ovos indicada
Alimentos cozinhados	2 dias	Todas as prateleiras

#### 4.2 Compartimento do Congelador

- O congelador é utilizado para armazenar alimentos congelados, congelar alimentos frescos e fazer cubos de gelo.
- Para congelar alimentos frescos, envolva-os devidamente numa embalagem hermética e estanque. O ideal são sacos específicos para congelar, folha de alumínio, sacos de polietileno e recipientes de plástico.
- Não armazene alimentos frescos próximo de alimentos congelados uma vez que podem descongelar alimentos congelados.
- Antes de congelar alimentos frescos, divida-os em porções que possam ser consumidos numa refeição.

- Consuma alimentos descongelados dentro de um curto período de tempo após a descongelação.
- Nunca coloque alimentos quentes no compartimento do congelador uma vez que irá descongelar alimentos congelados.
- Deixe sempre as instruções do fabricante na embalagem dos alimentos quando armazenar alimentos congelados. Se forem indicadas informações nos alimentos, não devem ser armazenados durante mais de 3 meses a partir da data da compra.
- Quando comprar alimentos congelados, certifique-se de que foram armazenados nas condições adequadas e que a embalagem não está danificada.
- Os alimentos congelados devem ser transportados em recipientes adequados e colocados no congelador assim que possível.
- Não adquira alimentos congelados se a embalagem mostrar sinais de humidade e inchaço anormal. É provável que tenham sido armazenados a uma temperatura inadequada e que os conteúdos se deterioraram.
- A vida de armazenamento de alimentos congelados depende da temperatura ambiente, da definição do termóstato, da frequência com que a porta é aberta, do tipo de alimentos e do tempo necessário para transportar o produto da loja até à sua casa. Siga sempre as instruções indicadas na embalagem e nunca exceda a vida de armazenamento máxima indicada.
- A quantidade máxima de alimentos frescos (em kg) que pode ser congelada em 24 horas é indicada na etiqueta do eletrodoméstico.
- Para congelar alimentos frescos, certifique-se de que tanto quanto possível a superfície dos alimentos está em contacto com a superfície de refrigeração.

**NOTA:** Se tentar abrir a porta do congelador imediatamente após a fechar, irá concluir que não irá abrir facilmente. Isto é normal. Assim que o equilíbrio tiver sido atingido, a porta irá abrir facilmente.

**Nota importante:**


- Não volte a congelar alimentos congelados.
- O sabor de algumas especiarias encontrado em pratos cozinhados (anis, manjeriço, agrião, vinagre, especiarias várias, gengibre, alho, cebola, mostarda, tomilho, manjerona, pimenta preta, etc.) altera e assumem um sabor forte quando armazenadas durante um longo período de tempo. Assim, adicione pequenas quantidades de especiarias aos alimentos a serem congelados ou a especiaria desejada deverá ser adicionada após os alimentos estarem descongelados.
- O tempo de armazenamento dos alimentos depende do tipo de óleo usado. Os óleos adequados são margarina, bezerro cevedo, azeite e manteiga. Os óleos inadequados são óleo de amendoim e gordura de porco.
- Alimentos com forma líquida devem ser congelados em recipientes de plástico e outros alimentos devem ser congelados em sacos de plástico.



A tabela abaixo é um guia rápido para lhe mostrar a forma mais eficiente de armazenar grandes grupos de alimentos no compartimento do congelador.

Carne e peixe	Preparação	Tempo máximo de armazenamento (meses)
Bife	Embrulhar em película	6 - 8
Carne de borrego	Embrulhar em película	6 - 8
Vitela para assar	Embrulhar em película	6 - 8
Cubos de vitela	Em pequenos pedaços	6 - 8
Cubos de borrego	Em pedaços	4 - 8
Carne picada	Em embalagem sem utilizar especiarias	1 - 3
Miúdos (pedaços)	Em pedaços	1 - 3
Salame/salsicha de Bolonha	Deverá ser mantido embalado mesmo que tenha membrana	
Galinha e peru	Embrulhar em película	4 - 6
Ganso e pato	Embrulhar em película	4 - 6

Carne e peixe	Preparação	Tempo máximo de armazenamento (meses)
Veado, coelho, javali	Em porções de 2,5 kg ou em bifes	6 - 8
Peixe de água fresca (Salmão, carpa, peixe-gato)	Após limpar as tripas e escamas do peixe, lavar e secar. Se necessário, remover a cauda e a cabeça.	2
Peixe magro (Robalo, rodovalho, solha)		4
Peixes gordos (Atum, cavala, peixe azul, anchovas)		2 - 4
Marisco	Limpo e num saco	4 - 6
Caviar	Na embalagem ou num recipiente de plástico ou alumínio	2 - 3
Caracóis	Em água salgada ou num recipiente de plástico ou alumínio	3

 **NOTA:** Carne congelada que tenha sido descongelada deve ser cozinhada como carne fresca. Se a carne não for cozinhada depois da congelação, não deverá ser novamente congelada.


Vegetais e frutas	Preparação	Tempo máximo de armazenamento (meses)
Feijão verde e feijões	Lave, corte em pedaços pequenos e ferva em água	10 - 13
Feijões	Descasque, lave e ferva em água	12
Couve	Limpe e ferva em água	6 - 8
Cenoura	Limpe, corte em pedaços e ferva em água	12
Pimento	Corte o pedúnculo, corte em dois pedaços, remova o interior e ferva em água	8 - 10
Espinafre	Lave e ferva em água	6 - 9
Couve-flor	Retire as folhas, corte o coração em pedaços e deixe em água com um pouco de sumo de limão durante algum tempo	10 - 12
Beringela	Corte em pedaços de 2cm após lavar	10 - 12
Milho	Limpe e embale com o carolo ou como milho doce	12
Maçã e pera	Descasque e corte	8 - 10
Alperce e pêssego	Corte em dois pedaços e remova o caroço	4 - 6
Morango e amora	Lave e descasque	8 - 12
Frutos cozinhados	Adicione 10 % de açúcar ao recipiente	12
Ameixa, cereja, bagas	Lave e descasque os pés	8 - 12


	Tempo máximo de armazenamento (meses)	Tempo de descongelamento à temperatura ambiente (horas)	Tempo de descongelamento no forno (minutos)
Pão	4 - 6	2 - 3	4-5 (220-225 °C)
Bolachas	3 - 6	1 - 1,5	5-8 (190-200 °C)
Bolos	1 - 3	2 - 3	5-10 (200-225 °C)
Tarte	1 - 1,5	3 - 4	5-8 (190-200 °C)


	Tempo máximo de armazenamento (meses)	Tempo de descongelamento à temperatura ambiente (horas)	Tempo de descongelamento no forno (minutos)
Massa levedada	2 - 3	1 - 1,5	5-8 (190-200 °C)
Pizza	2 - 3	2 - 4	15-20 (200 °C)

Produtos lácteos	Preparação	Tempo máximo de armazenamento (meses)	Condições de armazenamento
Pacote de leite (Homogeneizado)	Na embalagem	2 - 3	Leite puro - na embalagem
Queijo - excluindo queijo branco	Em fatias	6 - 8	A embalagem original poderá ser utilizada para armazenamento a curto prazo. Manter embrulhada em película durante longos períodos.
Manteiga, margarina	Na embalagem	6	

## 5 LIMPEZA E MANUTENÇÃO

 Desconecte a unidade da alimentação elétrica antes de limpar.

 Não lave o seu eletrodoméstico colocando-lhe água.

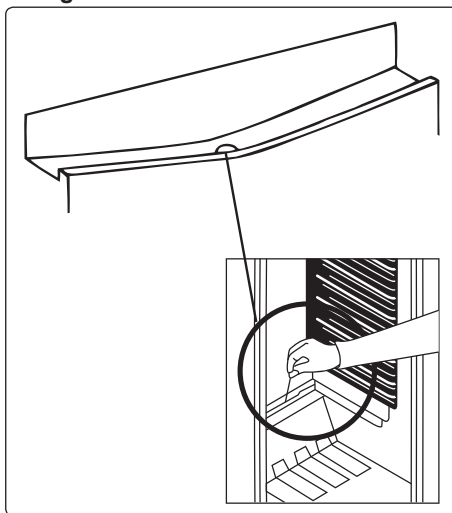
 Não utilize produtos abrasivos, detergentes ou sabões para limpar o eletrodoméstico. Após a lavagem, enxague com água limpa e seque cuidadosamente. Quando tiver terminado a limpeza, volte a ligar a ficha à alimentação elétrica com as mãos secas.

- Certifique-se de que nenhuma água entra no revestimento da lâmpada e outros componentes elétricos.
- O eletrodoméstico deve ser limpo com regularidade utilizando uma solução de bicarbonato de soda e água morna.
- Limpe os acessórios separadamente à mão com sabão e água. Não lave os acessórios na máquina de lavar loiça.
- Limpe o condensador com uma escova, pelo menos, duas vezes por ano. Isto irá ajudar a poupar energia e a aumentar a produtividade.

 **A alimentação elétrica deverá ser desconectada durante a limpeza.**

### 5.1 Descongelação

#### Descongela o compartimento do frigorífico



- O descongelamento ocorre automaticamente no compartimento do frigorífico durante o funcionamento. A água é recolhida pela bandeja de evaporação e evapora automaticamente.
- A bandeja de evaporação e o orifício de drenagem de água devem ser limpos periodicamente com a tampa de drenagem de descongelamento para



evitar que a água se acumule no fundo do frigorífico ao invés de fluir para fora.

- Poderá ainda limpar o orifício de drenagem deitando meio copo de água no mesmo.


### Compartmento do Congelador

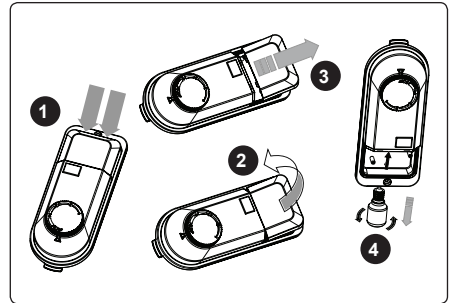
O gelo acumulado no compartimento do congelador deverá ser removido com regularidade (utilizar a espátula de plástico fornecida). O compartimento do congelador deverá ser limpo da mesma forma que o compartimento do frigorífico, com a função de descongelação, pelo menos, duas vezes por ano.

#### Para tal:

- No dia antes da congelação, defina o marcador do termóstato para a posição «5» para os alimentos congelarem totalmente.
- Durante a descongelação, os alimentos congelados deverão ser embrulhados em várias camadas de papel e mantidos num local fresco. O aumento inevitável na temperatura irá encurtar a vida útil. Lembre-se de utilizar os alimentos dentro de um período de tempo relativamente curto.
- Coloque o botão giratório do termóstato para a posição “•” e desconecte o eletrodoméstico da alimentação principal. Deixe a porta aberta até que a unidade esteja totalmente descongelada.
- Para acelerar o processo de descongelamento, coloque uma ou mais tigelas de água quente no compartimento do congelador.
- Seque o interior da unidade cuidadosamente e coloque o botão giratório do termóstato para a posição MAX.


## 5.2 Substituição da Lâmpada de Luz

 **Nota importante:** Desligue a unidade da tomada antes de iniciar o processo.



1. Pressione os ganchos na tampa da lâmpada. (Fig. 1)
2. Após retirar o invólucro dos ganchos superiores, abra a tampa da lâmpada na direção da seta. (Fig. 2)
3. Puxe a tampa na direção da seta para removê-la. (Fig. 3)
4. Vire o temporizador da lâmpada de iluminação no sentido dos ponteiros do relógio e remova-o. (Fig. 4)
5. Mude a lâmpada incandescente por uma nova de não mais de 15 W. (Fig. 4)
6. Execute os passos em ordem inversa.
7. Após aguardar 5 minutos, ligue a unidade.


### Substituir a iluminação LED

 Se o seu frigorífico tiver iluminação LED, contacte o atendimento ao cliente uma vez que esta só deve ser substituída por pessoal autorizado para tal.

## 6 ENVIO E REPOSICIONAMENTO

### 6.1 Transportar e alterar o posicionamento

- A embalagem original e a espuma podem ser guardadas para novo transporte (opcional).
- Segure o seu eletrodoméstico com embalagem espessa, fitas ou cordas fortes e siga as instruções de transporte indicadas na embalagem.
- Remova todas as partes móveis (prateleiras, acessórios, cestos de vegetais, e etc.) e fixe-as ao eletrodoméstico contra choques utilizando fitas aquando da alteração de posicionamento ou transporte.

 Transporte sempre o seu eletrodoméstico na posição vertical.

### 6.2 Reposicionar a Porta

- Não é possível alterar a direção de abertura da porta do seu eletrodoméstico se as pegas da porta estiverem instaladas na superfície frontal da porta do eletrodoméstico.
- É possível alterar a direção de abertura da porta em modelos sem pegas.
- Se a direção de abertura da porta do seu eletrodoméstico puder ser alterada, contacte o Centro de Serviço Autorizado mais próximo para alterar a direção de abertura.

## 7 ANTES DE CONTACTAR O SERVIÇO PÓS-VENDAS

Se o seu frigorífico não estiver a funcionar corretamente, poderá haver um pequeno problema. Verifique o seguinte.

### O eletrodoméstico não funciona

#### Verifique se:

- Existe alimentação elétrica
- Se a alimentação principal está desconectada
- A definição do termóstato está na posição “\*”
- A tomada está avariada. Para verificar isto, ligue outro eletrodoméstico a funcionar à mesma tomada.

### O eletrodoméstico tem um desempenho fraco

#### Verifique se:

- O eletrodoméstico está sobrecarregado
- As portas estão bem fechadas
- Existe qualquer pó no condensador
- Existe espaço suficiente perto das paredes traseiras e laterais

### O eletrodoméstico é ruidoso

O gás de refrigeração que circula no circuito do frigorífico poderá fazer um ligeiro ruído (som borbulhento) mesmo quando o compressor não está a funcionar. Não se preocupe, isto é normal. Se ouvir um som diferente, verifique se:

- O eletrodoméstico está nivelado
- Há algo em contacto com a traseira do eletrodoméstico
- Se objetos no eletrodoméstico estão a vibrar.

### Existe água na parte inferior do frigorífico

#### Verifique se:

O orifício de drenagem para a água não está entupido (utilize a tomada de drenagem de descongelação para limpar o orifício de drenagem).

### Recomendações

- Se a unidade estiver desligada ou desconectada da tomada, deverá esperar, pelo menos, 5 minutos antes

de reiniciar ou voltar a ligar à tomada o eletrodoméstico de modo a não danificar o compressor.

- A unidade de refrigeração do seu frigorífico localiza-se na traseira do eletrodoméstico. Assim, gotas de águas ou gelo poder-se-ão formar na superfície traseira do seu frigorífico devido à operação do compressor em intervalos específicos. Isto é normal, não existe necessidade de realizar uma operação de descongelação a menos que haja gelo em excesso.
- Se não tiver intenção de utilizar o frigorífico durante um longo período de tempo (como por exemplo, durante as férias de verão), defina o termostato para a posição “•”, descongele e limpe o frigorífico, deixando a porta aberta para evitar a formação de mofo e odor.
- Se persistir um problema após ter seguido as instruções acima, consulte o centro de serviço autorizado mais próximo.
- O eletrodoméstico que adquiriu foi criado apenas para uso doméstico. Não é adequado para utilização comercial ou comum. Se o consumidor utilizar o eletrodoméstico de forma a que não cumpra com isto, enfatizamos que o fabricante e o revendedor não serão responsáveis por qualquer reparação ou avaria dentro do período de garantia.

## 8 DICAS PARA POUPAR ENERGIA

1. Instale o eletrodoméstico num local fresco e bem ventilado, mas fora do alcance da luz direta do sol ou longe de uma fonte de calor (como por exemplo, um radiador ou forno) caso contrário, deve ser utilizada uma placa de isolamento.
2. Deixe que alimentos e bebidas quentes arrefeçam antes de os colocar dentro do eletrodoméstico.
3. Coloque alimentos a descongelar no compartimento do frigorífico. A baixa temperatura dos alimentos congelados irá ajudar a refrigerar o compartimento do frigorífico enquanto os alimentos são descongelados. Isto irá poupar energia. Alimentos congelados deixados a descongelar fora do eletrodoméstico irão resultar num desperdício de energia.
4. Bebidas e outros líquidos deverão ser tapados quando dentro do eletrodoméstico. Se deixados destapados, a humidade dentro do eletrodoméstico irá aumentar, assim, o eletrodoméstico usa mais energia. Manter bebidas e outros líquidos destapados ajuda a preservar o seu odor e sabor.
5. Evite manter as portas abertas durante longos períodos e abrir as portas com muita frequência uma vez que ar quente irá entrar no eletrodoméstico e fazer com que o compressor ligue com frequência desnecessária.
6. Mantenha as tampas de diferentes compartimentos (como por exemplo, a gaveta e o refrigerador) fechadas.
7. A junta da porta deverá estar limpa e ser maleável. Substitua as juntas, se desgastadas.
8. É possível armazenar mais alimentos removendo a prateleira do congelador. O consumo de energia é declarado com a carga máxima e sem a prateleira do congelador.

## 9 DADOS TÉCNICOS

As informações técnicas encontram-se na placa de características existente no lado interno do aparelho e na etiqueta de energia.

O código QR na etiqueta de energia fornecida com o aparelho disponibiliza um link da web para a informação relacionada com o desempenho do aparelho na base de dados de EU EPREL. Mantenha a etiqueta de energia para consulta juntamente com o manual do utilizador e todos os outros documentos disponibilizados com este aparelho.

É também possível encontrar a mesma informação na EPREL utilizando o link <https://eprel.ec.europa.eu> e o nome do modelo e número do produto que encontra na placa de classificação do aparelho.

## 10 INFORMAÇÃO PARA TESTES

A instalação e preparação do aparelho para qualquer verificação EcoDesign deve estar em conformidade com EN 62552.

Os requisitos de ventilação, dimensões de encaixe e folgas traseiras mínimas deverão ser conforme declarado neste Manual do Utilizador no [parte 2](#).

Contacte o fabricante para quaisquer informações adicionais, incluindo planos de carga.

## 11 SERVIÇO E ASSISTÊNCIA AO CONSUMIDOR

Utilize sempre as peças sobresselentes originais.

Quando entrar em contacto com o nosso Centro de Serviço Autorizado, garanta que tenha os seguintes dados disponíveis: Modelo, Número de Série e o Índice de Serviço (SI).

A informação pode ser encontrada no rótulo do produto. Sujeito a modificações sem aviso prévio.

As peças sobresselentes originais para alguns componentes específicos estão disponíveis por um período de 10 anos desde a colocação no mercado da última unidade do modelo.

Visite o nosso website para:  
[www.vestel.com](http://www.vestel.com)





CE



52319219

