

Felt Fine

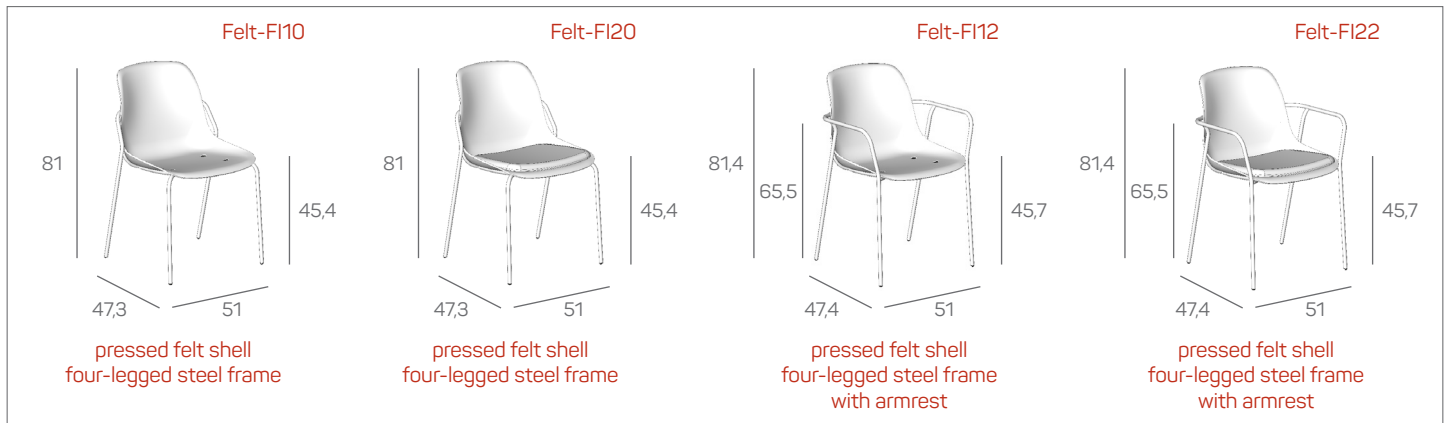
Felt Fine is a slender chair range with a seat shell made from recycled PET bottles.

The tubular frame closely follows the organically shaped felt seat shell part. This is not only beautiful to look at, it also allows a compact stacking of the chairs.

The design of the seat is comfortable in material and seat contour. The Felt Fine is part of the sustainable Felt family.



Felt Fine colour - without armrest



Specifications

- shell light grey or anthracite: made from 100% recycled post-consumer PET felt
- shell in colour: shell consists mostly of post-consumer PET felt
- materials are not glued together and are therefore easy to disassemble and recycle at the end of their useful life
- four-legged steel frame without armrests
- four-legged wooden frame with armrests
- stackable (only for chairs in the same version: armrest/armrest or without armrest/without armrest)

Materials

- steel components of frame epoxied: colours in accordance with colour charts "Epoxy and lacquer Core Collection" and "Epoxy and lacquer Trend Collection"
- fabric choice cushion various fabric groups; in accordance with colour chart
- colour choice seat shell; colours according to colour chart "Felt"

Options

- shell in colour: choice of 8 colours
- seat cushion fabric group (available for all models / Felt-FI20 and Felt-FI22)
- easy to change gliders made of felt
- armrest cover made of recycled plastic anthracite (FI12 / 22)



Quality labels



- shell from pressed felt made from post consumer recycled PET bottles (see specifications)
- Oeko-Tex-certified PET-felt
- NEN-EN 16139 (safety, strength and durability)
- seat and back pads: responsible certified FSC® wood
- upholstery: large range of sustainable fabrics
- GS-certification: German standard for safe use